

# Parts Catalog

## 50in Bagger

### Zero-Turn-Radius Riding Mower

Model No. 79398—Serial No. 40000000 and Up



# Ordering Replacement Parts

To order replacement parts, please supply the part number, the quantity, and the description of each part desired.

## Understanding Reference Numbers

Each identified part in an illustration has a reference number. The reference number for a part also appears in the parts list, along with other information about the part.

This catalog uses two special reference number formats, one to indicate parts in a service assembly and another to indicate the quantity of a given part in an illustration.

## Service Assembly Reference Numbers

Parts in service assemblies have reference numbers in the form a:b. The a represents the reference number of the entire service assembly and the b represents a sequential number unique to each part within the service assembly.

For example, a wheel assembly might be identified by reference number 6, the tire by 6:1, the valve by 6:2, and the wheel by 6:3. When you order the assembly identified by reference number 6, you receive all parts identified by reference numbers 6:1, 6:2, and 6:3. However, you may also order any part individually. Reference numbers of this type appear in illustration and in parts lists.

## Reference Numbers Indicating Quantity

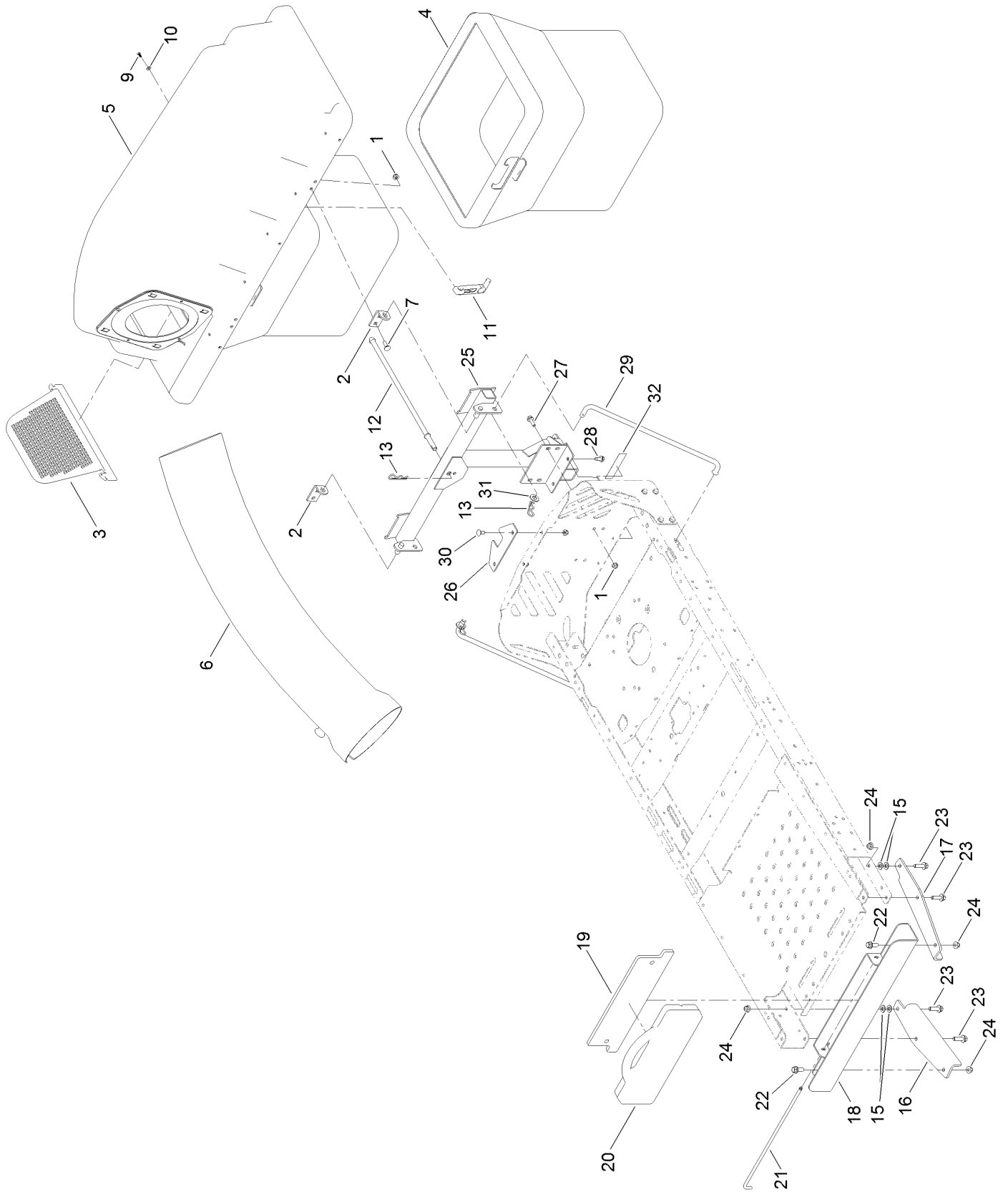
In an illustration, if a reference number indicates more than one part, the reference number has the form nX y. The n represents the quantity of the part, the X is the multiplication symbol, and the y represents the reference number.

For example, in an illustration, the reference number 2X 37 means that two of the parts identified by reference number 37 are indicated.

# Contents

Bagger and Bracket Assembly .....	4
Bag Assembly No. 112-3994 .....	6
Bagger Top Assembly No. 131-8654 .....	8
50 Inch Chute Mounting Assembly .....	10
50 Inch Chute Assembly No. 121-5651 .....	11

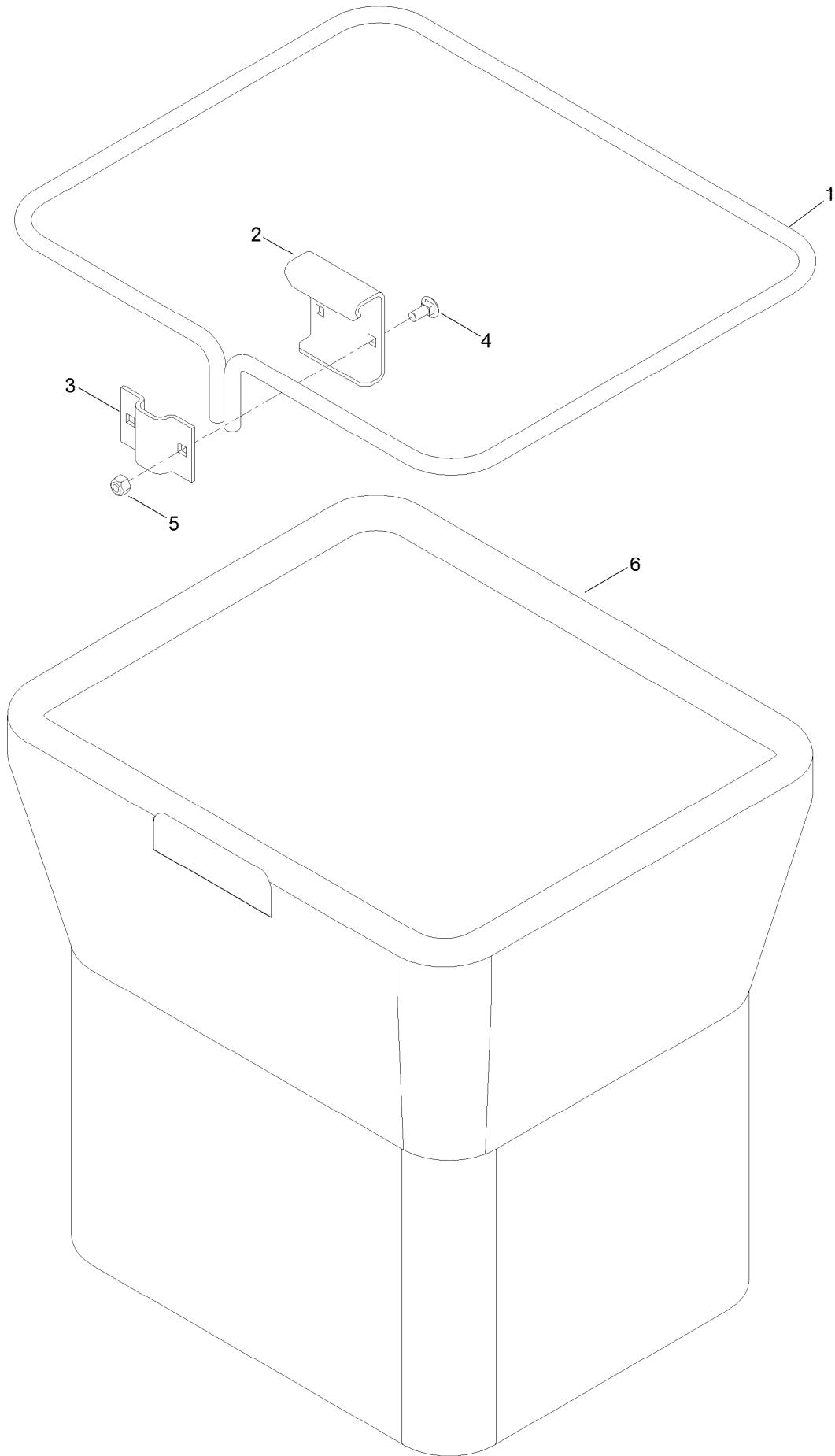
# Bagger and Bracket Assembly



## Bagger and Bracket Assembly (continued)

<i>Ref.</i>	<i>Part Number</i>	<i>Qty.</i>	<i>Description</i>	<i>Ref.</i>	<i>Part Number</i>	<i>Qty.</i>	<i>Description</i>
1	104-8300	8	Nut-HF, NI	18	120-5491-03	1	Channel-Weight, Bagger
2	112-3987	2	Bracket-Pivot, Hopper	19	120-5495-03	1	Plate
3	112-3993	1	Screen-Bagger	20	109-9742-05	1	Weight-35 Pound
4	112-3994	2	Bag ASM	21	109-9759	1	Pin-Weight
5	131-8654	1	Bagger Top ASM	22	3234-42	2	Screw-HHF
6	117-5379	1	Tube-Bagger	23	119-4061	4	Screw-HHF
7	3230-2	4	Bolt-CARR	24	104-8301	4	Nut-HF, NI
9	132-6919	2	Screw-Plastite	25	133-4320-03	1	Pivot Frame ASM
10	3256-77	2	Washer-Flat	26	131-3967-03	1	Bracket-Stabilizer
11	116-4992	1	Latch-Rubber	27	3234-29	2	Screw-HHF
12	131-4189	1	Rod-Hood, Down (Hold)	28	32144-70	2	Screw-Thd Roll, HWH
13	3290-355	3	Pin-Hair	29	136-5593	2	Rod-Support
15	3256-24	4	Washer-Flat	30	3230-1	2	Bolt-CARR
16	120-5502-03	1	Bracket-Bagger Weight, RH	31	3256-26	2	Washer-Flat
17	120-5497-03	1	Bracket-Bagger Weight, LH	32	131-4036	1	Decal

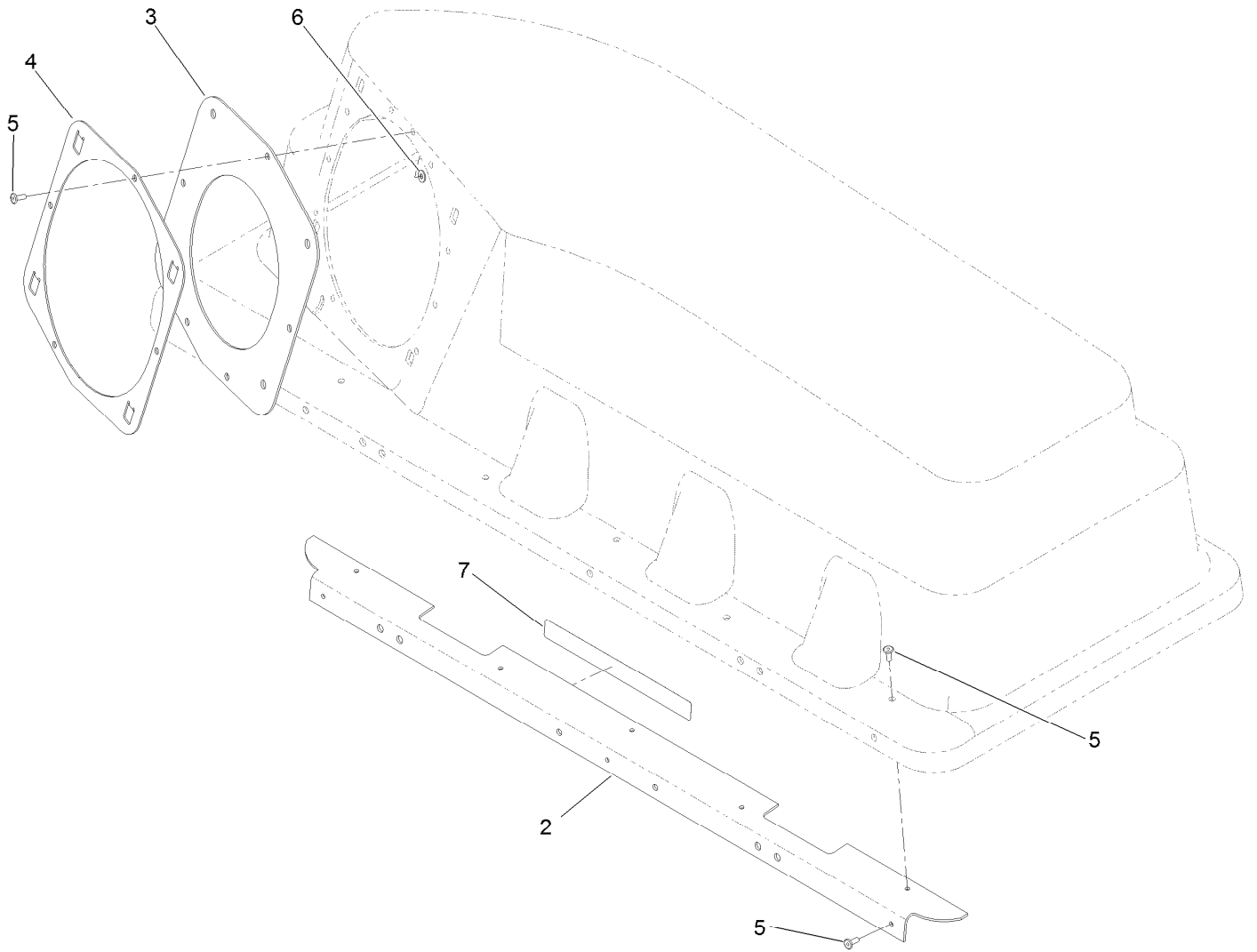
# Bag Assembly No. 112-3994



## Bag Assembly No. 112-3994 (continued)

<i>Ref.</i>	<i>Part Number</i>	<i>Qty.</i>	<i>Description</i>	<i>Ref.</i>	<i>Part Number</i>	<i>Qty.</i>	<i>Description</i>
1	114972-03	1	Frame-Bag	4	3230-1	2	Bolt-CARR
2	114973-03	1	Hanger-Bag	5	3296-29	2	Nut-Lock, NI
3	114974-03	1	Clamp	6	110-6674	1	Bag

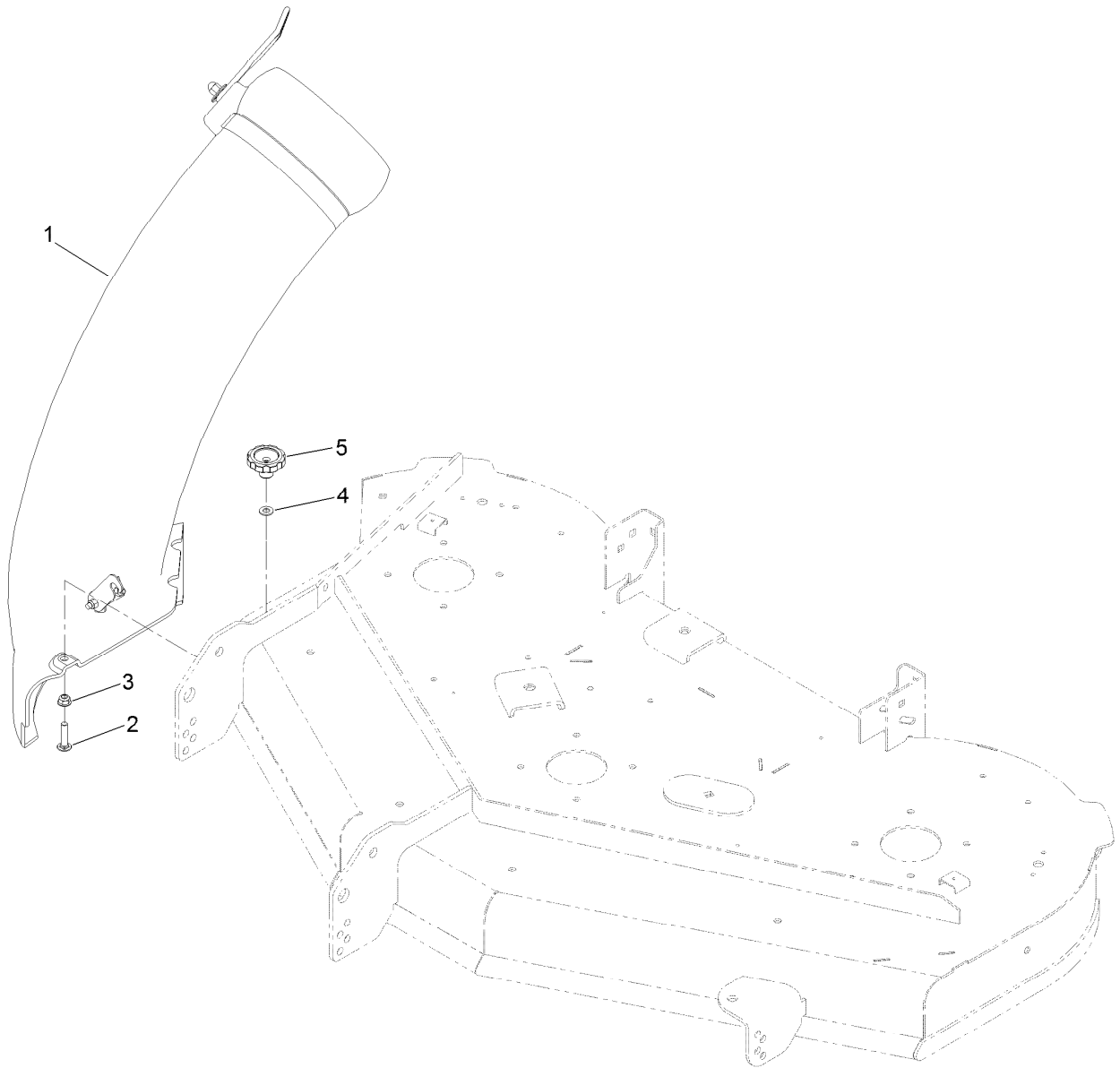
# Bagger Top Assembly No. 131-8654





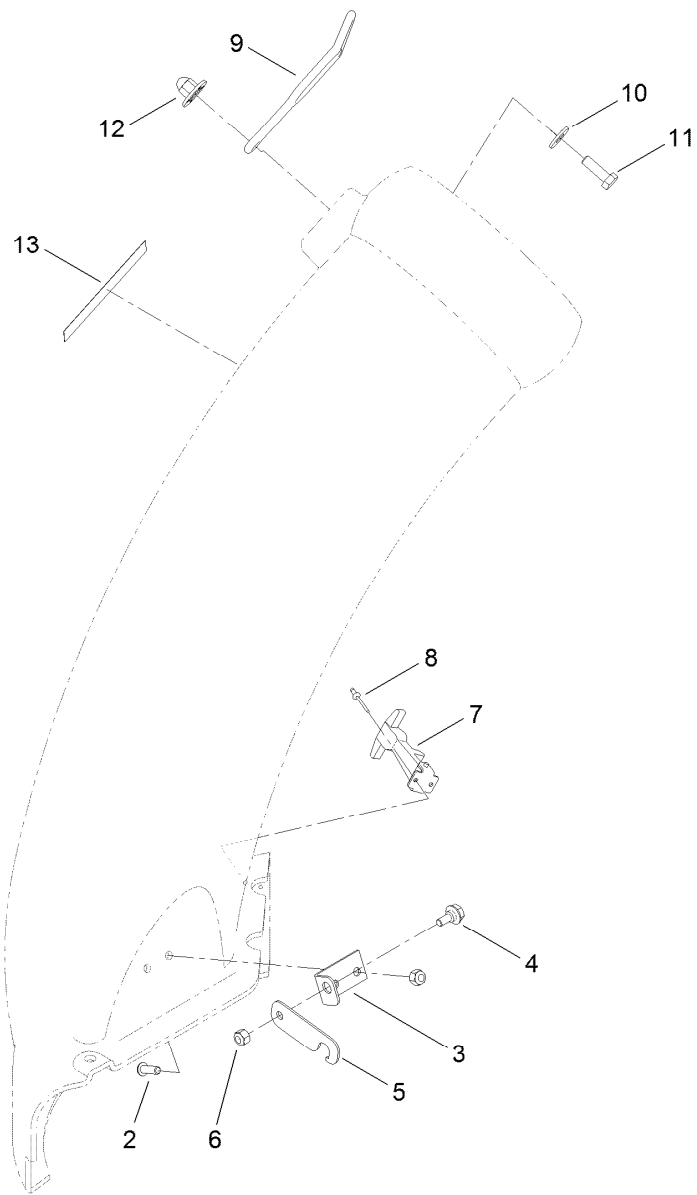
## Bagger Top Assembly No. 131-8654 (continued)

<i>Ref.</i>	<i>Part Number</i>	<i>Qty.</i>	<i>Description</i>	<i>Ref.</i>	<i>Part Number</i>	<i>Qty.</i>	<i>Description</i>
2	116-1242-03	1	Stiffener-Bagger Top	5	114439	12	Rivet-Blind
3	112-4001	1	Gasket	6	9202704	4	Washer-Flat
4	112-4000-03	1	Ring-Retainer	7	109-6809	1	Decal-Caution, Bagger



## 50 Inch Chute Mounting Assembly

<i>Ref.</i>	<i>Part Number</i>	<i>Qty.</i>	<i>Description</i>
1	121-5651	1	50 Inch Chute ASM
2	112-6950	1	Screw-CARR
3	104-8300	1	Nut-HF, NI
4	3256-23	1	Washer-Plain
5	19-4050	1	Knob



## 50 Inch Chute Assembly No. 121-5651

<i>Ref.</i>	<i>Part Number</i>	<i>Qty.</i>	<i>Description</i>
2	3274-69	2	Screw-HSBH
3	112-4038	1	Plate-Pivot
4	120-7024	1	Screw-Shoulder, HHF
5	121-0760	1	Latch
6	3296-42	3	Nut-Lock, NI
7	117344	1	Handle ASM
8	3269-31	2	Rivet-Pop
9	82-5690	1	Retainer-Duct
10	3256-3	1	Washer-Flat
11	322-5	1	Screw-HH
12	114-9015	1	Nut-Impeller
13	110-6691	1	Decal-Danger

