



**Count on it.**

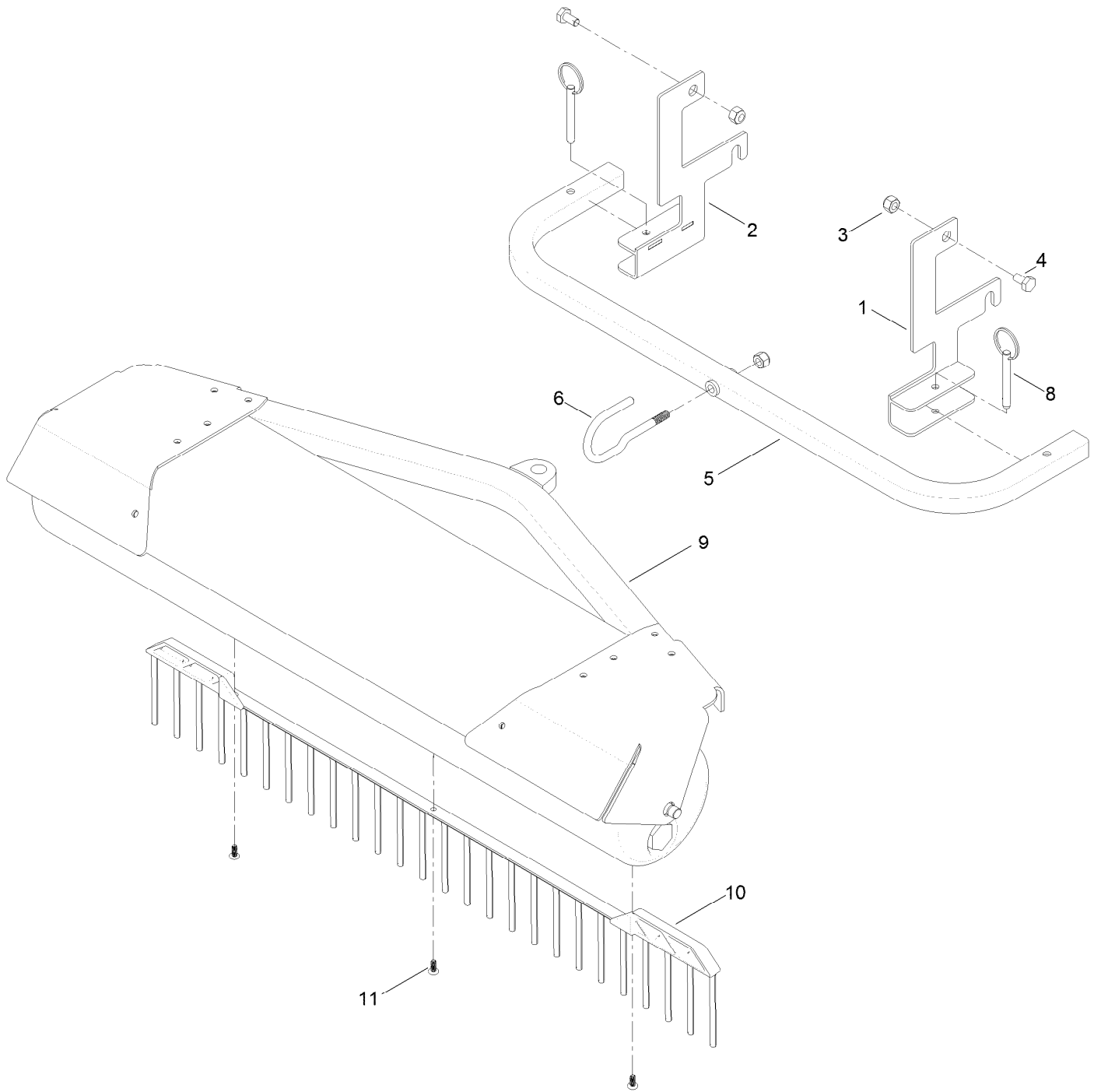
**Parts Catalog**

**Lawn Striping Kit with 30in Roller  
Walk-Behind Lawn Mowers**

Model No. 20602



# Lawn Striping Kit



## Lawn Striping Kit (continued)

<i>Ref.</i>	<i>Part Number</i>	<i>Qty.</i>	<i>Description</i>	<i>Ref.</i>	<i>Part Number</i>	<i>Qty.</i>	<i>Description</i>
1	131-0805	1	Mount-RH	6	131-0808	1	Hook
2	131-0806	1	Mount-LH	8	131-0809	2	Pin-Spring
3	3296-42	3	Nut-Lock, NI	9	131-0810	1	Trailer-Striper, Lawn
4	321-2	2	Screw-HH	10	131-0811	1	Comb
5	131-0807	1	Frame	11	131-0812	3	Screw-PPH



**Count on it.**