



**Count on it.**

**Parts Catalog**

**Super Recycler®**

**Lawn Mower**

Model No. 21381—Serial No. 402000000 and Up



# Ordering Replacement Parts

To order replacement parts, please supply the part number, the quantity, and the description of each part desired.

## Understanding Reference Numbers

Each identified part in an illustration has a reference number. The reference number for a part also appears in the parts list, along with other information about the part.

This catalog uses two special reference number formats, one to indicate parts in a service assembly and another to indicate the quantity of a given part in an illustration.

## Service Assembly Reference Numbers

Parts in service assemblies have reference numbers in the form a:b. The a represents the reference number of the entire service assembly and the b represents a sequential number unique to each part within the service assembly.

For example, a wheel assembly might be identified by reference number 6, the tire by 6:1, the valve by 6:2, and the wheel by 6:3. When you order the assembly identified by reference number 6, you receive all parts identified by reference numbers 6:1, 6:2, and 6:3. However, you may also order any part individually. Reference numbers of this type appear in illustration and in parts lists.

## Reference Numbers Indicating Quantity

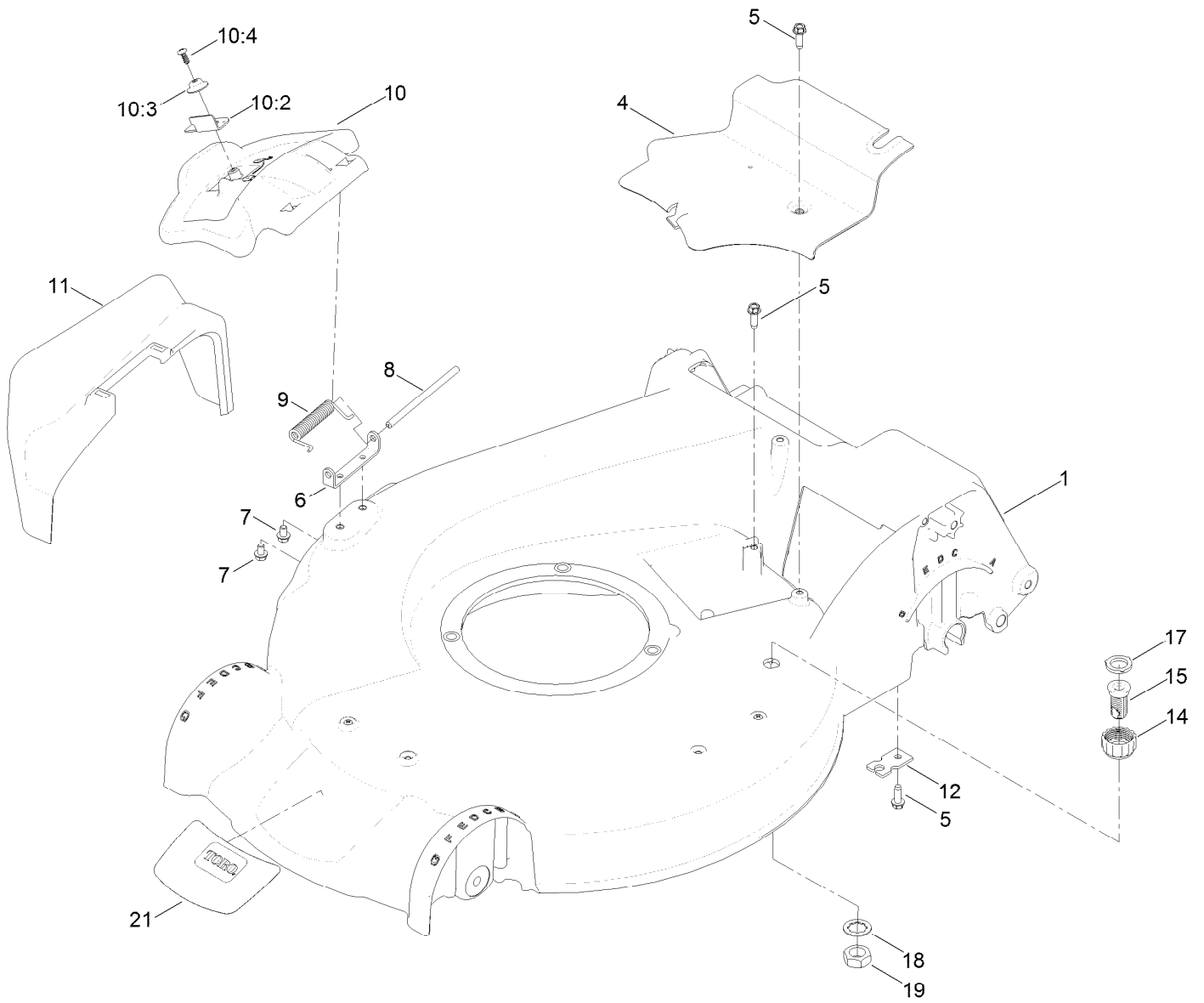
In an illustration, if a reference number indicates more than one part, the reference number has the form nX y. The n represents the quantity of the part, the X is the multiplication symbol, and the y represents the reference number.

For example, in an illustration, the reference number 2X 37 means that two of the parts identified by reference number 37 are indicated.

# Contents

|  |    |
|--|----|
| Frame Assembly.....                          | 4  |
| Housing Assembly No. 115-2854 .....          | 6  |
| Discharge Tunnel Assembly .....              | 8  |
| Bag Assembly .....                           | 10 |
| Engine and Blade Assembly .....              | 12 |
| Fuel System Assembly .....                   | 14 |
| Air Intake and Filtration Assembly .....     | 16 |
| Ignition and Electrical Assembly .....       | 18 |
| Crankcase Assembly .....                     | 20 |
| Governor Assembly .....                      | 22 |
| Piston and Cylinder Head Assembly .....      | 24 |
| Blower Housing Assembly .....                | 26 |
| Front Wheel and Height-of-Cut Assembly ..... | 28 |
| Rear Wheel and Height-of-Cut Assembly .....  | 30 |
| Handle Assembly .....                        | 32 |
| Attachments and Accessories .....            | 34 |

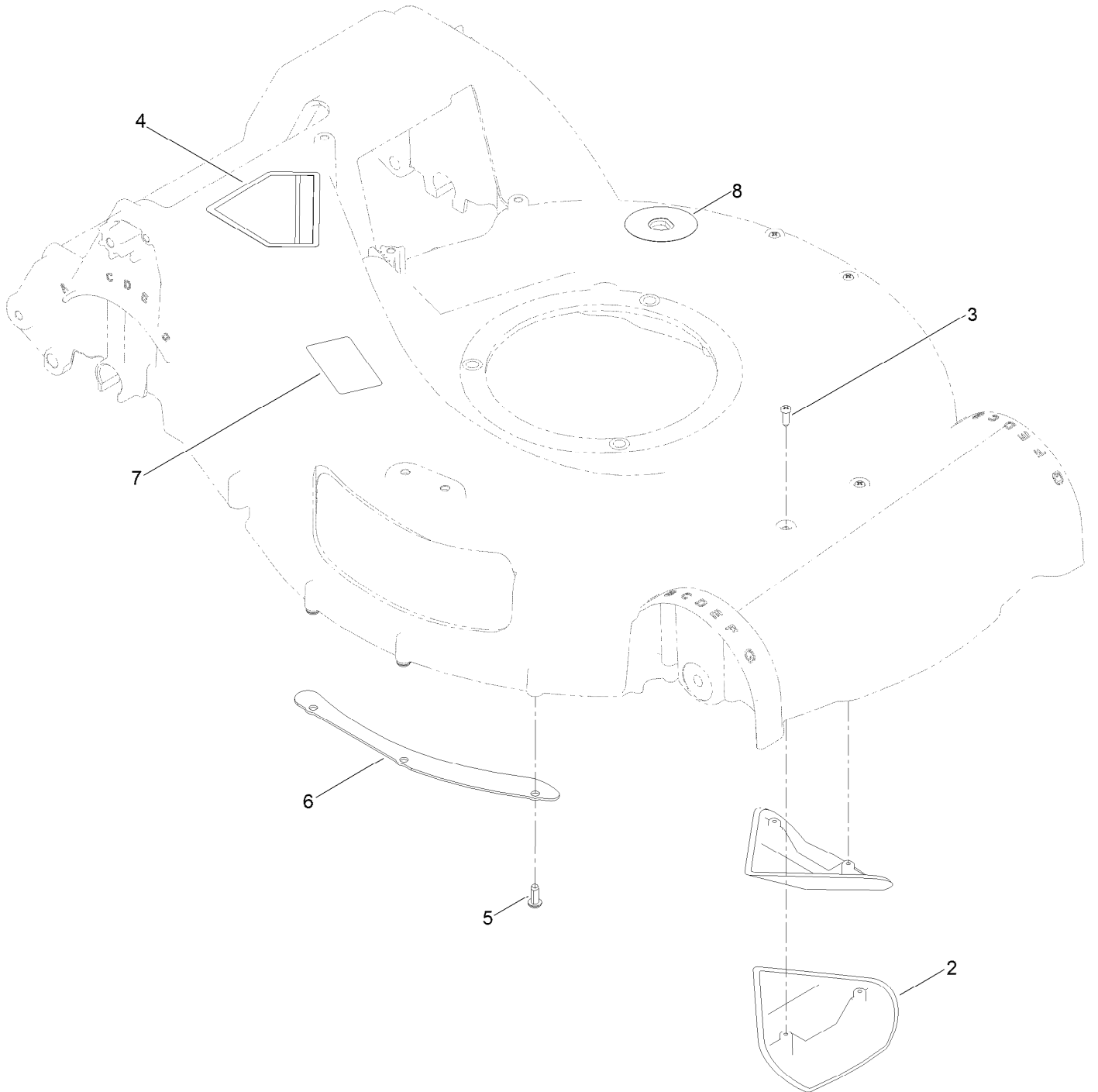
# Frame Assembly



## Frame Assembly (continued)

| <i>Ref.</i> | <i>Part Number</i> | <i>Qty.</i> | <i>Description</i> | <i>Ref.</i> | <i>Part Number</i> | <i>Qty.</i> | <i>Description</i>          |
|-------------|--------------------|-------------|--------------------|-------------|--------------------|-------------|-----------------------------|
| 1           | 115-2854           | 1           | Housing ASM        | 10:4        | 107-7461           | 1           | Screw-Plastite              |
| 4           | 107-7494           | 1           | Cover-Belt         | 11          | 108-3753           | 1           | Chute-Discharge, Side       |
| 5           | 49-2040            | 2           | Screw-HWHTF        | 12          | 107-7497           | 1           | Bracket-Cable, Traction     |
| 6           | 112-6416           | 1           | Bracket-Cover      | 14          | 112-6401           | 1           | Coupling-Hose, Washout Port |
| 7           | 99-8445            | 2           | Screw-HWH          | 15          | 112-6400           | 1           | Port-Washout                |
| 8           | 99-5291            | 1           | Rod-Cover          | 17          | 112-6438           | 1           | Washer-Seal, Washout Port   |
| 9           | 99-5293            | 1           | Spring-Torsion     | 18          | 3254-5             | 1           | Washer-Tooth, Internal      |
| 10          | 107-3717           | 1           | Discharge Door ASM | 19          | 3218-6             | 1           | Nut-Jam                     |
| 10:2        | 107-0795           | 1           | Latch-Door         | 21          | 136-7097           | 1           | Decal-Deck                  |
| 10:3        | 107-7456           | 1           | Cap-Door           |             |                    |             |                             |

# Housing Assembly No. 115-2854

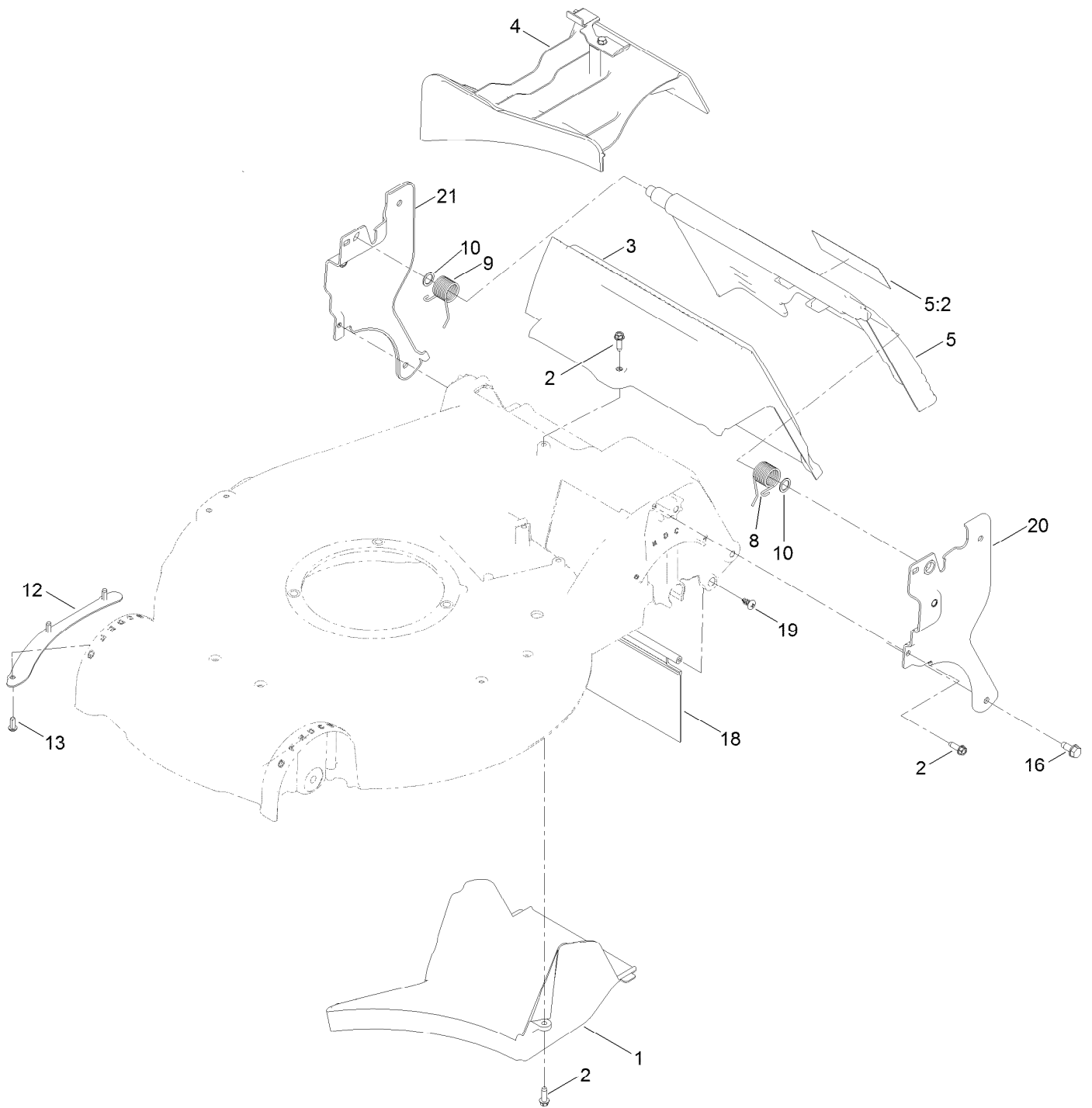


# Housing Assembly No. 115-2854 (continued)

| <i>Ref.</i> | <i>Part Number</i> | <i>Qty.</i> | <i>Description</i> |
|-------------|--------------------|-------------|--------------------|
| 2           | 108-3798           | 2           | Kicker-Housing     |
| 3           | 32144-111          | 4           | Screw-PPH          |
| 4           | 94-8072            | 1           | Decal-Danger       |
| 5           | 63-8590            | 3           | Screw              |

| <i>Ref.</i> | <i>Part Number</i> | <i>Qty.</i> | <i>Description</i>    |
|-------------|--------------------|-------------|-----------------------|
| 6           | 105-1316-03        | 1           | Sheet-Lip             |
| 7           | 125-5092           | 1           | Decal-Placement, Foot |
| 8           | 137-9196           | 1           | Decal-Quick Wash      |

# Discharge Tunnel Assembly

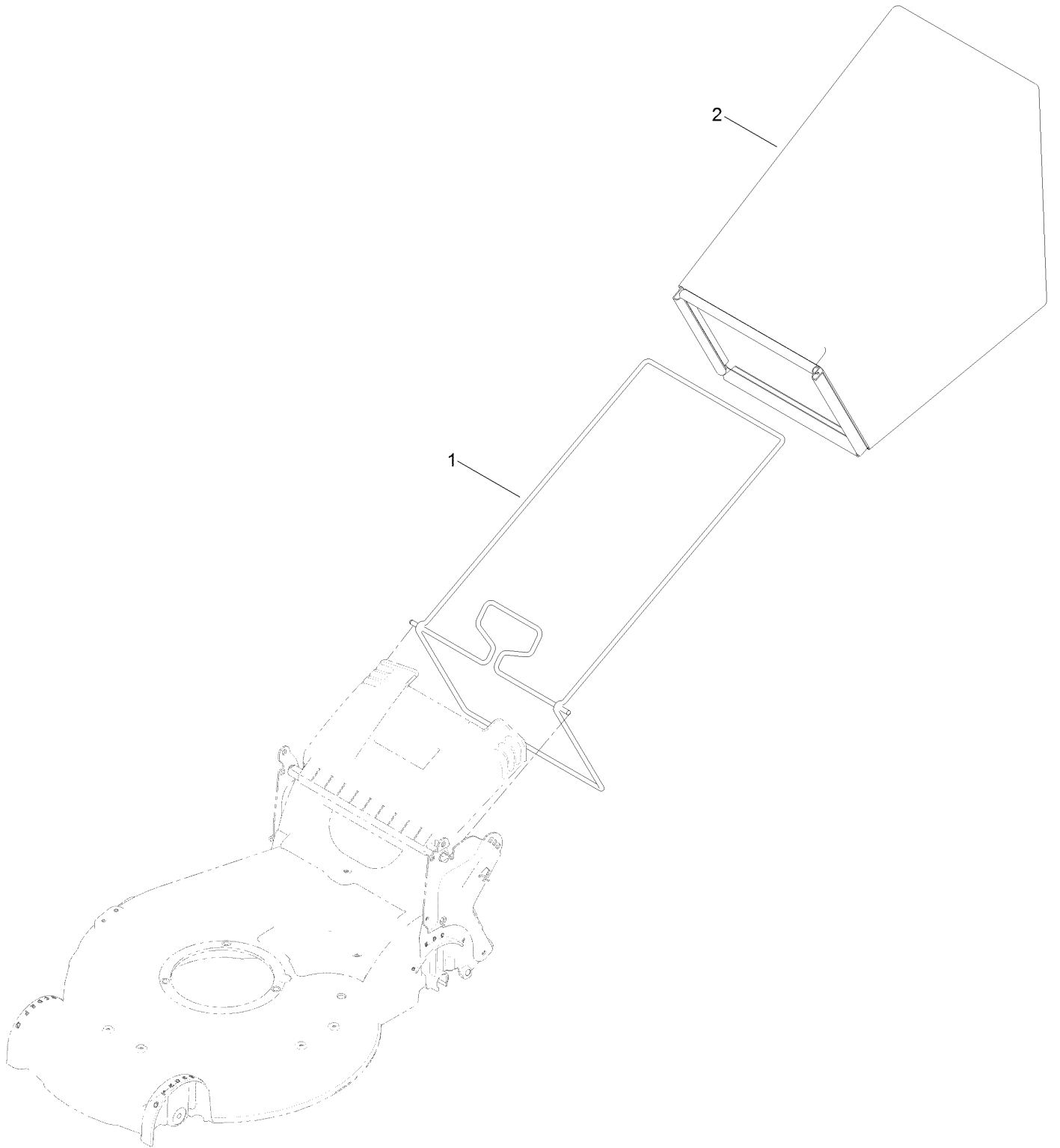




## Discharge Tunnel Assembly (continued)

| <i>Ref.</i> | <i>Part Number</i> | <i>Qty.</i> | <i>Description</i> | <i>Ref.</i> | <i>Part Number</i> | <i>Qty.</i> | <i>Description</i> |
|-------------|--------------------|-------------|--------------------|-------------|--------------------|-------------|--------------------|
| 1           | 107-7495           | 1           | Tunnel-Discharge   | 10          | 94-8196            | 2           | Washer-Nylon       |
| 2           | 49-2040            | 5           | Screw-HWHTF        | 12          | 105-1316-03        | 1           | Sheet-Lip          |
| 3           | 114-2668           | 1           | Chute              | 13          | 63-8590            | 3           | Screw              |
| 4           | 115-8413           | 1           | Mulch Plug ASM     | 16          | 32144-11           | 2           | Screw-HWHTF        |
| 5           | 137-9139           | 1           | Rear Door ASM      | 18          | 120-7011           | 1           | Shield-Trailing    |
| 5:2         | 131-4514           | 1           | Decal-Warning      | 19          | 117-1092           | 2           | Screw-PTH          |
| 8           | 115-2859           | 1           | Spring-Torsion     | 20          | 137-9108           | 1           | Plate-Handle, LH   |
| 9           | 114-7924           | 1           | Spring-Torsion     | 21          | 137-9107           | 1           | Plate-Handle, RH   |

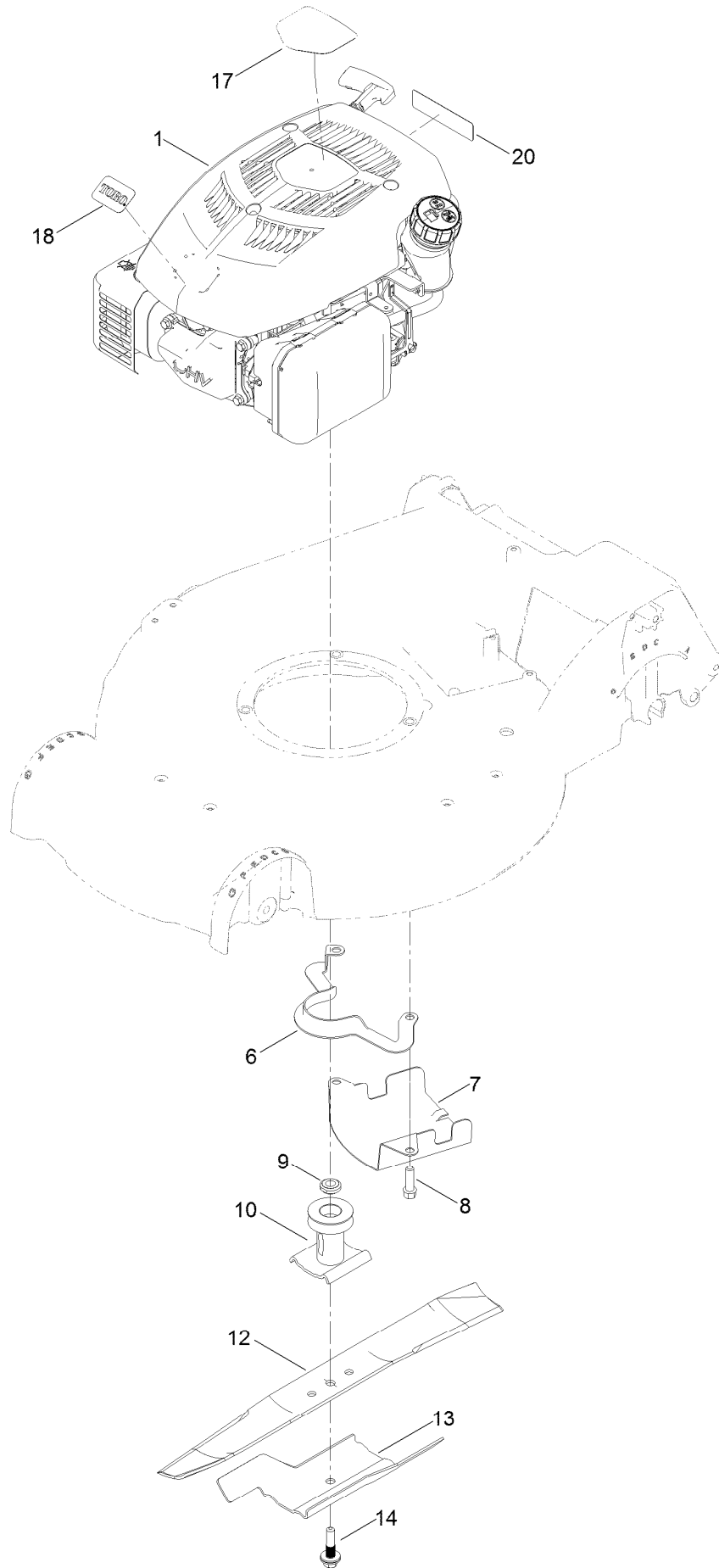
# Bag Assembly



## Bag Assembly (continued)

| <i>Ref.</i> | <i>Part Number</i> | <i>Qty.</i> | <i>Description</i> |
|-------------|--------------------|-------------|--------------------|
| 1           | 132-4529-03        | 1           | Bag Frame ASM      |
| 2           | 114-2664           | 1           | Grass Bag ASM      |

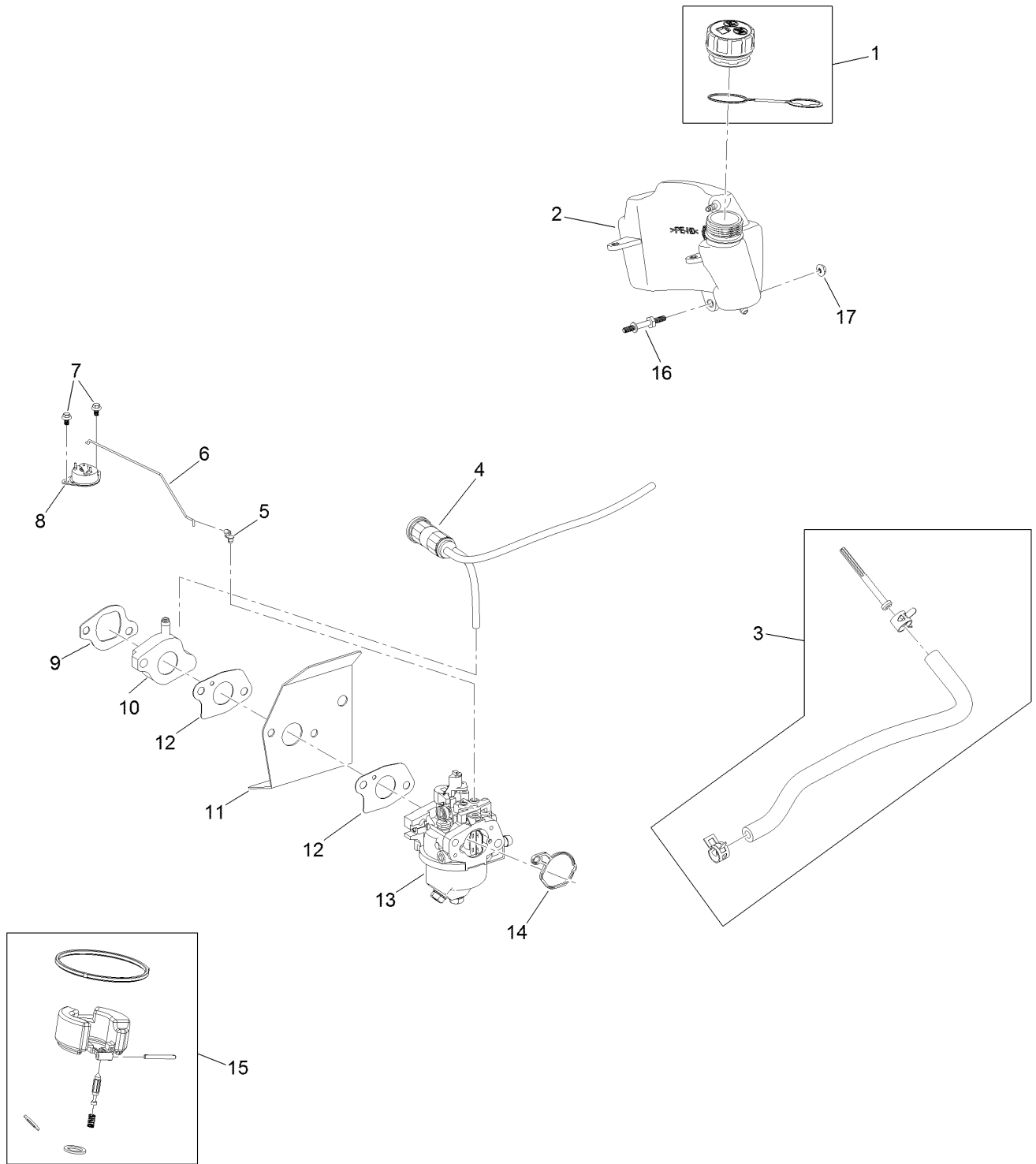
# Engine and Blade Assembly



## Engine and Blade Assembly (continued)

| <i>Ref.</i> | <i>Part Number</i> | <i>Qty.</i> | <i>Description</i> | <i>Ref.</i> | <i>Part Number</i> | <i>Qty.</i> | <i>Description</i>    |
|-------------|--------------------|-------------|--------------------|-------------|--------------------|-------------|-----------------------|
| 1           | 136-7857           | 1           | Engine-1P65F-2     | 12          | 108-3762-03        | 1           | Blade-Recycling       |
| 6           | 108-8110-03        | 1           | Guide-Belt         | 13          | 105-6848-03        | 1           | Accelerator-Blade     |
| 7           | 107-7489-03        | 1           | Shield-Grass       | 14          | 125-2466           | 1           | Bolt-Blade            |
| 8           | 95-1727            | 3           | Screw-Taptite      | 17          | 136-9054           | 1           | Decal-Shroud          |
| 9           | 106-3999           | 1           | Spacer-Driver      | 18          | 136-5863           | 1           | Decal                 |
| 10          | 106-3987           | 1           | Driver-Blade       | 20          | 117-2718           | 1           | Decal-Arrester, Spark |

# Fuel System Assembly

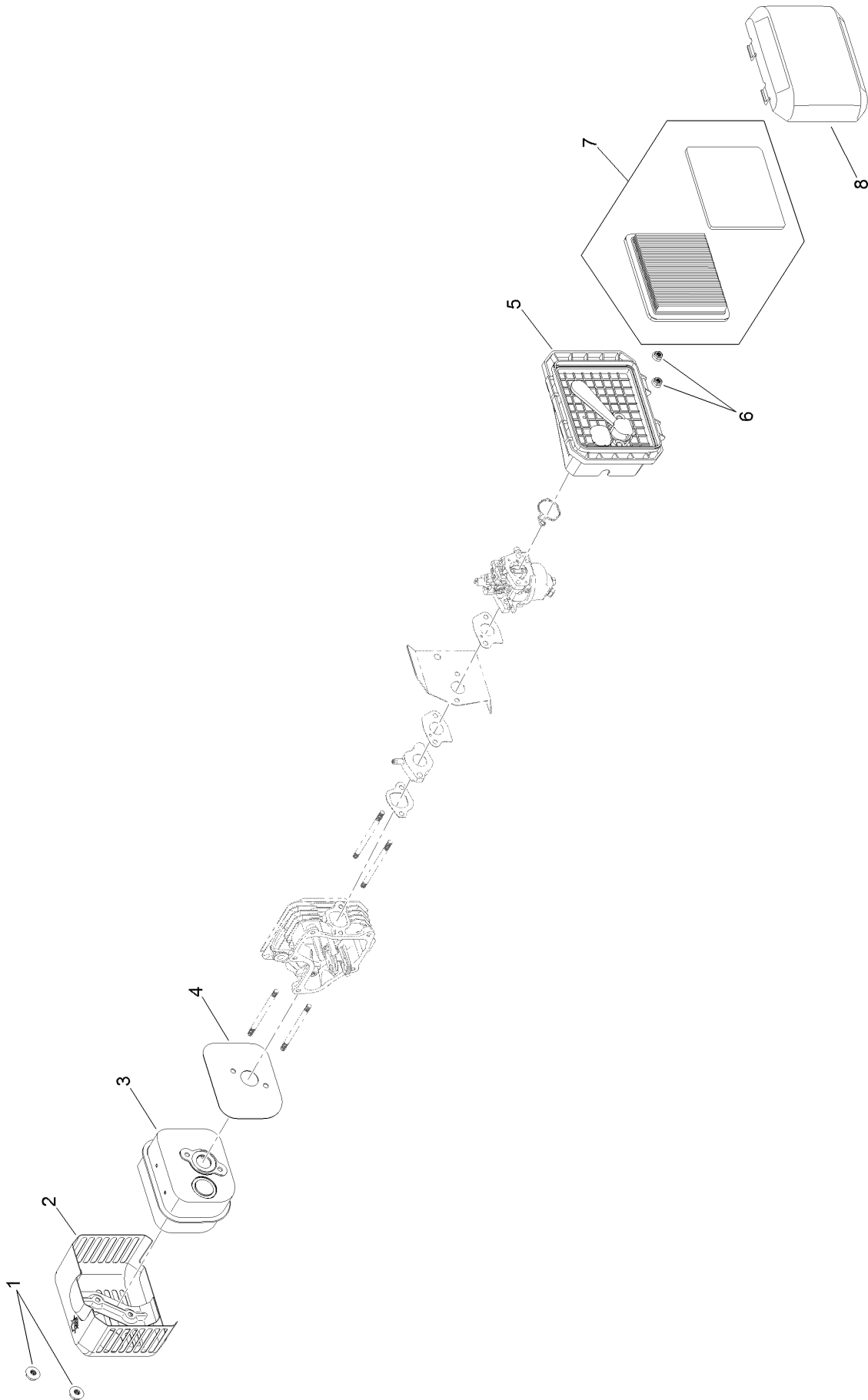


## Fuel System Assembly (continued)

| <i>Ref.</i> | <i>Part Number</i> | <i>Qty.</i> | <i>Description</i>     | <i>Ref.</i> | <i>Part Number</i> | <i>Qty.</i> | <i>Description</i>        |
|-------------|--------------------|-------------|------------------------|-------------|--------------------|-------------|---------------------------|
| 1           | 136-7875           | 1           | Cap-Fuel, Sealed       | 10          | 133-9902           | 1           | Spacer-Carburetor         |
| 2           | 133-9888           | 1           | Tank-Fuel              | 11          | 133-9901           | 1           | Insulator-Carburetor      |
| 3           | 121-4167           | 1           | Fuel Line Kit          | 12          | 121-4184           | 2           | Gasket-Carburetor         |
| 4           | 133-9874           | 1           | Canister-Carbon, 19 Cc | 13          | 133-9900           | 1           | Carburetor                |
| 5           | 120-4451           | 1           | Lock-Throttle          | 14          | 133-9899           | 1           | Gasket-Carburetor         |
| 6           | 133-9909           | 1           | Linkage-Choke, Thermal | 15          | 127-9395           | 1           | Internal Carb Service Kit |
| 7           | 133-9908           | 2           | Screw-HWHTF            | 16          | 121-0016           | 1           | Bolt-Stud                 |
| 8           | 133-9907           | 1           | Control-Thermal        | 17          | 120-4236           | 1           | Nut-Flange                |
| 9           | 121-4183           | 1           | Gasket-Intake          | 99          | 133-9943           | 1           | High Altitude Kit ●       |

● Not illustrated

# Air Intake and Filtration Assembly

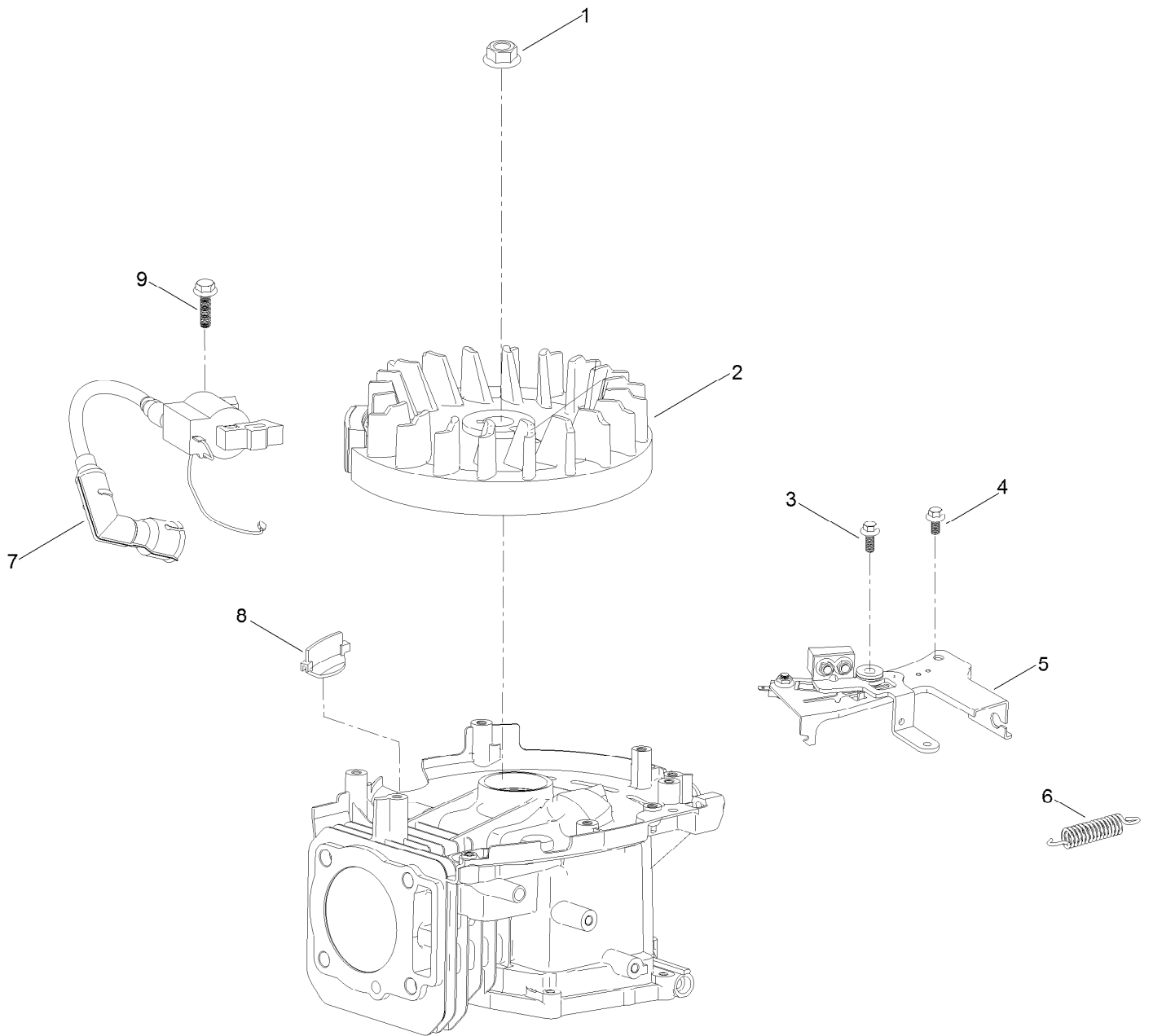




## Air Intake and Filtration Assembly (continued)

| <i>Ref.</i> | <i>Part Number</i> | <i>Qty.</i> | <i>Description</i> | <i>Ref.</i> | <i>Part Number</i> | <i>Qty.</i> | <i>Description</i>           |
|-------------|--------------------|-------------|--------------------|-------------|--------------------|-------------|------------------------------|
| 1           | 121-0010           | 2           | Nut-Flange         | 5           | 133-9928           | 1           | Air Cleaner Base             |
| 2           | 133-9906           | 1           | Shield-Muffler     | 6           | 120-4236           | 2           | Nut-Flange                   |
| 3           | 121-0166           | 1           | Muffler ASM        | 7           | 119-1909           | 1           | Air Filter And Prefilter Kit |
| 4           | 121-0034           | 1           | Gasket-Exhaust     | 8           | 121-0364           | 1           | Cover-Cleaner, Air           |

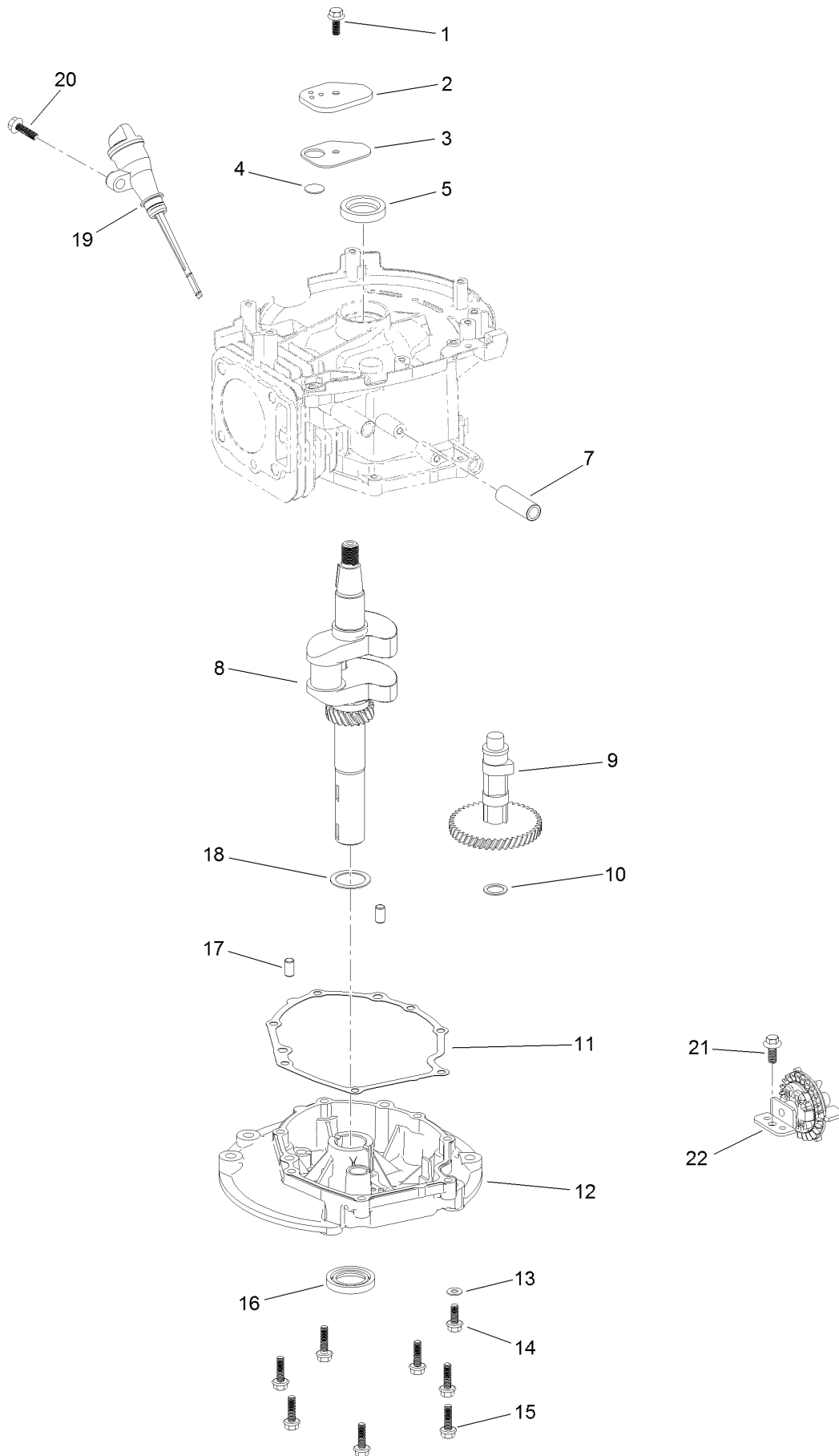
# Ignition and Electrical Assembly



## Ignition and Electrical Assembly (continued)

| <i>Ref.</i> | <i>Part Number</i> | <i>Qty.</i> | <i>Description</i> | <i>Ref.</i> | <i>Part Number</i> | <i>Qty.</i> | <i>Description</i> |
|-------------|--------------------|-------------|--------------------|-------------|--------------------|-------------|--------------------|
| 1           | 121-0047           | 1           | Nut-Flange         | 6           | 133-9890           | 1           | Spring-Brake       |
| 2           | 133-9876           | 1           | Flywheel           | 7           | 136-7870           | 1           | Ignition Coil ASM  |
| 3           | 121-0007           | 1           | Bolt-Flange        | 8           | 133-9881           | 1           | Guard-Flywheel     |
| 4           | 120-4232           | 1           | Screw-HHF          | 9           | 120-4225           | 1           | Screw-HHF          |
| 5           | 136-7872           | 1           | Brake ASM          |             |                    |             |                    |

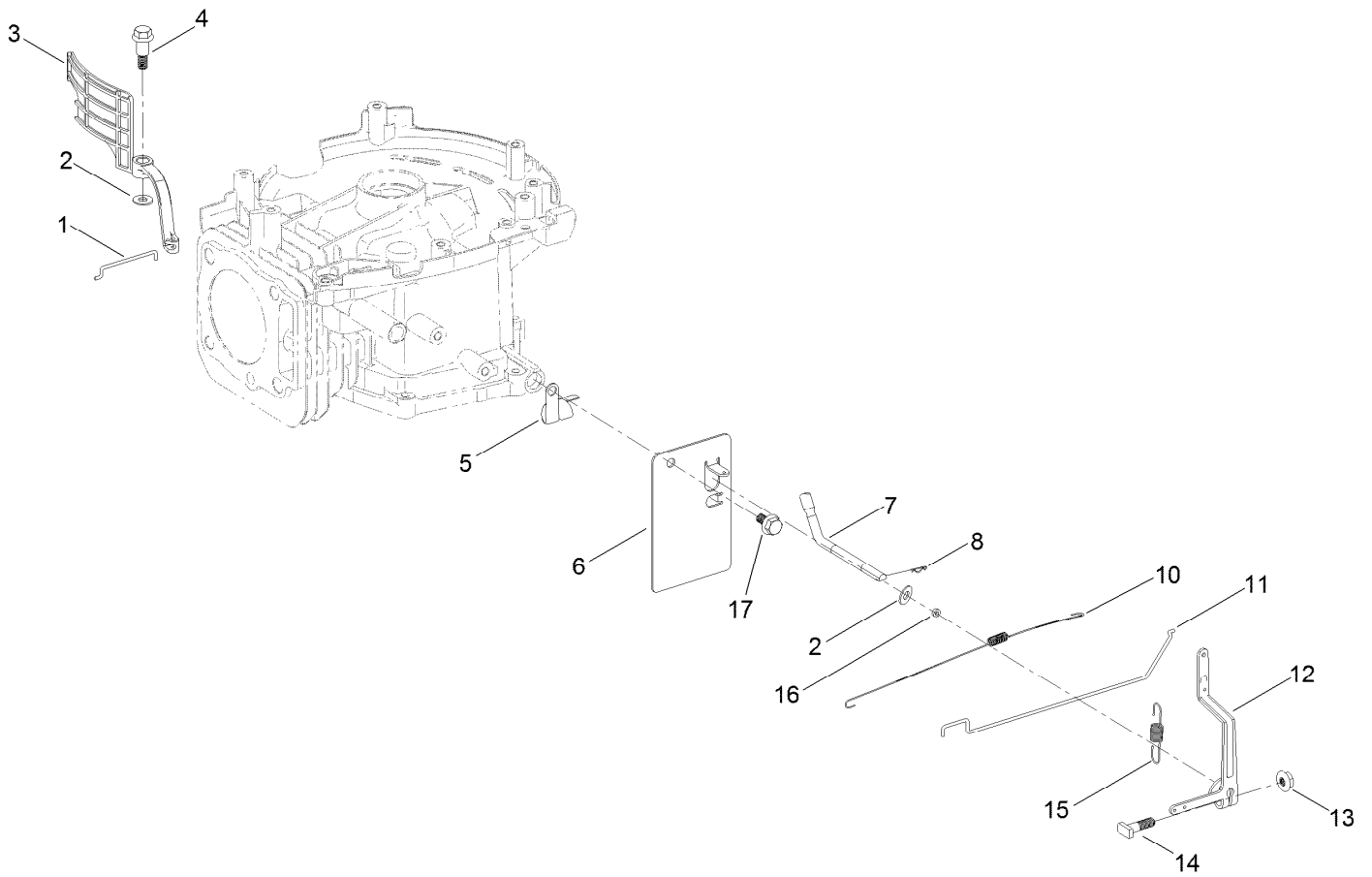
# Crankcase Assembly



## Crankcase Assembly (continued)

| <i>Ref.</i> | <i>Part Number</i> | <i>Qty.</i> | <i>Description</i>     | <i>Ref.</i> | <i>Part Number</i> | <i>Qty.</i> | <i>Description</i>         |
|-------------|--------------------|-------------|------------------------|-------------|--------------------|-------------|----------------------------|
| 1           | 120-4216           | 1           | Screw-HHF              | 13          | 121-0048           | 1           | Washer-Plain               |
| 2           | 133-9882           | 1           | Cover-Breather         | 14          | 121-0030           | 1           | Screw-HHF                  |
| 3           | 133-9883           | 1           | Gasket-Cover, Breather | 15          | 120-4223           | 7           | Screw-HHF                  |
| 4           | 133-9884           | 1           | Valve-Breather         | 16          | 121-0022           | 1           | Seal-Oil                   |
| 5           | 121-0019           | 1           | Seal-Oil               | 17          | 121-0054           | 2           | Pin-Dowel                  |
| 7           | 133-9911           | 1           | Tube-Breather          | 18          | 136-7863           | 1           | Washer-Flat (M25.4X34X1)   |
| 8           | 133-9894           | 1           | Crankshaft ASM         | 19          | 133-9886           | 1           | Dipstick And Fill Tube Kit |
| 9           | 121-4174           | 1           | Camshaft ASM           | 20          | 121-0007           | 1           | Bolt-Flange                |
| 10          | 121-0051           | 1           | Washer-Flat            | 21          | 121-0369           | 1           | Screw-HWH, Thd Form        |
| 11          | 133-9895           | 1           | Gasket-Cover, Case     | 22          | 136-7864           | 1           | Governor Gear ASM          |
| 12          | 133-9897           | 1           | Cover-Crankcase        |             |                    |             |                            |

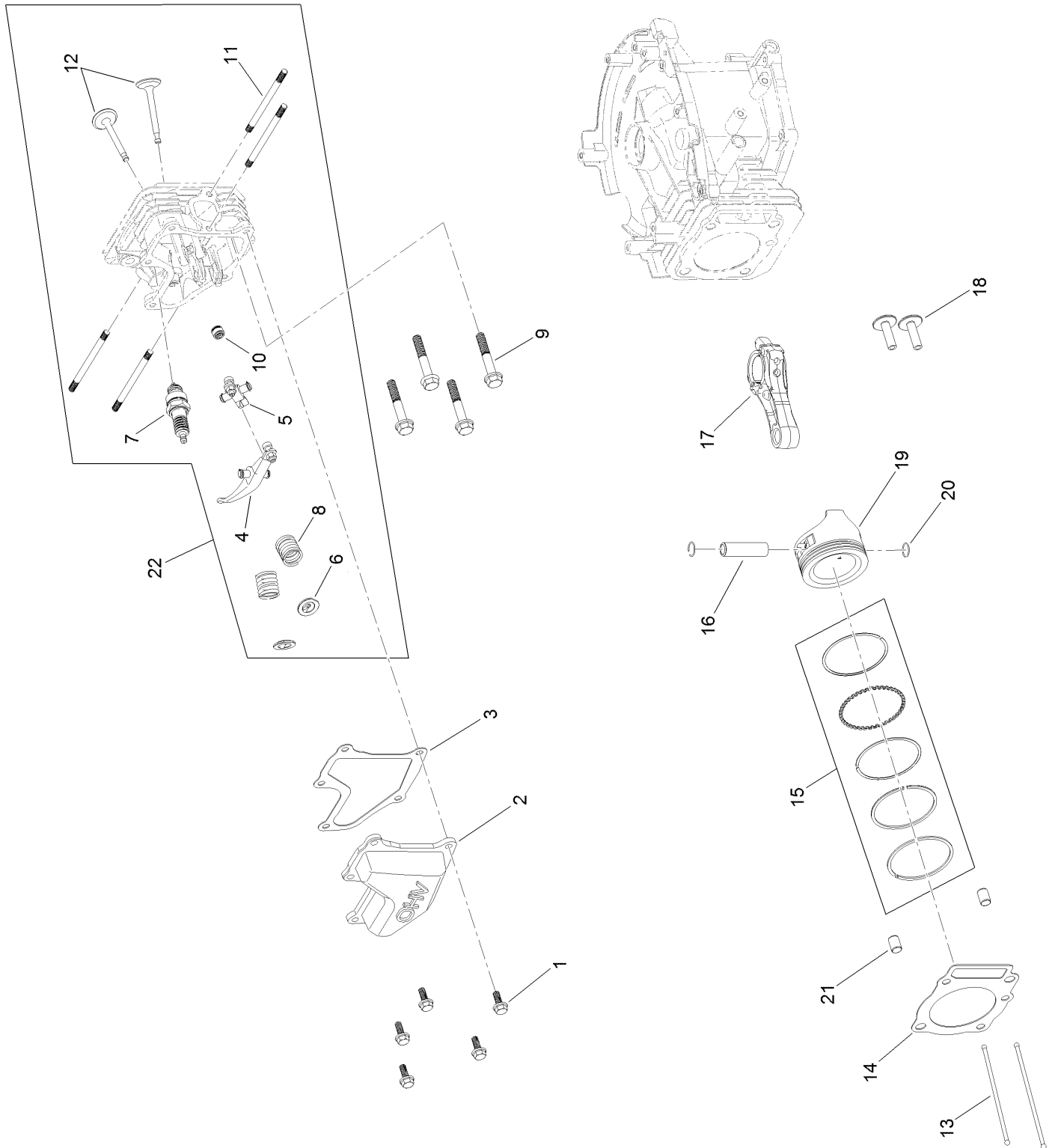
# Governor Assembly



## Governor Assembly (continued)

| <i>Ref.</i> | <i>Part Number</i> | <i>Qty.</i> | <i>Description</i>      | <i>Ref.</i> | <i>Part Number</i> | <i>Qty.</i> | <i>Description</i>      |
|-------------|--------------------|-------------|-------------------------|-------------|--------------------|-------------|-------------------------|
| 1           | 133-9880           | 1           | Linkage-Choke           | 10          | 121-0023           | 1           | Spring-Return, Throttle |
| 2           | 136-7866           | 2           | Washer-Flat             | 11          | 133-9892           | 1           | Rod-Governor            |
| 3           | 133-9879           | 1           | Air Vane-Autochoke      | 12          | 121-0028           | 1           | Arm-Governor            |
| 4           | 127-9196           | 1           | Screw-Shoulder, HWH     | 13          | 120-4236           | 1           | Nut-Flange              |
| 5           | 121-0017           | 1           | Clip-Harness, Wire      | 14          | 120-4238           | 1           | Bolt-Arm, Governor      |
| 6           | 133-9891           | 1           | Plate-Control, Throttle | 15          | 133-9893           | 1           | Spring-Governor         |
| 7           | 136-7865           | 1           | Arm-Governor            | 16          | 121-0021           | 1           | Seal-Oil                |
| 8           | 120-4256           | 1           | Pin-Hair                | 17          | 120-4216           | 1           | Screw-HHF               |

# Piston and Cylinder Head Assembly

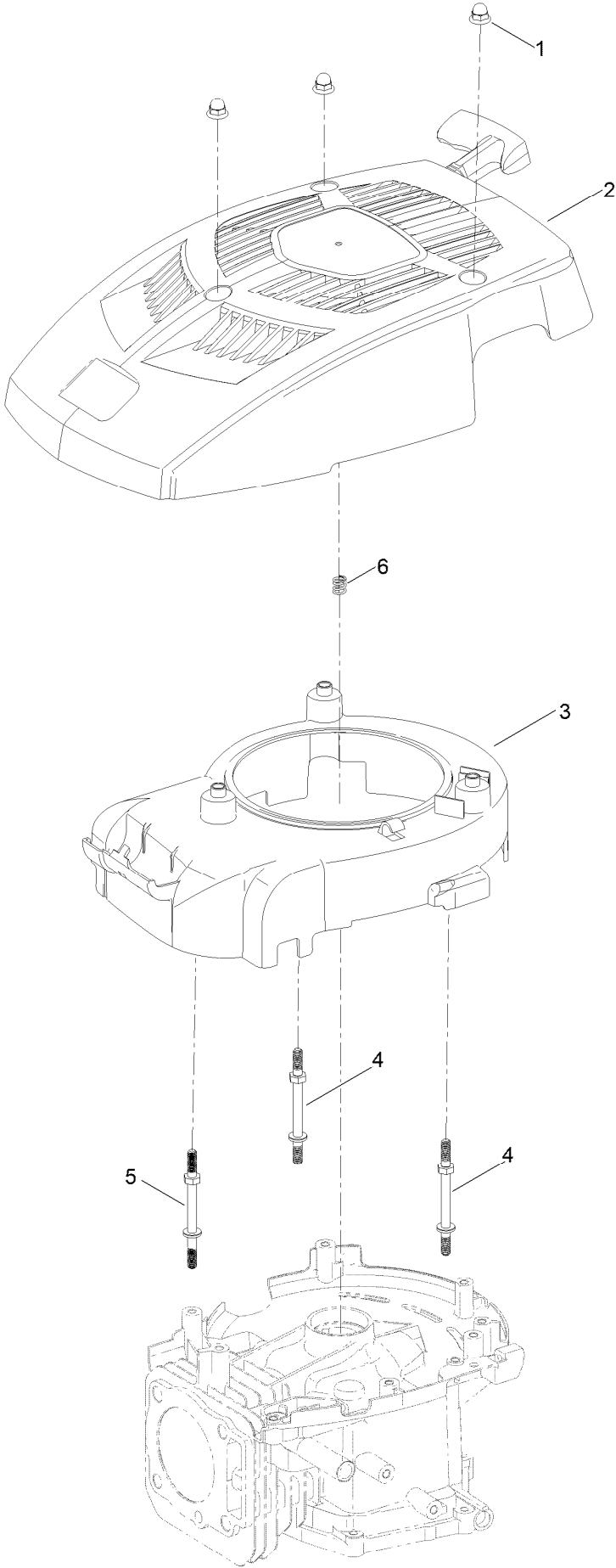




## Piston and Cylinder Head Assembly (continued)

| <i>Ref.</i> | <i>Part Number</i> | <i>Qty.</i> | <i>Description</i>     | <i>Ref.</i> | <i>Part Number</i> | <i>Qty.</i> | <i>Description</i> |
|-------------|--------------------|-------------|------------------------|-------------|--------------------|-------------|--------------------|
| 1           | 120-4232           | 5           | Screw-HHF              | 12          | 121-4192           | 1           | Valve Set          |
| 2           | 133-9905           | 1           | Cover-Valve            | 13          | 121-4193           | 2           | Rod-Push           |
| 3           | 133-9904           | 1           | Gasket-Cover, Valve    | 14          | 133-9910           | 1           | Gasket-Head        |
| 4           | 136-7868           | 1           | Exhaust Rocker Arm ASM | 15          | 121-4171           | 1           | Piston Ring Set    |
| 5           | 136-7869           | 1           | Intake Rocker Arm ASM  | 16          | 120-4467           | 1           | Pin-Piston         |
| 6           | 120-4474           | 2           | Retainer-Valve, Spring | 17          | 120-4469           | 1           | Connecting Rod ASM |
| 7           | 121-0187           | 1           | Spark Plug             | 18          | 120-4477           | 2           | Tappet-Valve       |
| 8           | 120-4473           | 2           | Spring-Valve           | 19          | 121-4173           | 1           | Piston             |
| 9           | 121-0043           | 4           | Bolt-Flange            | 20          | 121-0052           | 2           | Clip-Pin, Wrist    |
| 10          | 121-4202           | 1           | Seal-Stem, Valve       | 21          | 121-0053           | 2           | Pin-Dowel          |
| 11          | 121-0045           | 4           | Stud-Exhaust           | 22          | 136-7890           | 1           | Complete Head ASM  |

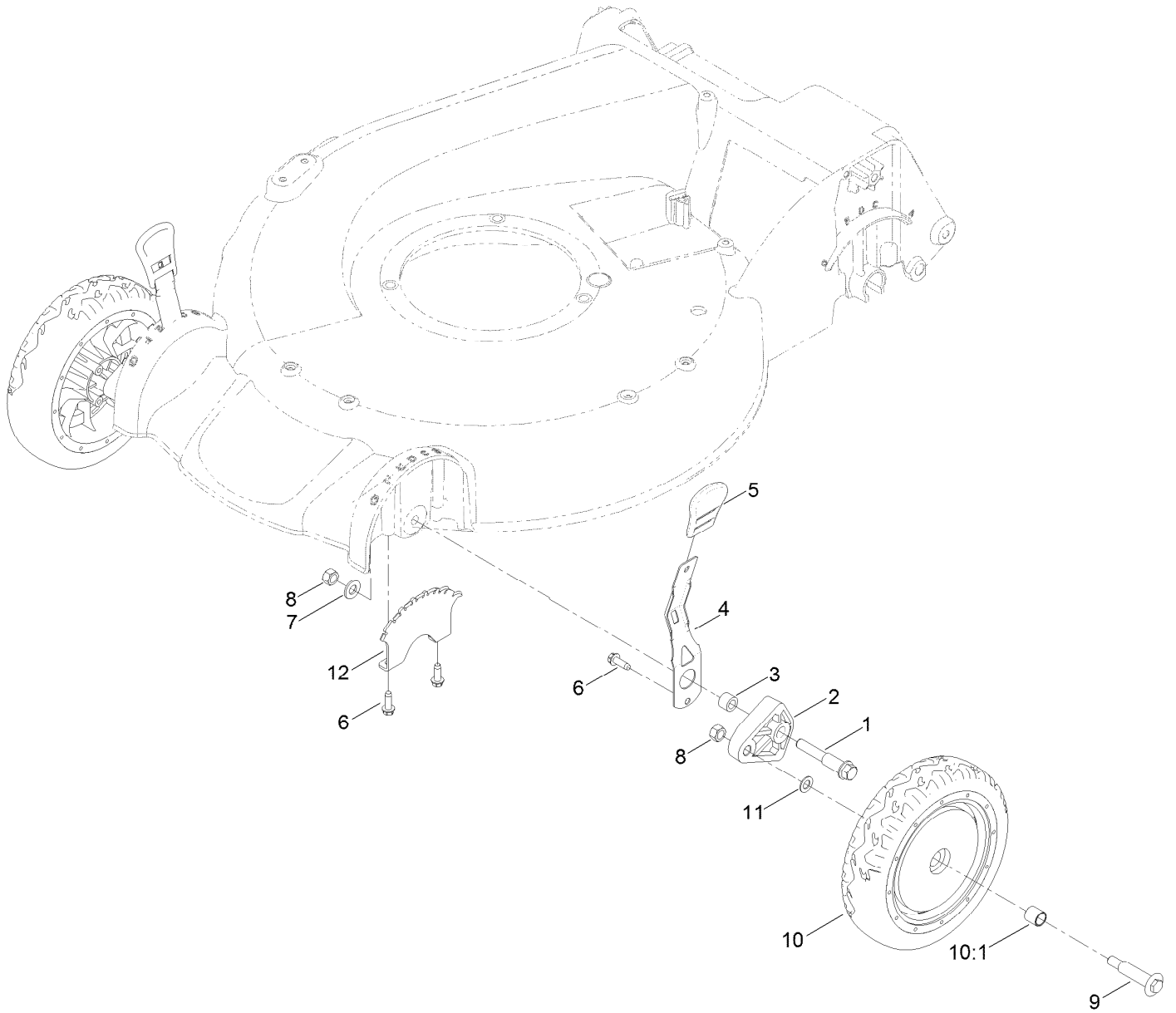
# Blower Housing Assembly



## Blower Housing Assembly (continued)

| <i>Ref.</i> | <i>Part Number</i> | <i>Qty.</i> | <i>Description</i> | <i>Ref.</i> | <i>Part Number</i> | <i>Qty.</i> | <i>Description</i>         |
|-------------|--------------------|-------------|--------------------|-------------|--------------------|-------------|----------------------------|
| 1           | 127-9115           | 3           | Nut-Acorn          | 4           | 133-9877           | 2           | Stud-Shroud                |
| 2           | 133-9857           | 1           | Recoil Shroud ASM  | 5           | 133-9878           | 1           | Stud-Shroud                |
| 2           | 133-9922           | 1           | Recoil Shroud ASM  | 6           | 136-7770           | 1           | Spring-Compression, Recoil |
| 3           | 136-7867           | 1           | Shroud-Fan         |             |                    |             |                            |

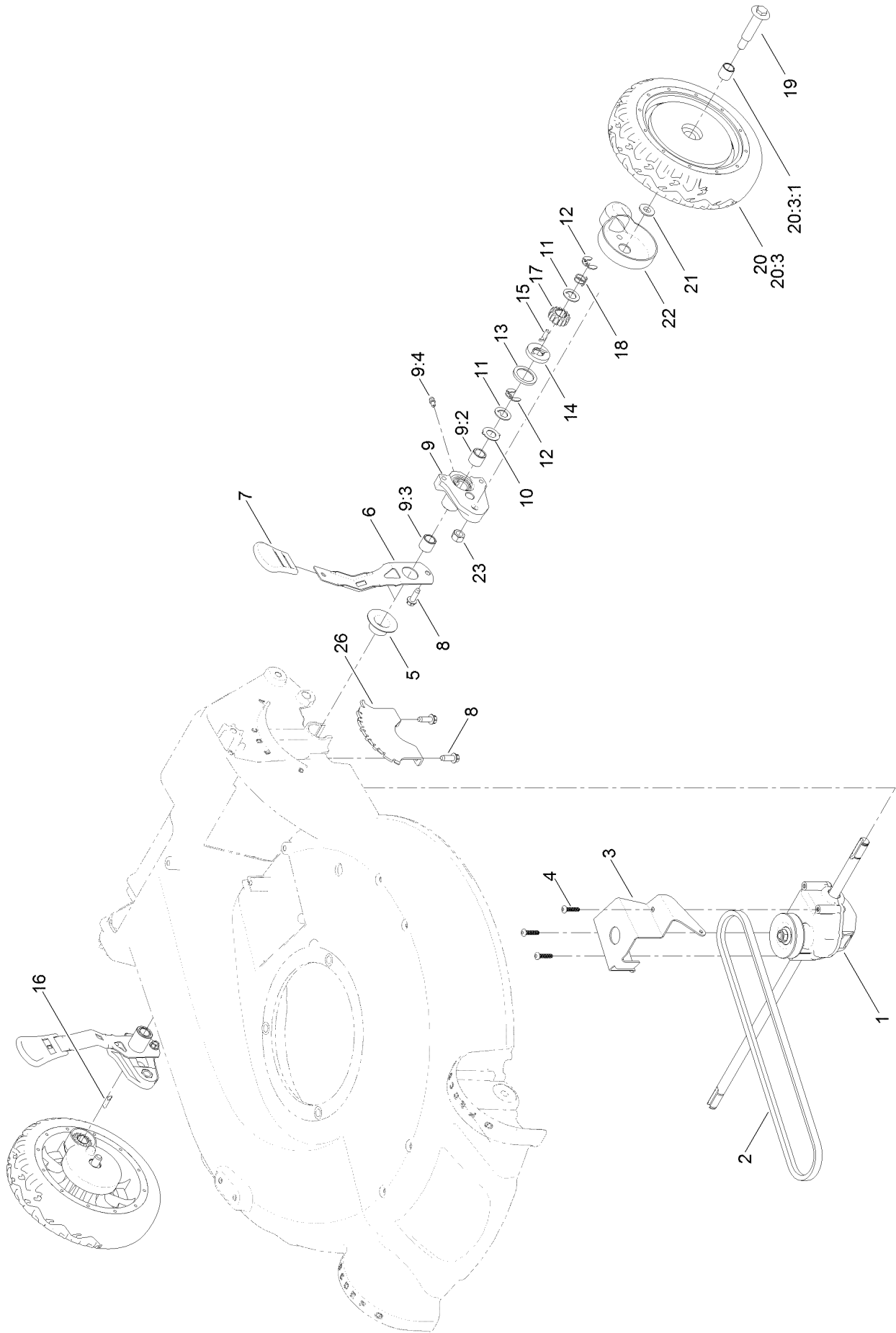
# Front Wheel and Height-of-Cut Assembly



## Front Wheel and Height-of-Cut Assembly (continued)

| <i>Ref.</i> | <i>Part Number</i> | <i>Qty.</i> | <i>Description</i> | <i>Ref.</i> | <i>Part Number</i> | <i>Qty.</i> | <i>Description</i> |
|-------------|--------------------|-------------|--------------------|-------------|--------------------|-------------|--------------------|
| 1           | 114-3467           | 2           | Screw-Shoulder     | 8           | 125-5069           | 4           | Nut-Hex            |
| 2           | 107-7492           | 2           | Arm-Pivot          | 9           | 92-1057            | 2           | Bolt-Shoulder      |
| 3           | 52-2480            | 2           | Spacer-Wheel       | 10          | 107-3708           | 2           | Wheel ASM          |
| 4           | 107-7491           | 2           | Arm-Spring         | 10:1        | 27-6250            | 2           | Bushing            |
| 5           | 110-0549           | 2           | Knob-HOC           | 11          | 40-1940            | 2           | Washer             |
| 6           | 49-2040            | 6           | Screw-HWHTF        | 12          | 107-7478           | 2           | Plate-HOC          |
| 7           | 3256-24            | 2           | Washer-Flat        |             |                    |             |                    |

# Rear Wheel and Height-of-Cut Assembly

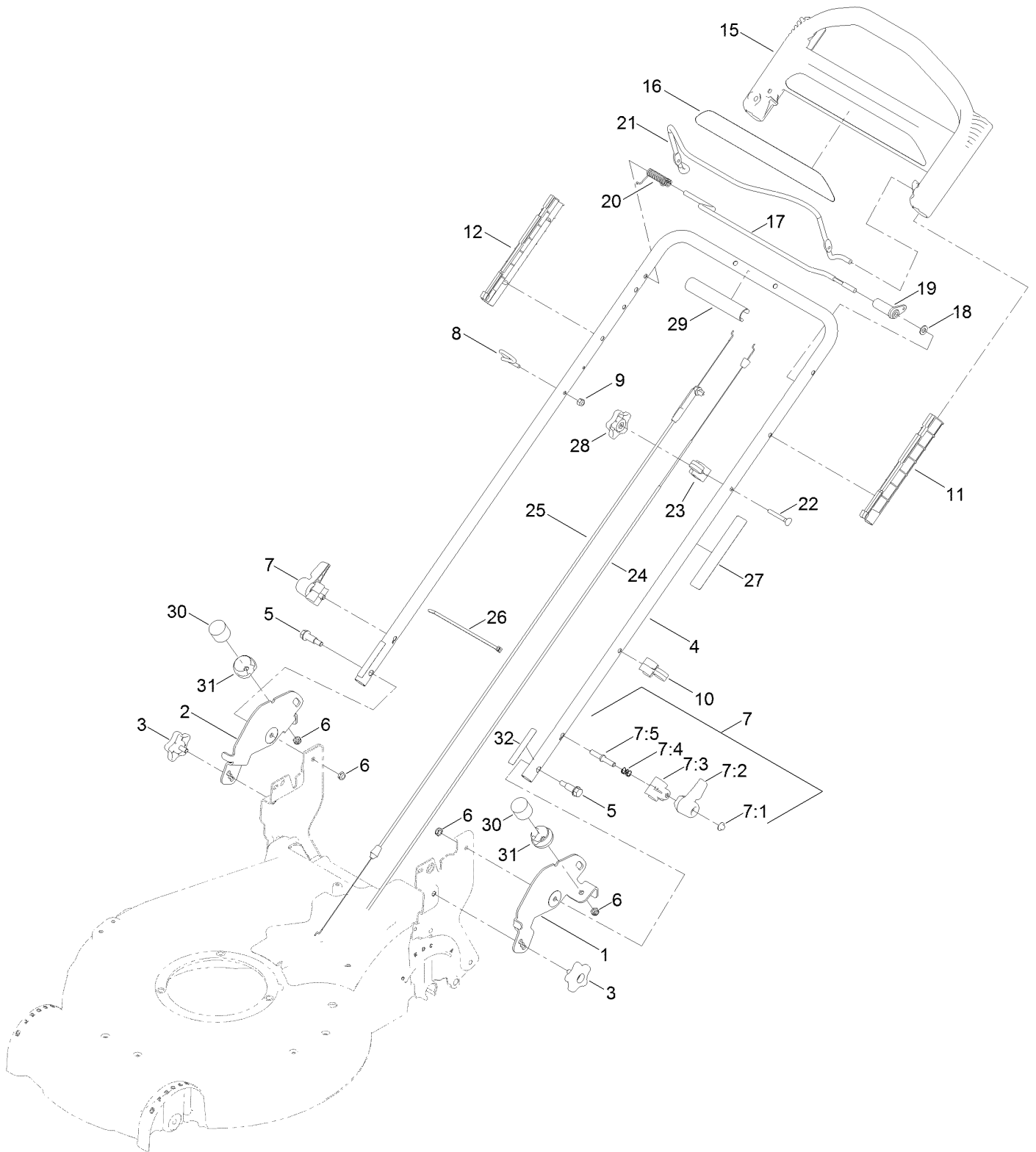


## Rear Wheel and Height-of-Cut Assembly (continued)

| <i>Ref.</i> | <i>Part Number</i> | <i>Qty.</i> | <i>Description</i>   | <i>Ref.</i> | <i>Part Number</i> | <i>Qty.</i> | <i>Description</i>  |
|-------------|--------------------|-------------|----------------------|-------------|--------------------|-------------|---------------------|
| 1           | 121-9184           | 1           | Transmission ASM     | 13          | 65-4710            | 2           | Ring-Friction       |
| 2           | 115-4669           | 1           | Belt-V               | 14          | 65-4760            | 2           | Washer-Clutch       |
| 3           | 114-7977-03        | 1           | Bracket-Transmission | 15          | 66-6050            | 1           | Key-Rocking, LH     |
| 4           | 108-7476           | 3           | Screw-Plastite       | 16          | 66-6040            | 1           | Key-Rocking, RH     |
| 5           | 42-3520            | 2           | Cap-End              | 17          | 65-4750            | 2           | Gear-Pinion         |
| 6           | 107-7491           | 2           | Arm-Spring           | 18          | 65-4720            | 2           | Spring-Compression  |
| 7           | 110-0549           | 2           | Knob-HOC             | 19          | 92-1057            | 2           | Bolt-Shoulder       |
| 8           | 49-2040            | 6           | Screw-HWHTF          | 20          | 107-3709           | 2           | Wheel Gear ASM      |
| 9           | 100-8774           | 2           | Pivot Arm ASM        | 20:3        |                    | 1           | Wheel ASM ●         |
| 9:2         | 47-2900            | 1           | Bushing              | 20:3:1      | 27-6250            | 2           | Bushing             |
| 9:3         | 70-9760            | 1           | Bushing              | 21          | 74-1671            | 2           | Spacer-Cover, Wheel |
| 9:4         | 302-56             | 1           | Fitting-Grease       | 22          | 74-1660            | 2           | Cover-Wheel         |
| 10          | 65-4730            | 2           | Washer-Arm, Pivot    | 23          | 125-5069           | 2           | Nut-Hex             |
| 11          | 65-4740            | 4           | Washer-Thrust, Keyed | 26          | 107-7478           | 2           | Plate-HOC           |
| 12          | 65-2720            | 4           | Ring-Clip, Locking   |             |                    |             |                     |

● Not serviced separately

# Handle Assembly





## Handle Assembly (continued)

| <i>Ref.</i> | <i>Part Number</i> | <i>Qty.</i> | <i>Description</i> | <i>Ref.</i> | <i>Part Number</i> | <i>Qty.</i> | <i>Description</i>     |
|-------------|--------------------|-------------|--------------------|-------------|--------------------|-------------|------------------------|
| 1           | 137-4845-03        | 1           | Bracket-Float, LH  | 16          | 117-1019           | 1           | Decal                  |
| 2           | 137-4846-03        | 1           | Bracket-Float, RH  | 17          | 136-7150           | 1           | Bar-Control, Traction  |
| 3           | 137-4844           | 2           | Knob-Handle        | 18          | 3256-23            | 1           | Washer-Plain           |
| 4           | 137-4793-05        | 1           | Handle-Upper       | 19          | 99-1589            | 1           | Lever-Traction         |
| 5           | 130-2344           | 2           | Bolt-Shoulder      | 20          | 121-9118           | 1           | Spring-Torsion         |
| 6           | 3296-47            | 4           | Nut-Lock, NI       | 21          | 131-0880-03        | 1           | Bail-Brake             |
| 7           | 115-2860           | 2           | Quick Release ASM  | 22          | 95-4453            | 1           | Screw                  |
| 7:1         | 109-0917           | 1           | Nut-Push           | 23          | 136-5864           | 1           | Anchor-Cable           |
| 7:2         | 114-7995           | 1           | Lever              | 24          | 108-8158           | 1           | Cable-Traction         |
| 7:3         | 114-7996           | 1           | Anchor-Spring      | 25          | 117-5900           | 1           | Cable-Brake            |
| 7:4         | 115-2858           | 1           | Spring-Compression | 26          | 614249             | 3           | Tie-Cable              |
| 7:5         | 114-2675           | 1           | Rod-Release        | 27          | 132-4470           | 1           | Decal-Traction, Adjust |
| 8           | 86-9671            | 1           | Guide-Rope         | 28          | 131-0897           | 1           | Knob-Handle, Locking   |
| 9           | 3296-73            | 1           | Nut-Lock, NI       | 29          | 131-4551           | 1           | Handle-Cover           |
| 10          | 114-7988           | 1           | Guide-Cable        | 30          | 137-4803           | 2           | Bumper-Rubber          |
| 11          | 105-6842           | 1           | Guide-LH           | 31          | 137-9100           | 2           | Cover-Bumper           |
| 12          | 105-6841           | 1           | Guide-RH           | 32          | 137-4801           | 2           | Decal-Isoflex          |
| 15          | 104-8678           | 1           | Handle-Control     |             |                    |             |                        |

# Attachments and Accessories

## For 21381 Super Recycler Lawn Mower

| <b>Product Name</b>                            | <b>Model/Part</b> |
|--|-------------------|
| Bagging Blade .....                            | 108-3759-03       |
| All Season Synthetic Oil.....                  | 117-0066          |
| Fuel Stabilizer .05 oz .....                   | 130-2393          |
| 4-cycle Fuel, Snow And Lawn, 32oz Can.....     | 131-3823          |
| Traction Assist Handle Kit.....                | 131-4590          |
| Toro Premium Fuel Treatment 12 Oz Bottle ..... | 131-6572          |
| High Altitude Kit .....                        | 133-9943          |
| Engine Maintenance Kit.....                    | 20240             |
| Lawn Striping Kit with 22in Roller.....        | 20601             |
| Toro 4-cycle Sae 30 Oil (32oz Bottle).....     | 38903             |
| Summer Oil-Case of 24 (20oz Bottles).....      | 38916             |
| Bag-Walk Behind (Toro).....                    | 490-7318          |
| Lawnmower Cover.....                           | 490-7462          |
| Bagger Kit.....                                | 59165             |

**Notes:**



**Count on it.**