



# Parts Manual

Mfg. No: 1687884-00  
SXDWM82K, 82V Battery Electric 21"  
Walk Mower Kit, w/ (2) 2Ah Batteries &  
Charger



1760266 - BSB2AH82, 82V 2.0 Battery.....  
1760265 - BSB4AH82, 82V 4.0 Battery.....  
1760263 - BSRC82, Charger 110V.....

Not For  
In Reproduction

---

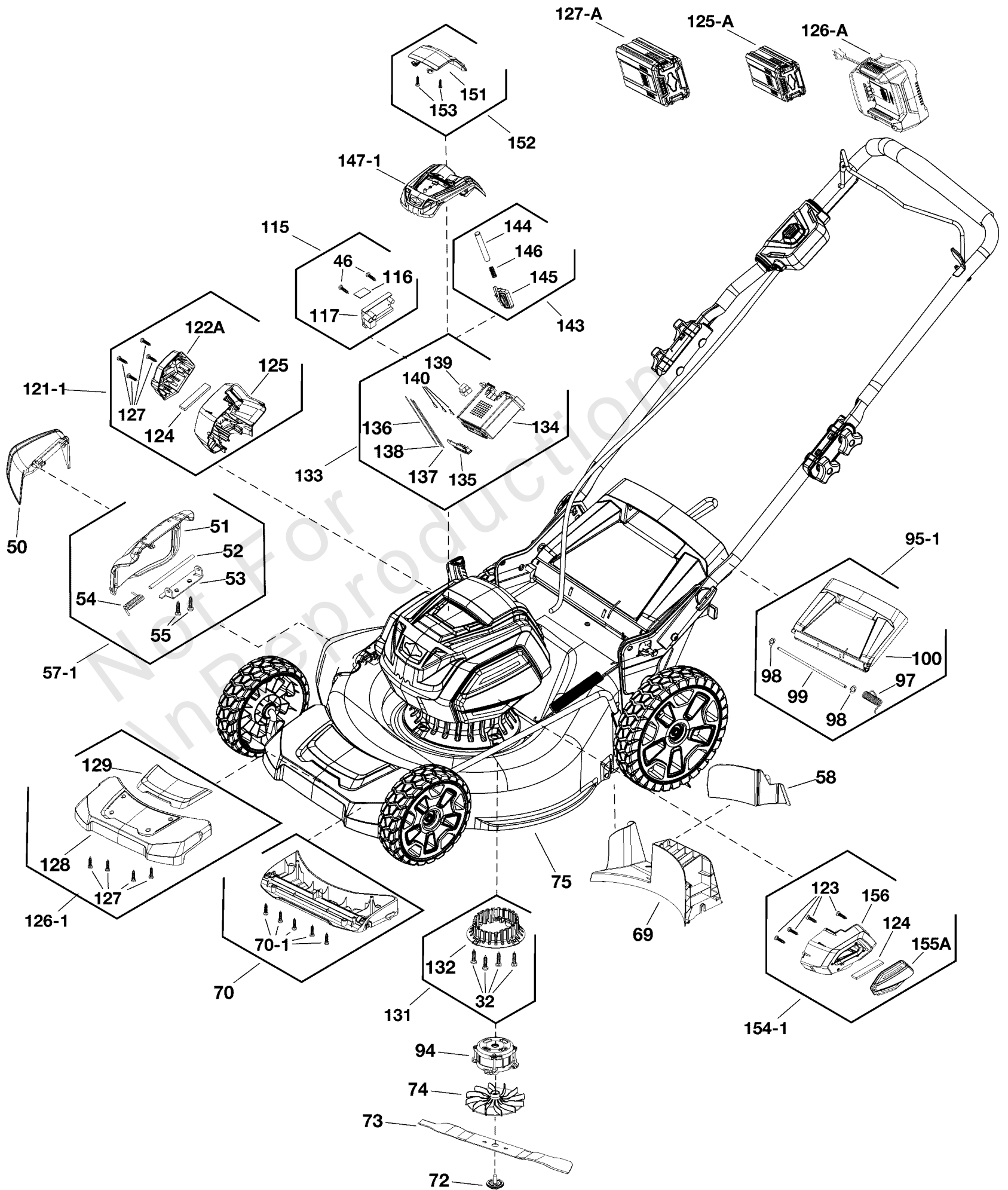
Model Components	Page
Deck Group.....	4
Handles Group.....	8
Wheels Group.....	12
Torque Specification Chart.....	14

Not For  
In Reproduction

# Deck Group

Note: Unless noted otherwise, use the standard torque specifications

Mfg. No: 1687884-00



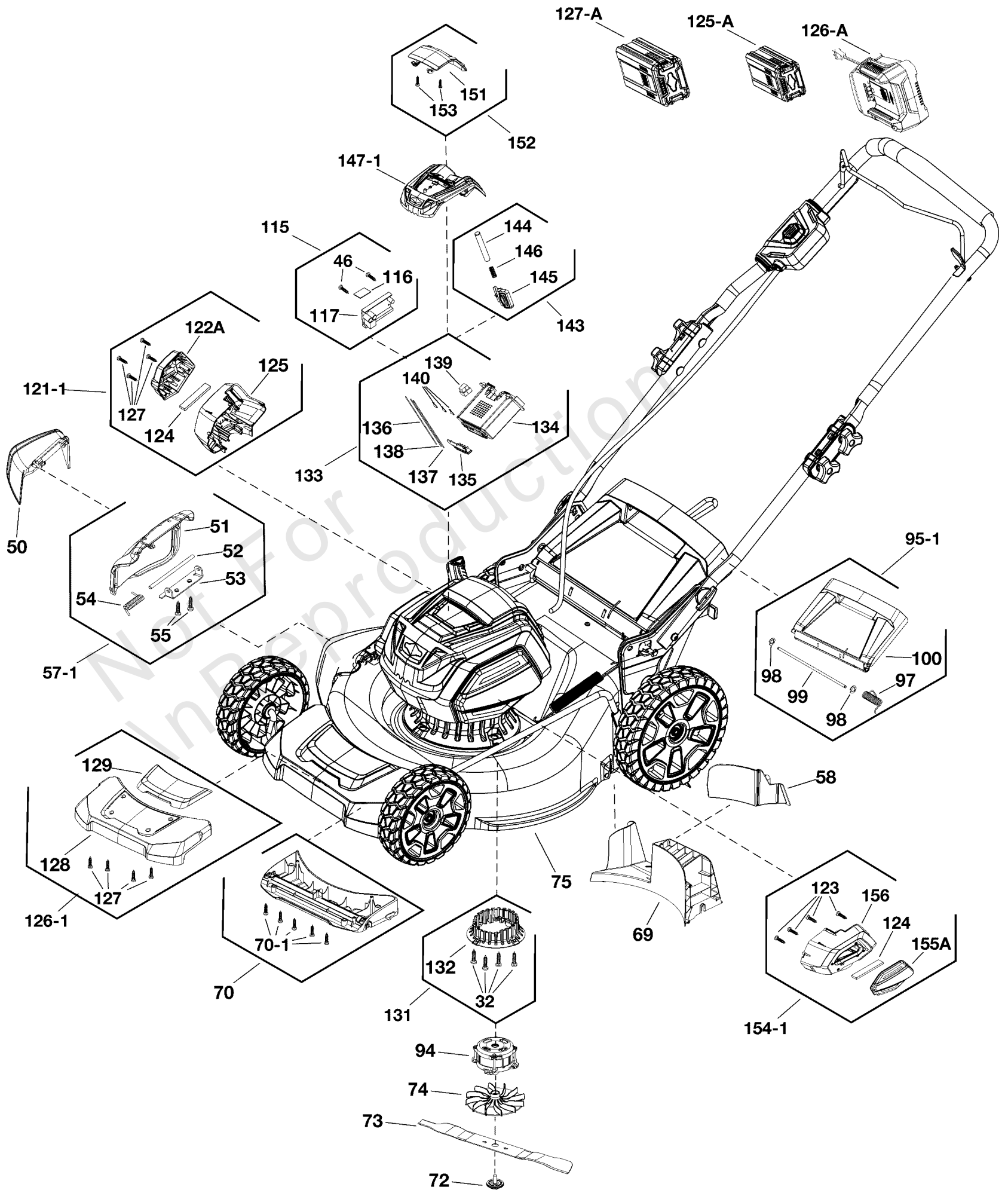
## Deck Group

REF NO	PART NO	QTY	DESCRIPTION
50	770194	1	KIT, DEFLECTOR
57-1	770193	1	KIT, COVER
51	-----	1	COVER
52	-----	1	SHAFT
53	-----	1	BRACKET
54	-----	1	SPRING, Torsion
55	-----	2	SCREW
58	770183	1	KIT, PLUG
69	770205	1	KIT, BACK BULKHEAD
70	770206	1	KIT, FRONT BULKHEAD
70-1	-----	11	SCREW
72	770190	1	KIT, BOLT
73	770191	1	KIT, BLADE
74	770199	1	KIT, FAN
75	770204	1	KIT, DECK
94	770174	1	KIT, MOTOR
95-1	770181	1	KIT, REAR COVER ASSEMBLY
97	-----	1	SPRING, Torsion
98	-----	2	PIN, COTTER
99	-----	1	SHAFT
100	-----	1	REAR COVER
115	770203	1	KIT, PCB, NA
116	-----	1	SENSOR
117	-----	1	PCB
46	-----	2	SCREW
121-1	770197	1	KIT, RIGHT COVER
122A	-----	1	RIGHT SIDE COVER
123	-----	4	SCREW
124	-----	1	DUST SCREEN
125	-----	1	RIGHT HOUSING
126-1	770477	1	KIT, FRONT PANEL
127	-----	4	SCREW
128	-----	1	BUMPER
129	-----	1	BUMPER COVER
131	770200	1	KIT, BASE
132	-----	1	BASE
32	-----	4	SCREW
133	770196	1	KIT, BATTERY COMPARTMENT ASSEMBLY, NA
134	-----	1	BATTERY HOUSING
135	-----	1	INSERT
136	-----	33cm	WIRE
137	-----	33cm	WIRE
138	-----	33cm	WIRE
139	-----	1	COVER
140	-----	3	CONTACT
143	770202	1	KIT, BATTERY RELEASE
144	-----	1	PIN
145	-----	1	BATTERY RELEASE BUTTON
146	-----	1	SPRING, Torsion
147-1	770201	1	KIT, TOP COVER
152	770195	1	KIT, BATTERY COVER

# Deck Group

Note: Unless noted otherwise, use the standard torque specifications

Mfg. No: 1687884-00



## Deck Group

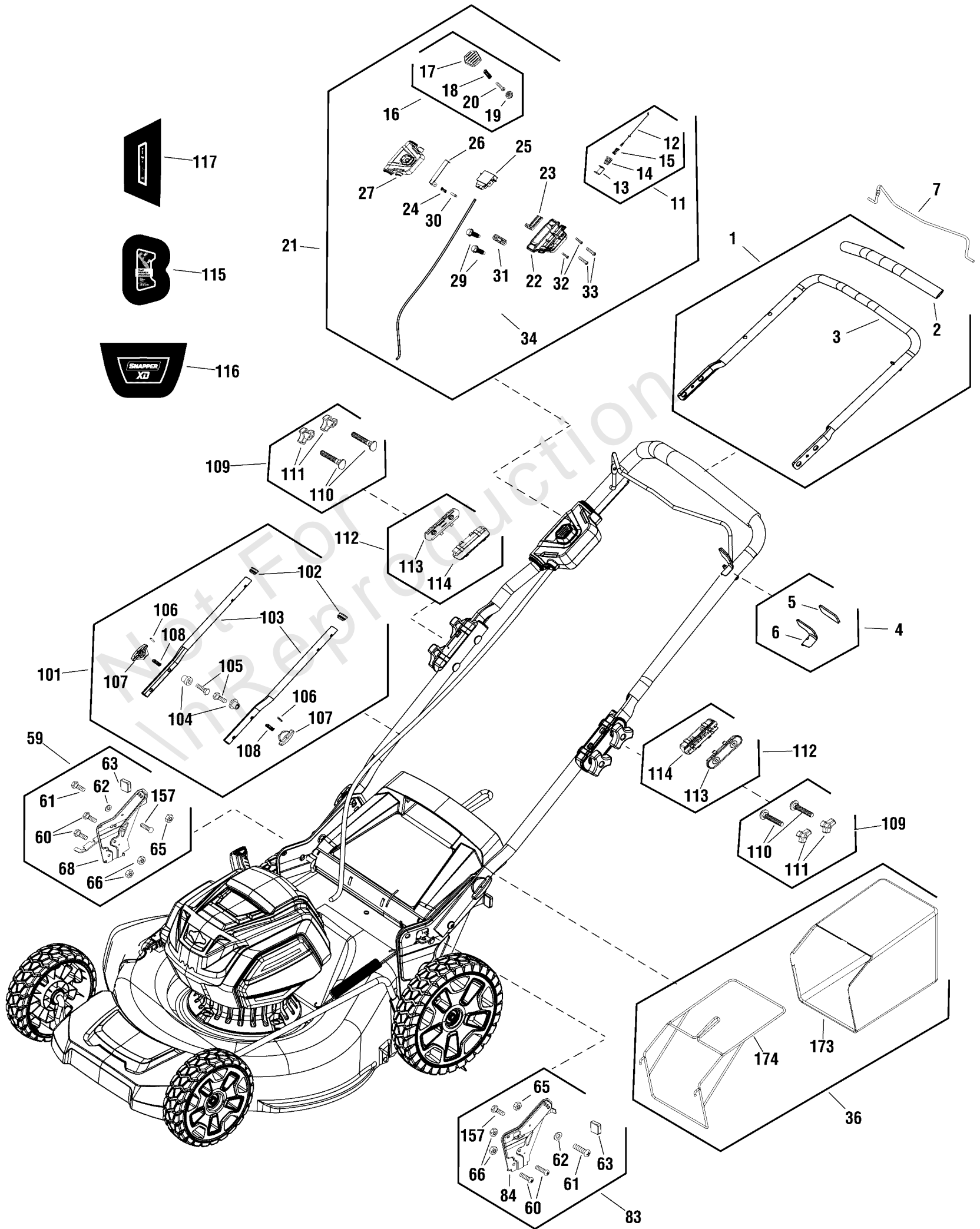
REF NO	PART NO	QTY	DESCRIPTION
151	-----	1	RAIN CAP
153	-----	2	SCREW
154-1	770198	1	KIT, LEFT COVER
123	-----	4	SCREW
124	-----	1	DUST SCREEN
155A	-----	1	LEFT SIDE COVER
156	-----	1	LEFT DECORATIVE COVER
125-A	1760266	1	BATTERY, 2.0, 82V NA -(Option)
126-A	1760263	1	CHARGER, Battery, NA -(Option)
127-A	1760265	1	BATTERY, 4.0, 82V NA -(Option)
--	770294	1	REMOTE BELT FOR BATTERY -(Not Shown)

Not For InReproduction

# Handles Group

Note: Unless noted otherwise, use the standard torque specifications

Mfg. No: 1687884-00





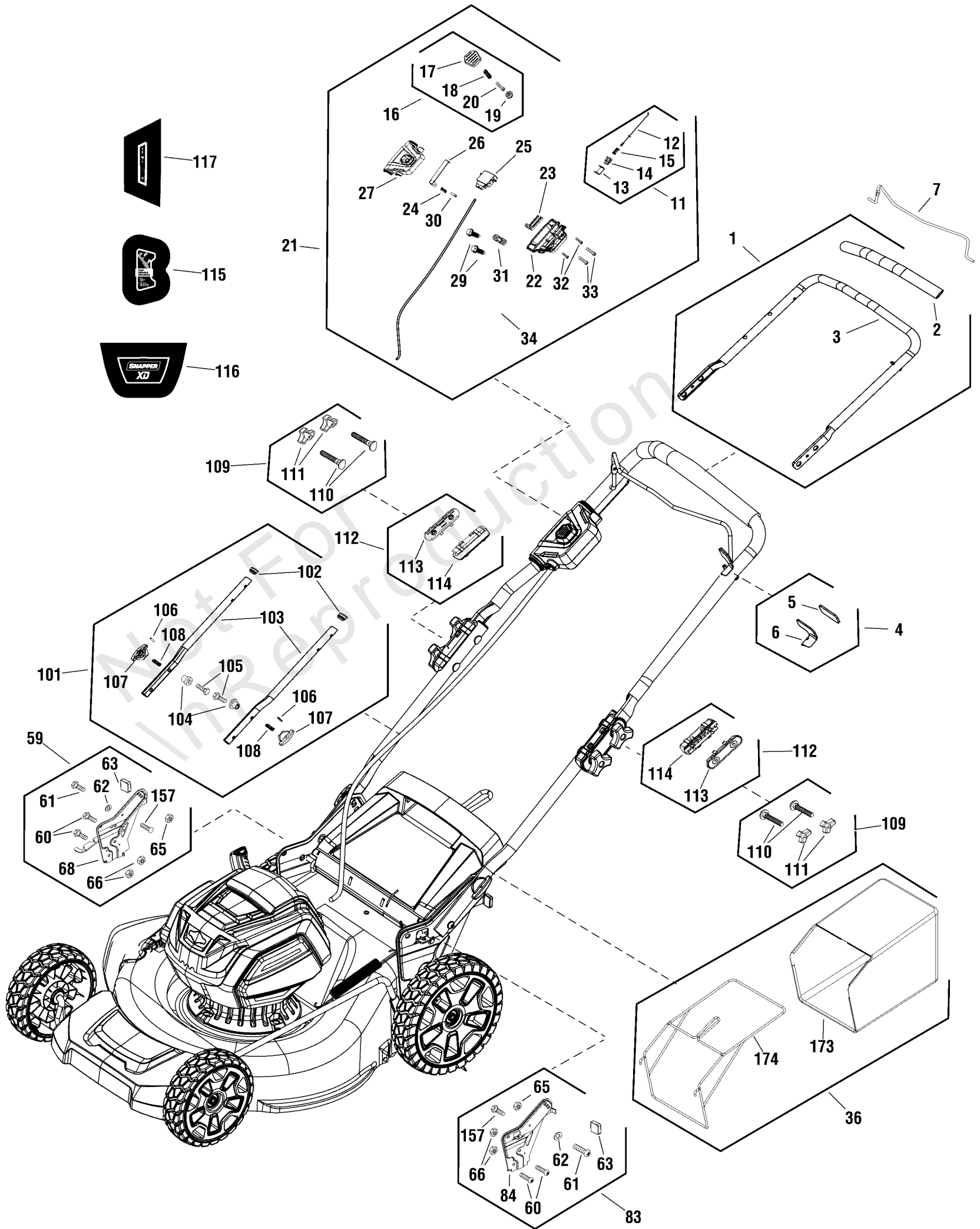
## Handles Group

REF NO	PART NO	QTY	DESCRIPTION
1	770168	1	KIT, UPPER HANDLE, NA
2	-----	1	FOAM GRIP
3	-----	1	HANDLE, UPPER
4	770170	1	KIT, STOP
5	-----	1	SPONGE
6	-----	1	BRACKET
7	770169	1	KIT, LEVER
11	770171	1	KIT, CABLE ASSEMBLY
12	84003406	1	CABLE, DRIVE
13	-----	1	BRACKET
14	-----	1	BLOCK
15	-----	1	SPRING
16	770173	1	KIT, BUTTON
17	84003407	1	LEVER, SPEED CONTROL
18	-----	1	SPRING
19	-----	1	GASKET
20	-----	1	SCREW
21	770172	1	KIT, SWITCH BOX COMPONENT, NA
22	-----	1	SWITCH BOX COVER
23	-----	1	BRACKET
24	-----	1	SPRING
25	84003409	1	SWITCH
26	-----	1	PLATE
27	-----	1	SWITCH BOX COVER
29	-----	2	SCREW
30	-----	1	PIN
31	-----	1	CLAMP
32	-----	2	SCREW
33	-----	2	SCREW
34	-----	1	WIRE
36	770182	1	KIT, GRASS BAGGER
173	-----	1	BAG, Grass Catcher
174	-----	1	FRAME
59	770178	1	KIT, RIGHT BRACKET, NA
60	-----	2	BOLT
61	-----	1	BOLT
62	-----	1	GASKET
63	-----	1	BUMPER
65	-----	1	NUT
66	-----	2	NUT
68	-----	1	HEIGHT ADJUST, RIGHT
157	-----	1	SCREW
83	770179	1	KIT, LEFT BRACKET
84	-----	1	BRACKET, Height Adjust
60	-----	2	BOLT
61	-----	1	BOLT
62	-----	1	GASKET
63	-----	1	BUMPER
65	-----	1	NUT
66	-----	2	NUT
157	-----	1	SCREW

# Handles Group

Note: Unless noted otherwise, use the standard torque specifications

Mfg. No: 1687884-00



## Handles Group

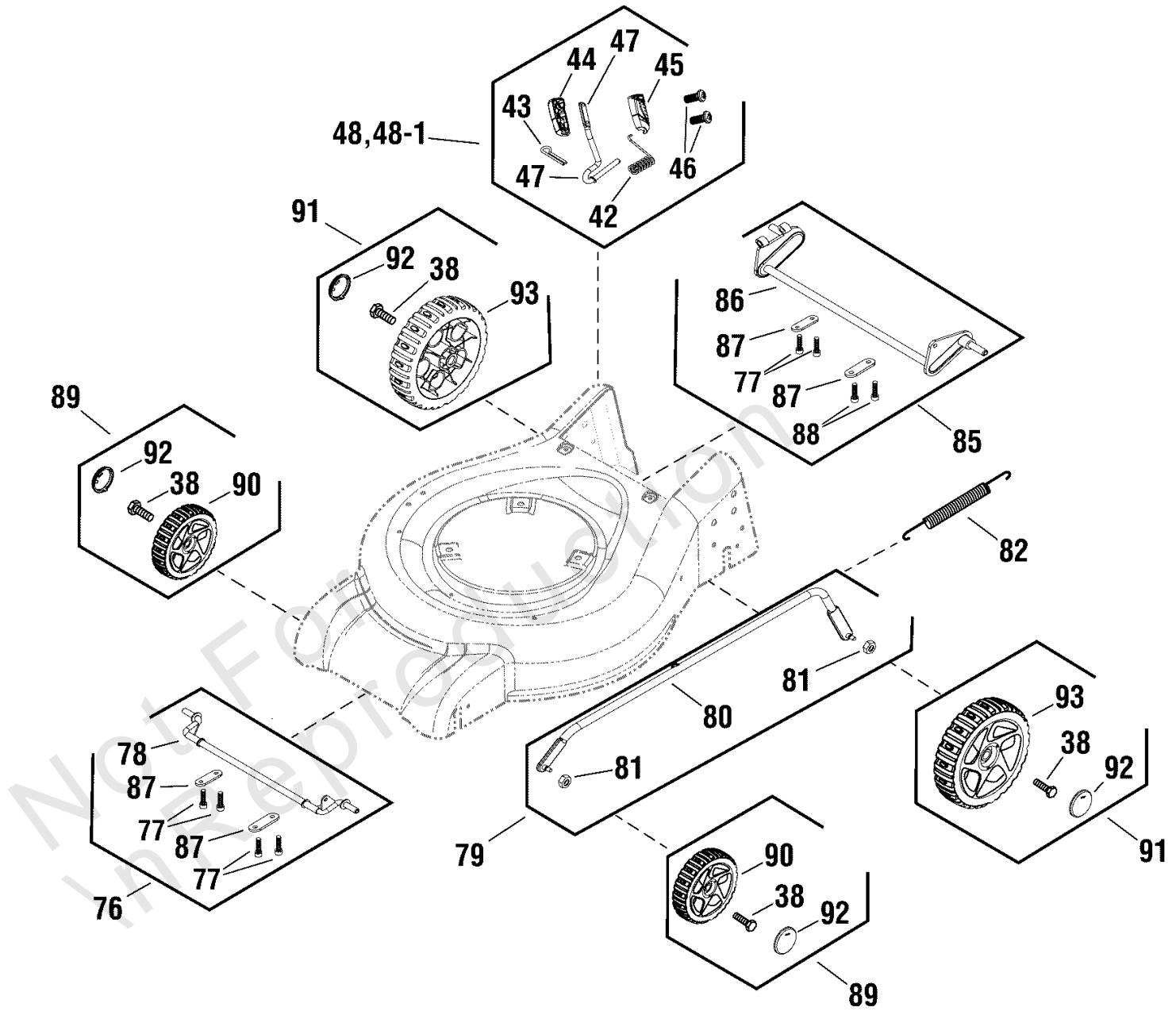
REF NO	PART NO	QTY	DESCRIPTION
101	770177	1	KIT, LOWER HANDLE
102	-----	1	TUBE CAP
103	-----	1	HANDLE, LOWER
104	-----	1	BUSHING
105	-----	1	SCREW
106	-----	1	PIN
107	-----	1	KNOB
108	-----	1	SPRING
109	770175	1	KIT, HARDWARE
110	-----	1	BOLT
111	-----	1	KNOB
112	770176	1	KIT, HANDLE BRACKET
113	-----	1	BRACKET
114	-----	1	BRACKET
115	770491	1	DECAL, START
116	770492	1	DECAL, XD SHROUD
117	770496	1	DECAL, CHARGER INDICATOR

Not For In-Plant Production

# Wheels Group

Note: Unless noted otherwise, use the standard torque specifications

Mfg. No: 1687884-00



## Wheels Group

REF NO	PART NO	QTY	DESCRIPTION
48	770180	1	HEIGHT ADJUST ASSEMBLY, NA
48-1	770350	1	HEIGHT ADJUST ASSEMBLY, EU
42	-----	1	SPRING
43	-----	1	PIN, COTTER
44	-----	1	LEFT HOUSING
45	-----	1	RIGHT HOUSING
46	-----	2	SCREW, Pan Torx Self Tap, ST4.2 x 20-C
47	-----	1	ROD, Adjusting
76	770186	1	KIT, FRONT AXLE
77	-----	4	SCREW, Pan Torx Self Tap, ST4.2 x 20-C
78	-----	1	AXLE, Front
87	-----	2	TAB
79	770185	1	KIT, HEIGHT ADJUST, NA & EU
80	-----	1	ROD, Height Adjust
81	-----	2	NUT
82	770189	1	KIT, SPRING
85	770184	1	KIT, BACK AXLE
77	-----	2	SCREW, Pan Torx Self Tap, ST4.2 x 20-C
86	-----	1	SHAFT
87	-----	2	TAB
88	-----	2	SCREW, Pan Torx Self Tap, ST4.2 x 20-C
89	770188	1	KIT, 8" WHEEL
38	-----	1	BOLT
90	-----	1	WHEEL, 8"
92	-----	1	COVER, Wheel
91	770187	1	KIT, 10" WHEEL, NA & EU
38	-----	1	BOLT
92	-----	1	COVER, Wheel
93	-----	1	WHEEL, 10"

# Hardware Identification & Torque Specifications

Torque Specification Chart								
FOR STANDARD METRIC MACHINE HARDWARE (Tolerance ± 20%)								
Property Class	5.6		8.8		10.9		12.9	
	Class 5.6		Class 8.8		Class 10.9		Class 12.9	
Size Of Hardware	in/lbs	Nm.	in/lbs	Nm.	in/lbs	Nm.	in/lbs	Nm.
	ft/lbs		ft/lbs		ft/lbs		ft/lbs	
M3	5.88	.56	13.44	1.28	19.2	1.80	22.92	2.15
M4	13.44	1.28	30.72	2.90	43.44	4.10	52.56	4.95
M5	26.4	2.50	60.96	5.75	5.97	8.10	7.15	9.7
M6	44.64	4.3	7.3	9.9	10.3	14	12.1	16.5
M7	5.2	7.1	12.1	16.5	16.9	23	19.9	27
M8	7.7	10.5	17.7	24	25	34	29	40
M10	15	21	35	48	50	67	59	81
M12	26	36	61	83	86.2	117	103	140
M14	42	58	101	132	136	185	162	220
M16	64	88	147	200	210	285	250	340
M18	89	121	202	275	287	390	346	470
M20	126	171	290	390	405	550	486	660
M22	169	230	390	530	559	745	656	890
M24	217	295	497	375	708	960	840	1140
M27	320	435	733	995	1032	1400	1239	1680
M30	435	590	995	1350	1401	1900	1681	2280
M33	590	800	1349	1830	1902	2580	2278	3090
M36	759	1030	1740	2360	2441	3310	2935	3980
M39	988	1340	2249	3050	3163	4290	3798	5150

Torque Specification Chart						
FOR STANDARD MACHINE HARDWARE (Tolerance ± 20%)						
Hardware Grade	No Marks		SAE Grade 5		SAE Grade 8	
	SAE Grade 2		SAE Grade 5		SAE Grade 8	
Size Of Hardware	in/lbs	Nm.	in/lbs	Nm.	in/lbs	Nm.
	ft/lbs		ft/lbs		ft/lbs	
8-32	19	2.1	30	3.4	41	4.6
8-36	20	2.3	31	3.5	43	4.9
10-24	27	3.1	43	4.9	60	6.8
10-32	31	3.5	49	5.5	68	7.7
1/4-20	66	7.6	8	10.9	12	16.3
1/4-28	76	8.6	10	13.6	14	19.0
5/16-18	11	15.0	17	23.1	25	34.0
5/16-24	12	16.3	19	25.8	29	34.0
3/8-16	20	27.2	30	40.8	45	61.2
3/8-24	23	31.3	35	47.6	50	68.0
7/16-14	30	40.8	50	68.0	70	95.2
7/16-20	35	47.6	55	74.8	80	108.8
1/2-13	50	68.0	75	102.0	110	149.6
1/2-20	55	74.8	90	122.4	120	163.2
9/16-12	65	88.4	110	149.6	150	204.0
9/16-18	75	102.0	120	163.2	170	231.2
5/8-11	90	122.4	150	204.0	220	299.2
5/8-18	100	136	180	244.8	240	326.4
3/4-10	160	217.6	260	353.6	386	525.0
3/4-16	180	244.8	300	408.0	420	571.2
7/8-9	140	190.4	400	544.0	600	816.0
7/8-14	155	210.8	440	598.4	660	897.6
1-8	220	299.2	580	788.8	900	1,244.0
1-12	240	326.4	640	870.4	1,000	1,360.0

The guides and ruler furnished below are designed to help you select the appropriate hardware.



Nut, M8

Thread Diameter (mm)

Inside Diameter (in)      Threads per inch

Nut, 1/2-16



Screw, M8- 1.25 x 25

Thread Diameter (mm)      Distance between threads (mm)      Body Length (mm)

Body Diameter      Threads per inch      Body Length (in)

Screw, 1/2- 16 x 2



## Standard Hardware Sizing

When a washer or nut is identified as 1/2" (M8), this is the *Nominal size*, meaning the *inside diameter* is 1/2 inch (8mm metric thread diameter); if a second number is present it represents the *threads per inch* (distance between threads).

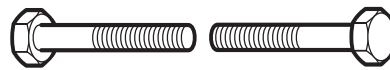
When bolt or capscrew is identified as 1/2 - 16 x 2" (M8 - 1.25 x 50), this means the *Nominal size*, or body diameter is 1/2 inch (8mm metric thread diameter), the second number, 16, represents the *threads per inch*, (*distance between threads*). The final number is the body length of the bolt or screw, 2 inches (50mm).

## NOTES

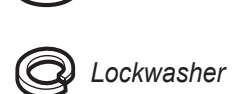
- These torque values are to be used for all hardware excluding: locknuts, self-tapping screws, thread forming screws, sheet metal screws and socket head setscrews.
- Recommended seating torque values for locknuts:
  - for prevailing torque locknuts - use 65% of grade 5 torques.
  - for flange whizlock nuts and screws - use 135% of grade 5 torques.
- Unless otherwise noted on assembly drawings, all torque values must meet this specification.

## Common Hardware Types

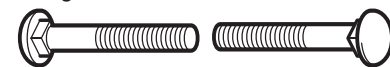
Hex Head Capscrew



Washer



Carriage Bolt



Hex Nut

## Wrench & Fastener Size Guide

1/4" Bolt or Nut Wrench—7/16"	5/16" Bolt or Nut Wrench—1/2"	3/8" Bolt or Nut Wrench—9/16"	7/16" Bolt or Nut Wrench (Bolt)—5/8" Wrench (Nut)—11/16"	1/2" Bolt or Nut Wrench—3/4"
M6 Bolt or Nut Wrench—10mm	M8 Bolt or Nut Wrench—13mm	M10 Bolt or Nut Wrench—17mm	M12 Bolt or Nut Wrench—19mm	M14 Bolt or Nut Wrench—22mm

