

*Parts Manual for*  
**SNAPPER®**

**82 VOLT BATTERY POWERED  
21" WALK BEHIND MOWER**

<i>Model No.</i>	<i>Description</i>
1696777-00	21" Walk Mower
1696778-00	21" Walk Mower - EU

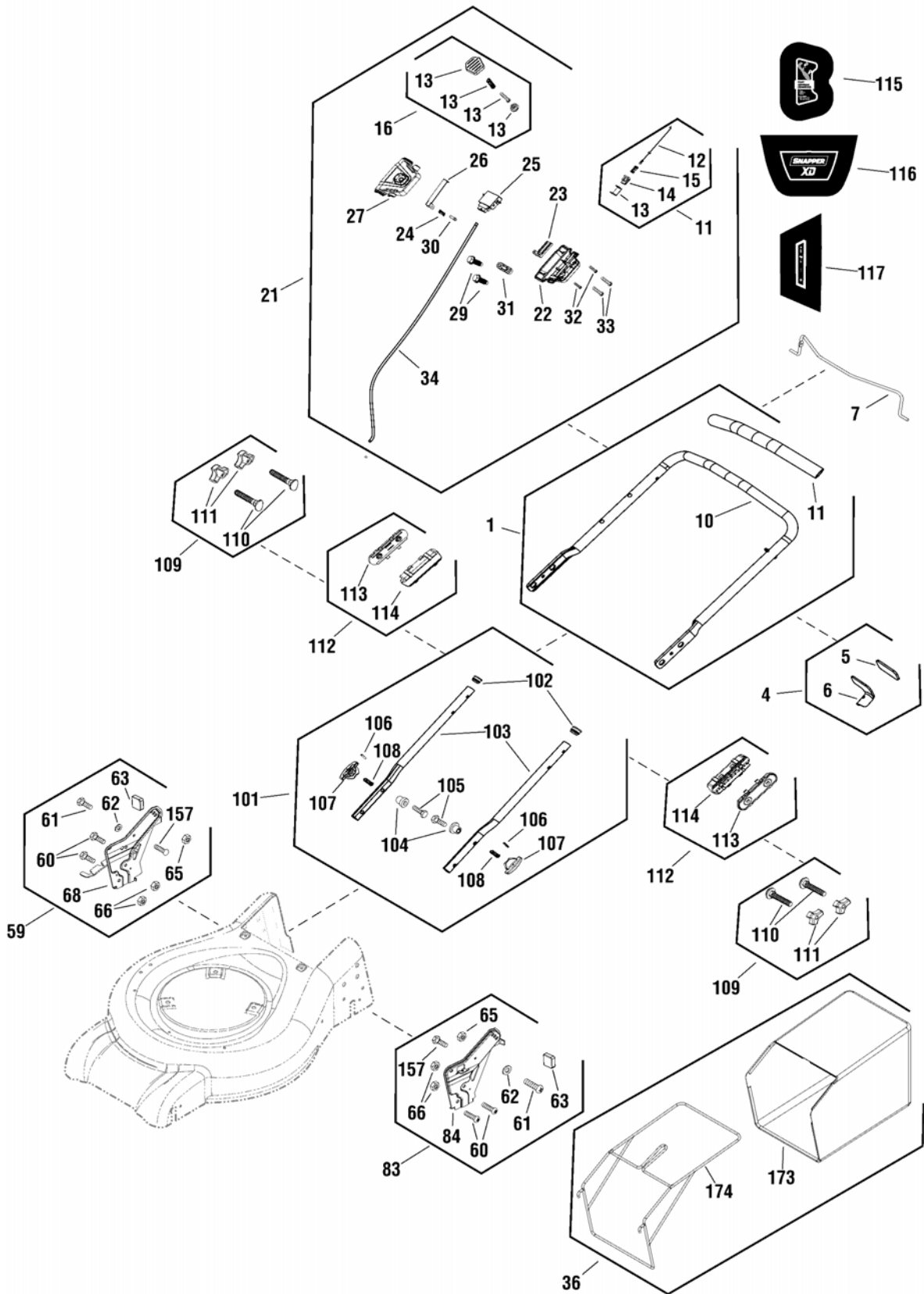


Not for  
Reproduction

<b>PAGE</b>	<b>GROUP</b>
4	Handles Group
8	Handles Group
12	Deck Group
16	Wheels Group

Not for  
Reproduction

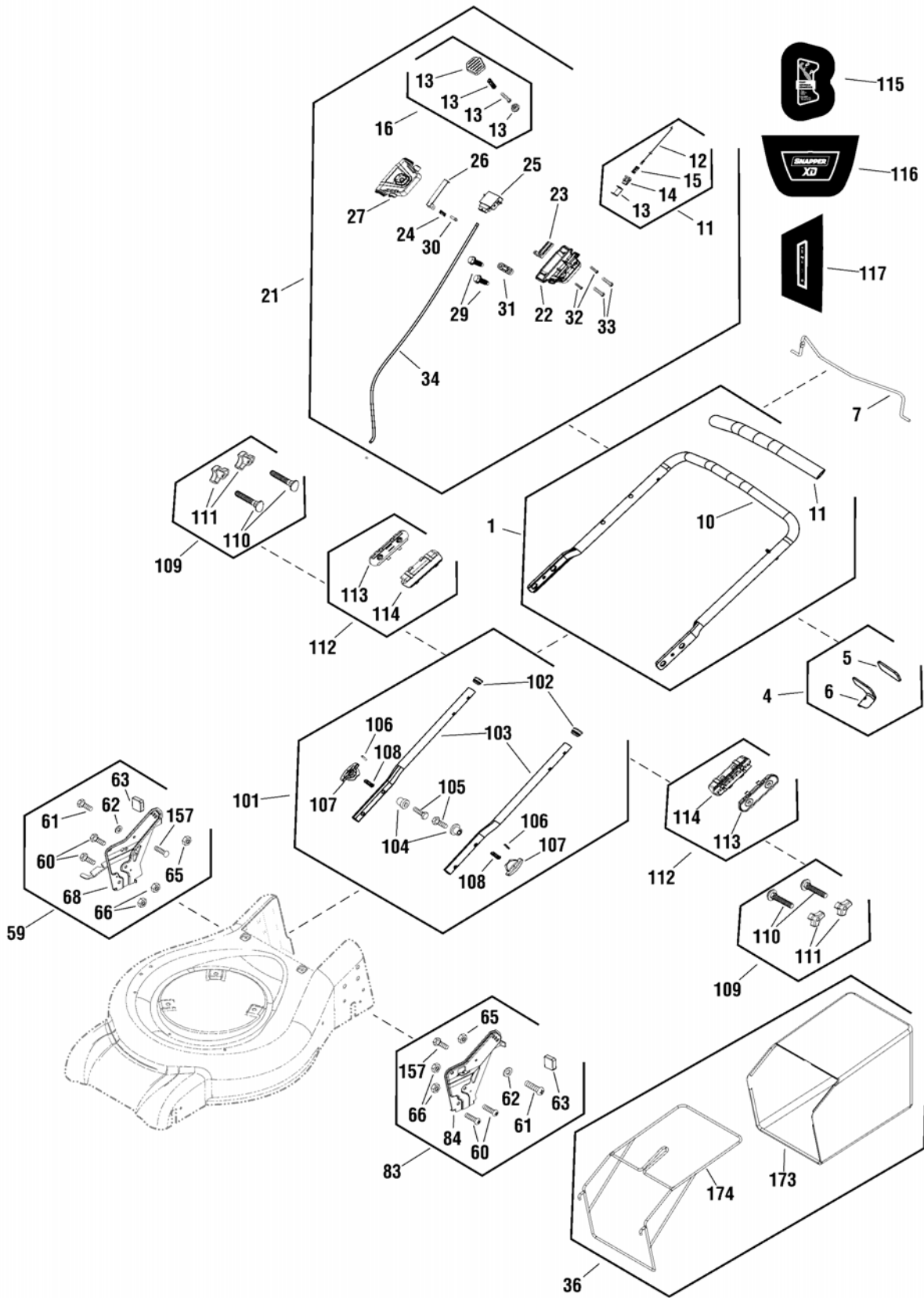
# Handles Group



Item	Part No	Qty	Description
1	770168	1	KIT, UPPER HANDLE, NA
2	----	1	SPONGE
3	----	1	PUSH ROD, UP
4	770170	1	KIT, STOP
5	----	1	SPONGE
6	----	1	PIECE, LIMIT
7	770169	1	KIT, LEVER
11	770171	1	KIT, CABLE ASSEMBLY
12	----	1	LASSO, THE START
13	----	1	SLIDER
14	----	1	SEAT, FIXED
15	----	1	SPRING
16	770173	1	KIT, BUTTON
17	----	1	BUTTON, THE START
18	----	1	SPRING
19	----	1	GASKET
20	----	1	SCREW
21	770172	1	KIT, SWITCH BOX COMPONENT, NA
22	----	1	COVER, DOWN
23	----	1	SLIDER, SWITCH
24	----	1	SPRING
25	----	1	SWITCH
26	----	1	BOARD, RIGID
27	----	1	COVER, UP
29	----	2	SCREW
30	----	1	SHAFT, SMALL
31	----	1	BOARD, LINE PRESSING
32	----	2	SCREW
33	----	2	SCREW
34	----	1	WIRE
36	770182	1	KIT, GRASS BAGGER
173	----	1	BAG, CLOTH
174	----	1	FRAME, GRASS BAG
59	770178	1	KIT, RIGHT BRACKET, NA
60	----	2	BOLT
61	----	1	BOLT
62	----	1	GASKET
63	----	1	PLUG, RUBBER
64	----	1	HEIGHT ADJUST, RIGHT
65	----	1	NUT
66	----	2	NUT
157	----	1	BLOCK

## Footnotes:

# Handles Group



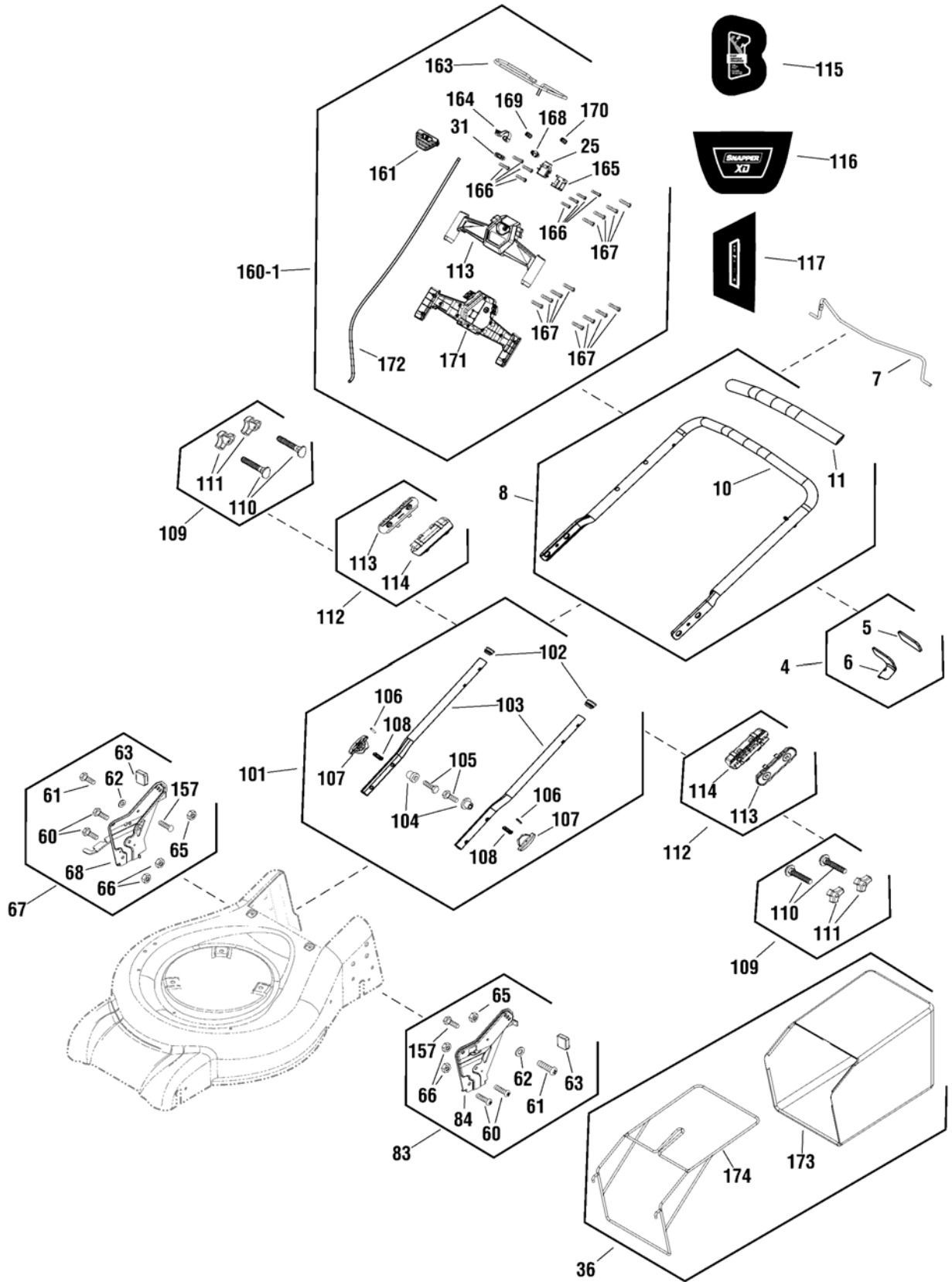
---

<b>Item</b>	<b>Part No</b>	<b>Qty</b>	<b>Description</b>
83	770179	1	KIT, LEFT BRACKET
84	-----	1	HEIGHT ADJUST, LEFT
60	-----	2	BOLT
61	-----	1	BOLT
62	-----	1	GASKET
63	-----	1	PLUG, RUBBER
65	-----	1	NUT
66	-----	2	NUT
157	-----	1	BLOCK
101	770177	1	KIT, LOWER HANDLE
102	-----	1	PLUG, RUBBER
103	-----	1	ROB, DOWN PUSH
104	-----	1	BLOCK
105	-----	1	LIMIT COLUMN
106	-----	1	PIN
107	-----	1	KNOB
108	-----	1	SPRING
109	770175	1	KIT, HARDWARE
110	-----	1	BOLT
111	-----	1	KNOB
112	770176	1	KIT, BOX, FIXED
113	-----	1	MAIN BODY, FIXED BOX
114	-----	1	COVER, FIXED BOX
115	770491	1	DECAL, XD START
116	770492	1	DECAL, XD SHROUD
117	770496	1	DECAL, CHARGER INDICATOR

---

**Footnotes:**

**Handles Group**

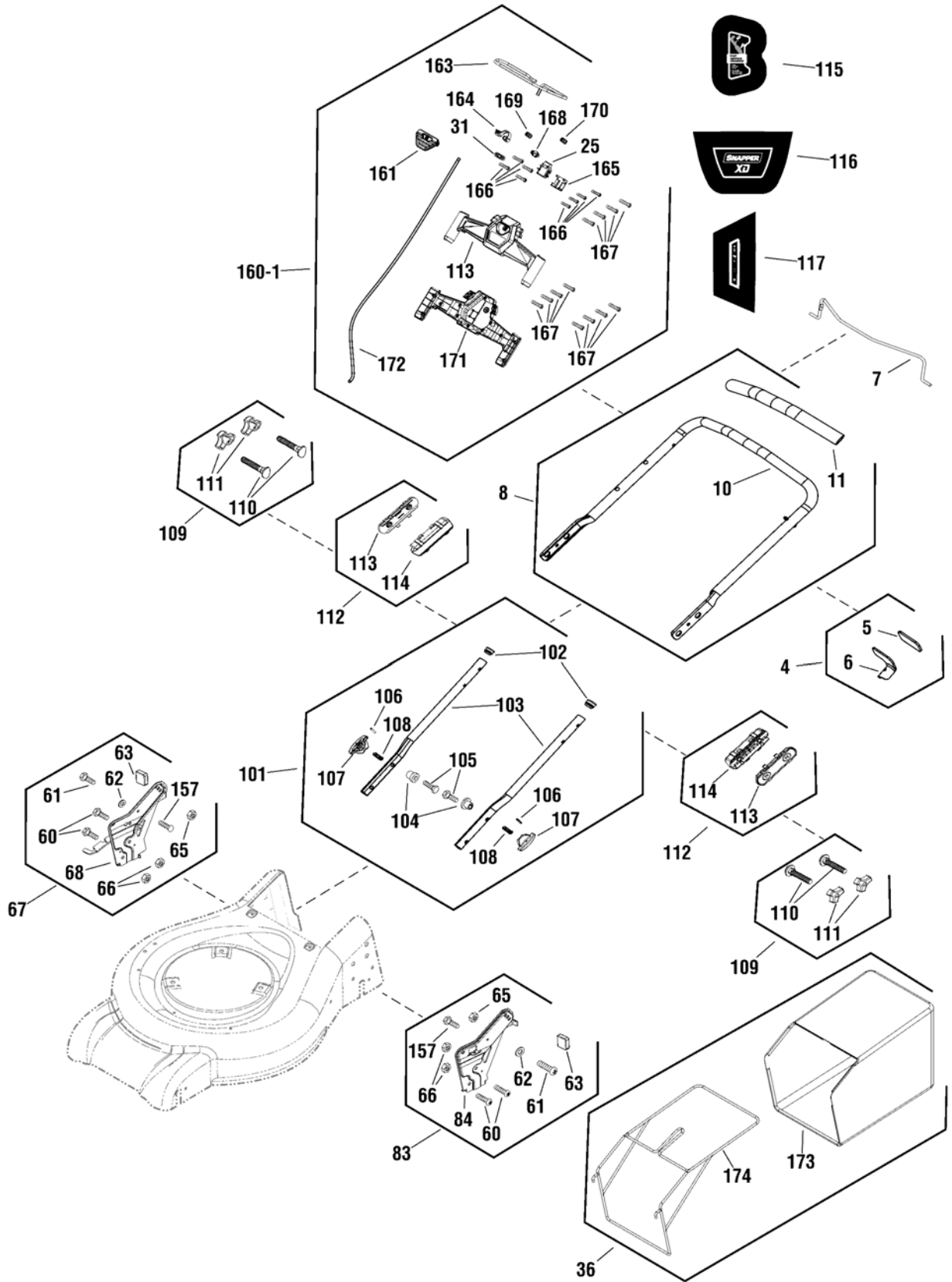




Item	Part No	Qty	Description
4	770170	1	KIT, STOP
5	-----	1	SPONGE
6	-----	1	PIECE, LIMIT
7	770169	1	KIT, LEVER
8	770346	1	KIT, UPPER HANDLE, EU
2	-----	1	SPONGE
3	-----	1	PUSH ROD, UP
11	770171	1	KIT, CABLE ASSEMBLY
12	-----	1	LASSO, THE START
13	-----	1	SLIDER
14	-----	1	SEAT, FIXED
15	-----	1	SPRING
36	770182	1	KIT, GRASS BAGGER
173	-----	1	BAG, CLOTH
174	-----	1	FRAME, GRASS BAG
67	770351	1	KIT, RIGHT BRACKET, EU
60	-----	2	BOLT
61	-----	1	BOLT
62	-----	1	GASKET
63	-----	1	PLUG, RUBBER
64	-----	1	HEIGHT ADJUST, RIGHT
65	-----	1	NUT
66	-----	2	NUT
157	-----	1	BLOCK
83	770179	1	KIT, LEFT BRACKET
84	-----	1	HEIGHT ADJUST, LEFT
60	-----	2	BOLT
61	-----	1	BOLT
62	-----	1	GASKET
63	-----	1	PLUG, RUBBER
65	-----	1	NUT
66	-----	2	NUT
157	-----	1	BLOCK
101	770177	1	KIT, LOWER HANDLE
102	-----	1	PLUG, RUBBER
103	-----	1	ROB, DOWN PUSH
104	-----	1	BLOCK
105	-----	1	LIMIT COLUMN
106	-----	1	PIN
107	-----	1	KNOB
108	-----	1	SPRING
109	770175	1	KIT, HARDWARE

## Footnotes:

**Handles Group**



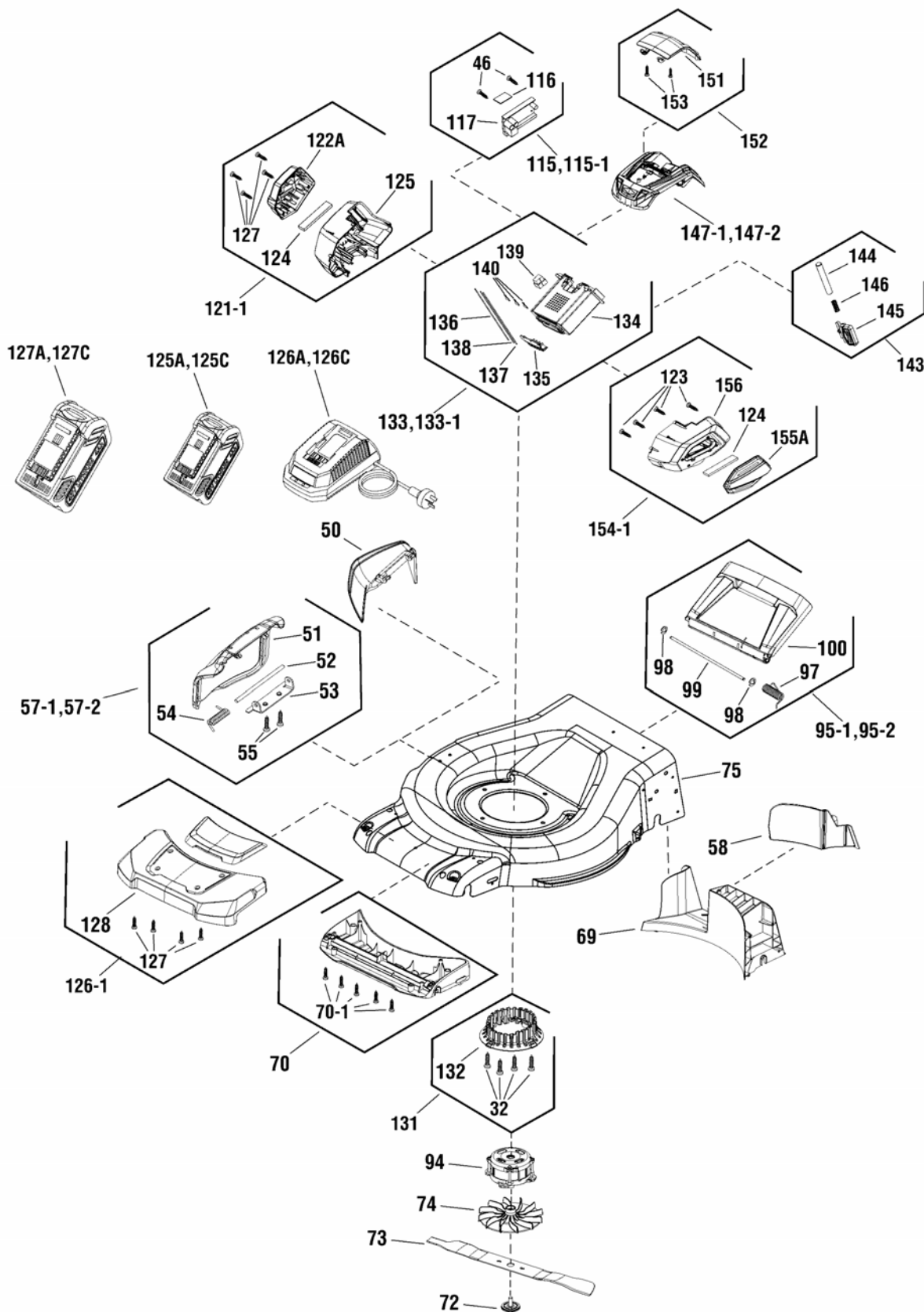
---

<b>Item</b>	<b>Part No</b>	<b>Qty</b>	<b>Description</b>
112	770176	1	KIT, BOX, FIXED
113	-----	1	MAIN BODY, FIXED BOX
114	-----	1	COVER, FIXED BOX
160-1	770352	1	KIT, SWITCH BOX COMPONENT, EU
22	-----	1	COVER, DOWN
23	-----	1	SLIDER, SWITCH
24	-----	1	SPRING
25	-----	1	SWITCH
26	-----	1	BOARD, RIGID
27	-----	1	COVER, UP
29	-----	2	SCREW
30	-----	1	SHAFT, SMALL
31	-----	1	BOARD, LINE PRESSING
32	-----	2	SCREW
33	-----	2	SCREW
34	-----	1	WIRE
115	770491	1	DECAL, XD START
116	770492	1	DECAL, XD SHROUD
117	770496	1	DECAL, CHARGER INDICATOR

Not for  
Reproduction

**Footnotes:**

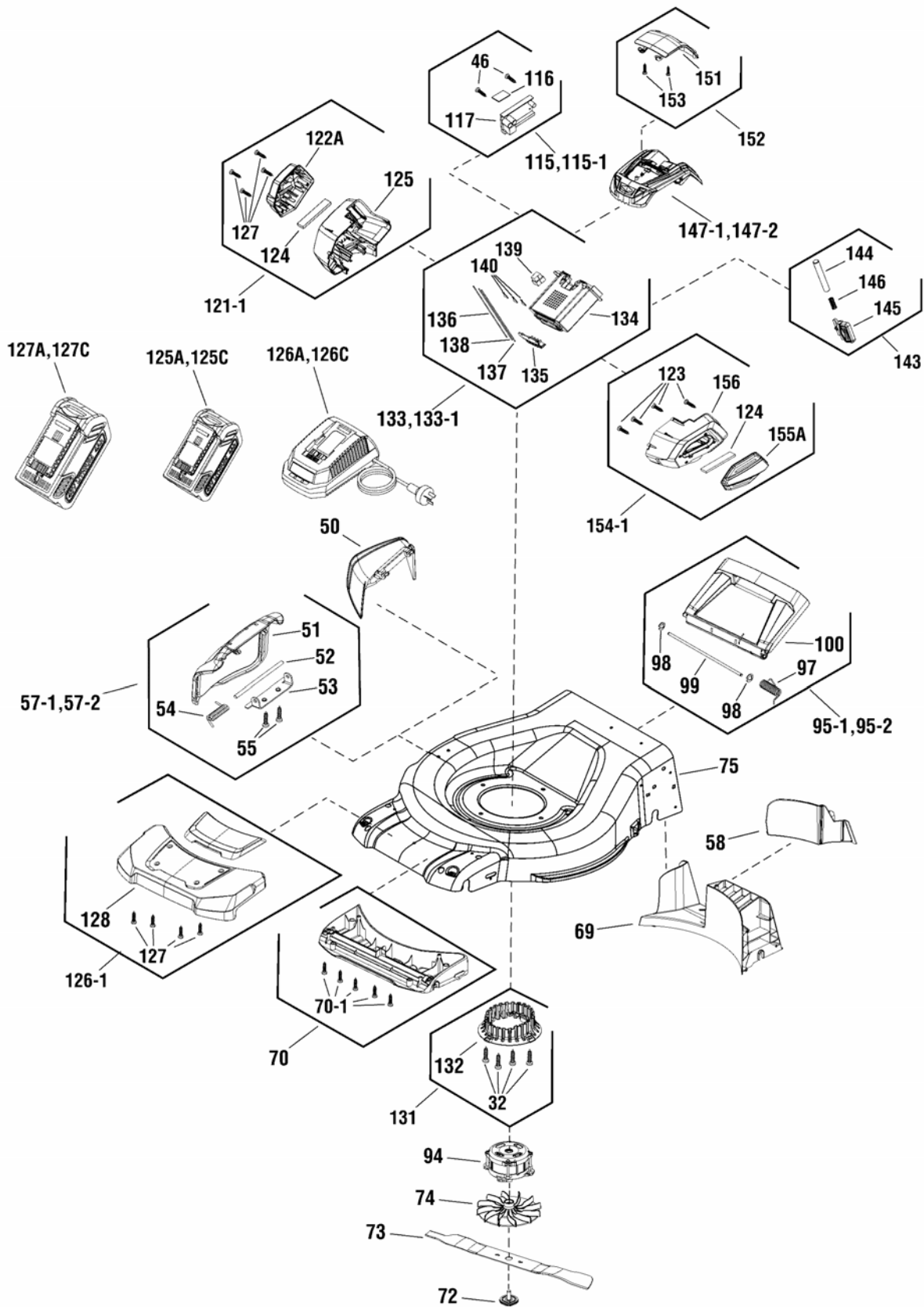
# Deck Group



Item	Part No	Qty	Description
50	770194	1	KIT, DEFLECTOR, NA & EU
57-1	770193	1	KIT, COVER, NA (Incl. Ref. 51 through 55)
57-2	770415	1	KIT, COVER, EU (Incl. Ref. 51 through 55)
51	-----	1	COVER
52	-----	1	SHAFT
53	-----	1	STENTS
54	-----	1	SPRING
55	-----	2	BOLT
58	770183	1	KIT, PLUG
69	770205	1	KIT, BACK BULKHEAD
70	770206	1	KIT, FRONT BULKHEAD
70-1	-----	11	SCREW
72	770190	1	KIT, BOLT
73	770191	1	KIT, BLADE
74	770199	1	KIT, FAN
75	770204	1	KIT, DECK
94	770174	1	KIT, MOTOR
95-1	770181	1	KIT, REAR COVER ASSEMBLY, NA (Incl. Ref 97 through 100)
95-2	770417	1	KIT, REAR COVER ASSEMBLY, EU (Incl. Ref 97 through 100)
97	-----	1	SPRING
98	-----	2	COTTER PIN
99	-----	1	SHAFT
100	-----	1	COVER, REAR
115	770203	1	KIT, PCB, NA (Incl. Ref 116,117 & 46)
115-1	770370	1	KIT, PCB EU (Incl. Ref 116,117 & 46)
116	-----	1	SENSOR
117	-----	1	21" PCB
46	-----	2	SCREW
121-1	770197	1	KIT, RIGHT COVER (Incl. Ref 122A through 125)
122A	-----	1	SIDE COVER, RIGHT
123	-----	4	SCREW
124	-----	1	DUST SCREEN
125	-----	1	MAIN HOUSE, RIGHT
126-1	770477	1	KIT, FRONT PANEL (Incl. Ref. 127 through 129)
127	-----	4	SCREW
128	-----	1	MAIN BODY, BUMPER
129	-----	1	COVER, BUMPER
131	770200	1	KIT, BASE (Incl. Ref. 32 & 132)
132	-----	1	THE BASE
32	-----	4	SCREW
133	770196	1	KIT, BATTERY COMPARTMENT ASSEMBLY, NA (Incl. Ref. 134 through 140)
133-1	770347	1	KIT, BATTERY COMPARTMENT ASSEMBLY, EU (Incl. Ref. 134 through 140)

**Footnotes:**

# Deck Group

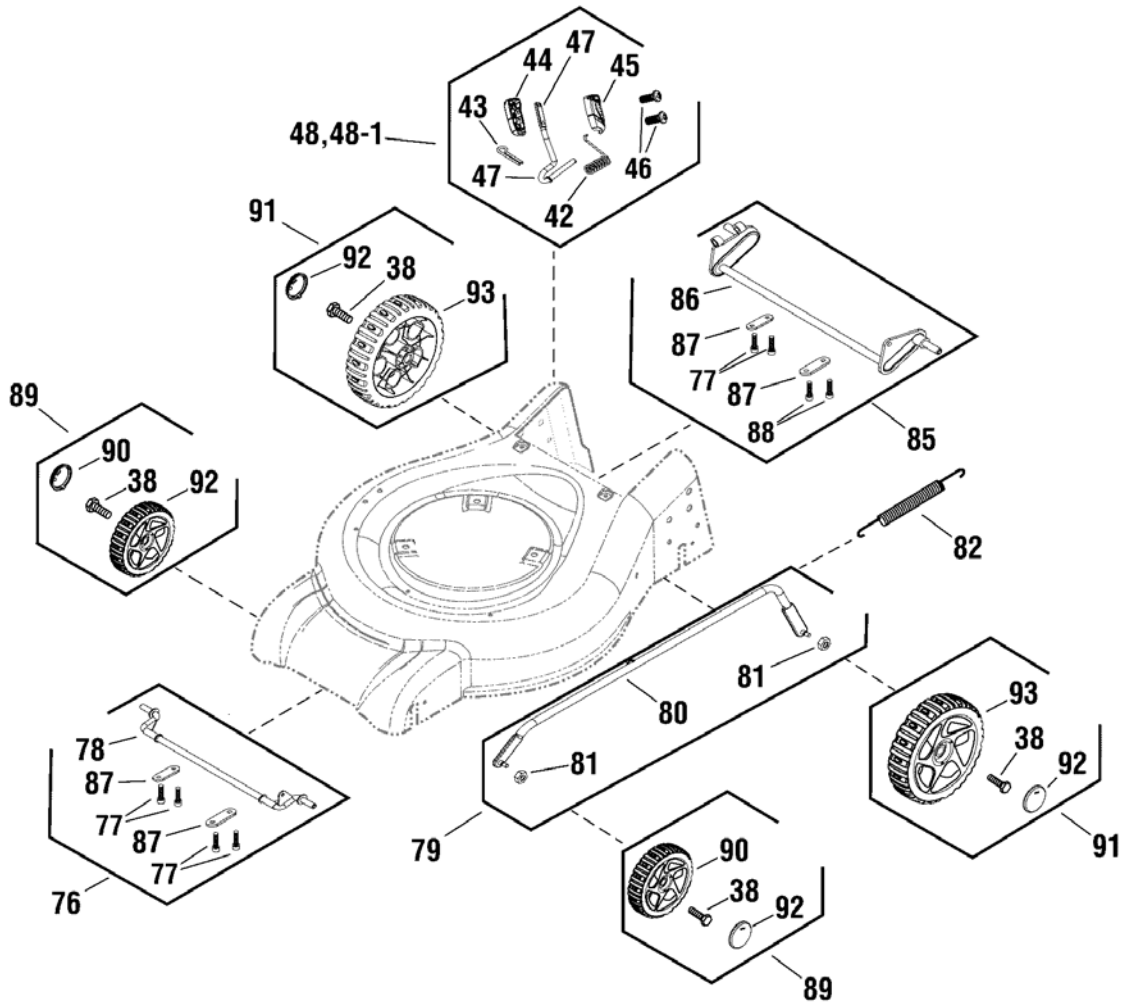


Item	Part No	Qty	Description
134	----	1	CAVITY, BATTERY PACK
135	----	1	INSERT
136	----	33cm	WIRE, RED
137	----	33cm	WIRE, YELLOW
138	----	33cm	WIRE, BLACK
139	----	1	THE SHELL
140	----	3	TERMINAL
143	770202	1	KIT, BUTTON (Incl. Ref. 144 through 146)
144	----	1	SHAFT
145	----	1	BUTTON
146	----	1	SPRING
147-1	770201	1	KIT, TOP COVER, NA
147-2	770421	1	KIT, TOP COVER, EU
152	770195	1	KIT, BATTERY COVER (Incl. Ref. 151 & 153)
151	----	1	BATTERY DOOR
153	----	2	SCREW
154-1	770198	1	KIT, LEFT COVER (Incl. Ref. 155A, 156, 123, 124)
123	----	4	SCREW
124	----	1	DUST SCREEN
155A	----	1	COVER, LEFT SIDE
156	----	1	MAIN HOUSING, LEFT
125C	1760514	1	BATTERY, 2AH, EU (OPTION)
125A	1760266	1	BATTERY, 2AH, NA (OPTION)
126A	1760263	1	CHARGER, RAPID, NA (OPTION)
126C	1760264	1	CHARGER, RAPID, EU (OPTION)
127A	1760265	1	BATTERY, 4AH, NA (OPTION)
127C	1760515	1	BATTERY, 4AH, EU (OPTION)

## Footnotes:

**Wheels Group**

---





Item	Part No	Qty	Description
48	770180	1	ASSEMBLY, HEIGHT ADJUST BAR, NA
48-1	770350	1	ASSEMBLY, HEIGHT ADJUST BAR, EU
42	----	1	SPRING
43	----	1	PIN
44	----	1	SHELL, LEFT
45	----	1	SHELL, RIGHT
46	----	2	SCREW
49	----	1	ROD, ADJUST
76	770186	1	KIT, FRONT AXLE
77	----	4	SCREW
78	----	1	SHAFT, FRONT
87	----	2	TABLET
79	770185	1	KIT, HEIGHT ADJUST, NA & EU
80	----	1	ROD, CONNECTING
81	----	2	NUT
82	770189	1	KIT, SPRING
83	770179	1	KIT, LEFT BRACKET, NA & EU
84	----	1	HEIGHT ADJUST, LEFT
60	----	2	BOLT
61	----	1	BOLT
62	----	1	GASKET
63	----	1	PLUG, RUBBER
65	----	1	NUT
66	----	2	NUT
157	----	1	BLOCK
85	770184	1	KIT, BACK AXLE
77	----	2	SCREW
86	----	1	SHAFT, BACK
87	----	2	TABLET
88	----	2	SCREW
89	770188	1	KIT, 8" WHEEL, NA & EU
90	----	1	WHEEL, 8"
92	----	1	WHEEL COVER
38	----	1	BOLT
40	----	1	GASKET
91	770187	1	KIT, 10" WHEEL, NA & EU
92	----	1	WHEEL COVER
93	----	1	WHEEL, 10"
38	----	1	BOLT
40	----	1	GASKET

## Footnotes:

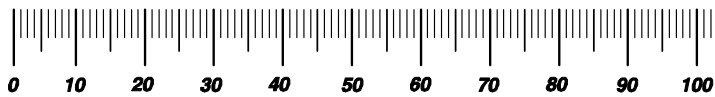
Not for  
Reproduction

# Hardware Identification & Torque Specifications

Torque Specification Chart								
FOR STANDARD METRIC MACHINE HARDWARE (Tolerance ± 20%)								
Property Class	5.6		8.8		10.9		12.9	
	Class 5.6		Class 8.8		Class 10.9		Class 12.9	
Size Of Hardware	in/lbs		in/lbs		in/lbs		in/lbs	
	ft/lbs	Nm.	ft/lbs	Nm.	ft/lbs	Nm.	ft/lbs	Nm.
M3	5.88	.56	13.44	1.28	19.2	1.80	22.92	2.15
M4	13.44	1.28	30.72	2.90	43.44	4.10	52.56	4.95
M5	26.4	2.50	60.96	5.75	5.97	8.10	7.15	9.7
M6	44.64	4.3	7.3	9.9	10.3	14	12.1	16.5
M7	5.2	7.1	12.1	16.5	16.9	23	19.9	27
M8	7.7	10.5	17.7	24	25	34	29	40
M10	15	21	35	48	50	67	59	81
M12	26	36	61	83	86.2	117	103	140
M14	42	58	101	132	136	185	162	220
M16	64	88	147	200	210	285	250	340
M18	89	121	202	275	287	390	346	470
M20	126	171	290	390	405	550	486	660
M22	169	230	390	530	559	745	656	890
M24	217	295	497	375	708	960	840	1140
M27	320	435	733	995	1032	1400	1239	1680
M30	435	590	995	1350	1401	1900	1681	2280
M33	590	800	1349	1830	1902	2580	2278	3090
M36	759	1030	1740	2360	2441	3310	2935	3980
M39	988	1340	2249	3050	3163	4290	3798	5150

Torque Specification Chart						
FOR STANDARD MACHINE HARDWARE (Tolerance ± 20%)						
Hardware Grade	No Marks		SAE Grade 5		SAE Grade 8	
	SAE Grade 2		SAE Grade 5		SAE Grade 8	
Size Of Hardware	in/lbs		in/lbs		in/lbs	
	ft/lbs	Nm.	ft/lbs	Nm.	ft/lbs	Nm.
8-32	19	2.1	30	3.4	41	4.6
8-36	20	2.3	31	3.5	43	4.9
10-24	27	3.1	43	4.9	60	6.8
10-32	31	3.5	49	5.5	68	7.7
1/4-20	66	7.6	8	10.9	12	16.3
1/4-28	76	8.6	10	13.6	14	19.0
5/16-18	11	15.0	17	23.1	25	34.0
5/16-24	12	16.3	19	25.8	29	34.0
3/8-16	20	27.2	30	40.8	45	61.2
3/8-24	23	31.3	35	47.6	50	68.0
7/16-14	30	40.8	50	68.0	70	95.2
7/16-20	35	47.6	55	74.8	80	108.8
1/2-13	50	68.0	75	102.0	110	149.6
1/2-20	55	74.8	90	122.4	120	163.2
9/16-12	65	88.4	110	149.6	150	204.0
9/16-18	75	102.0	120	163.2	170	231.2
5/8-11	90	122.4	150	204.0	220	299.2
5/8-18	100	136	180	244.8	240	326.4
3/4-10	160	217.6	260	353.6	386	525.0
3/4-16	180	244.8	300	408.0	420	571.2
7/8-9	140	190.4	400	544.0	600	816.0
7/8-14	155	210.8	440	598.4	660	897.6
1-8	220	299.2	580	788.8	900	1,244.0
1-12	240	326.4	640	870.4	1,000	1,360.0

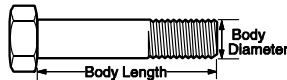
The guides and ruler furnished below are designed to help you select the appropriate hardware.



Nut, M8

Thread Diameter (mm)  
Inside Diameter (in)    Threads per inch

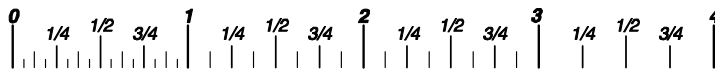
Nut, 1/2-16



Screw, M8- 1.25 x 25

Thread Diameter (mm)    Distance between threads (mm)    Body Length (mm)  
Body Diameter    Threads per inch    Body Length (in)

Screw, 1/2- 16 x 2



## Standard Hardware Sizing

When a washer or nut is identified as 1/2" (M8), this is the *Nominal size*, meaning the *inside diameter* is 1/2 inch (8mm metric thread diameter); if a second number is present it represents the *threads per inch* (distance between threads).

When bolt or capscrew is identified as 1/2 - 16 x 2" (M8 - 1.25 x 50), this means the *Nominal size*, or body diameter is 1/2 inch (8mm metric thread diameter), the second number, 16, represents the *threads per inch*, (1.25 thread diameter). The final number is the body length of the bolt or screw, 2 inches (50mm).

## NOTES

- These torque values are to be used for all hardware excluding: locknuts, self-tapping screws, thread forming screws, sheet metal screws and socket head setscrews.
- Recommended seating torque values for locknuts:
  - for prevailing torque locknuts - use 65% of grade 5 torques.
  - for flange whizlock nuts and screws - use 135% of grade 5 torques.
- Unless otherwise noted on assembly drawings, all torque values must meet this specification.

## Common Hardware Types

Hex Head Capscrew



Washer



Carriage Bolt



Lockwasher



Hex Nut



## Wrench & Fastener Size Guide

1/4" Bolt or Nut Wrench—7/16"	5/16" Bolt or Nut Wrench—1/2"	3/8" Bolt or Nut Wrench—9/16"	7/16" Bolt or Nut Wrench (Bolt)—5/8" Wrench (Nut)—11/16"	1/2" Bolt or Nut Wrench—3/4"
M6 Bolt or Nut Wrench—10mm	M8 Bolt or Nut Wrench—13mm	M10 Bolt or Nut Wrench—17mm	M12 Bolt or Nut Wrench—19mm	M14 Bolt or Nut Wrench—22mm

*Parts Manual for*

# **SNAPPER®**

## **82 VOLT BATTERY POWERED 21" WALK BEHIND MOWER**

Not for  
Reproduction

IT IS THE POLICY OF BRIGGS & STRATTON CORP TO IMPROVE ITS PRODUCTS WHENEVER IT IS POSSIBLE AND PRACTICAL TO DO SO. WE RESERVE THE RIGHT TO MAKE CHANGES OR ADD IMPROVEMENTS AT ANY TIME WITHOUT INCURRING ANY OBLIGATION TO MAKE SUCH CHANGES ON PRODUCTS

**Briggs & Stratton Yard Power Products Group**

3515 N. 124 Street / PO Box 702  
Wauwatosa, WI 53222 U.S.A.  
800-935-2967

[www.snapper.com](http://www.snapper.com)

Copyright © 2016 Briggs & Stratton Corporation  
Milwaukee, WI USA. All Rights Reserved

**Manual No. 1760808**

**Revision: - 8/30/2016**