



# OPERATING INSTRUCTIONS AND PARTS MANUAL

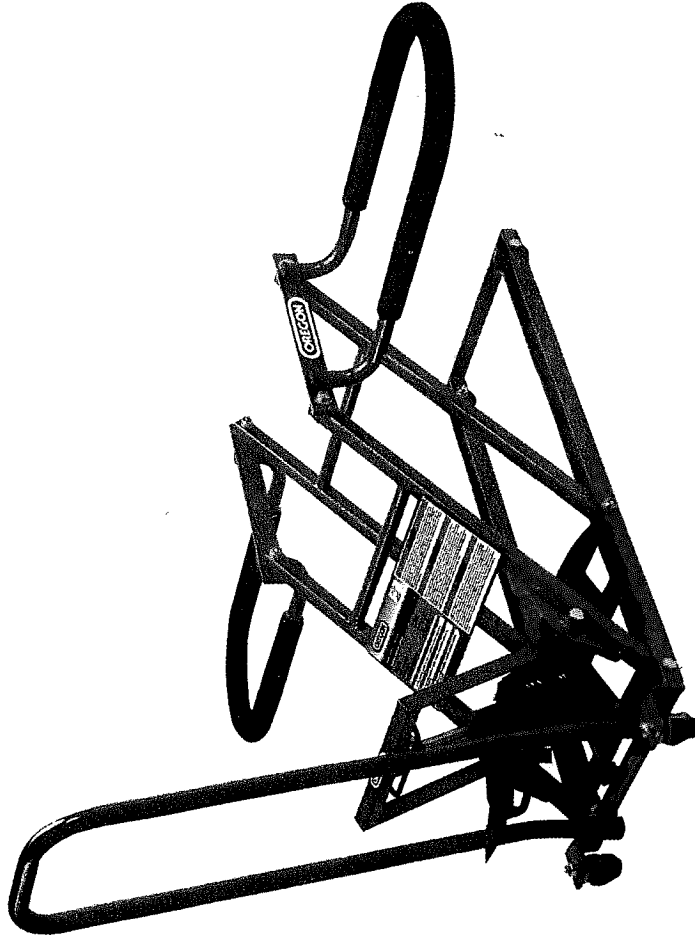
*For assembly, set up and operational use. 2 - 11*

# MANUEL DES CONSIGNES D'UTILISATION ET DES PIÈCES

*Pour le montage, le réglage et l'utilisation. 12 - 21*

# MANUAL DE PIEZAS E INSTRUCCIONES DE FUNCIONAMIENTO

*Para armado, instalación y uso operativo. 22 - 31*



READ INSTRUCTIONS  
THOROUGHLY BEFORE OPERATING  
LIRE CES DIRECTIVES EN ENTIER  
AVANT L'UTILISATION  
LEA LAS INSTRUCCIONES CON ATENCIÓN  
ANTES DE UTILIZAR EL DISPOSITIVO

ML350 Mower Lift      Lève tondeuse      Elevadora para podadoras

Capacity      350 lbs./ 159 kg      Wheel bracket      Supports de roue      Soporte de rueda

## Safety and General Information



This is the safety alert symbol. It is used to alert you to potential personal injury hazards. Obey all safety messages that follow this symbol to avoid possible injury or death.

### SAVE THESE INSTRUCTIONS

For your safety, read, understand, and follow the information provided with and on this lift. The owner and operator of this equipment shall have an understanding of this lift and its safe operating procedures before attempting to use. The owner and operator shall be aware that use and repair of this product may require special skills and knowledge. If any doubt exists as to the safe and proper use of this lift, remove from service immediately.

### INSPECT BEFORE EACH USE

Do not use if broken, bent, cracked or damaged parts are noted. Any lift that appears damaged in any way, operates abnormally, or is missing parts, must be removed from service immediately. If the lift has been, or is suspected to have been subjected to a shock load (a load dropped suddenly, unexpectedly upon it), immediately discontinue use until it has been examined by an OREGON® authorized service center. It is recommended that an annual inspection be done by qualified personnel. Labels and Operator's Manuals are available from OREGON®.

# Warning

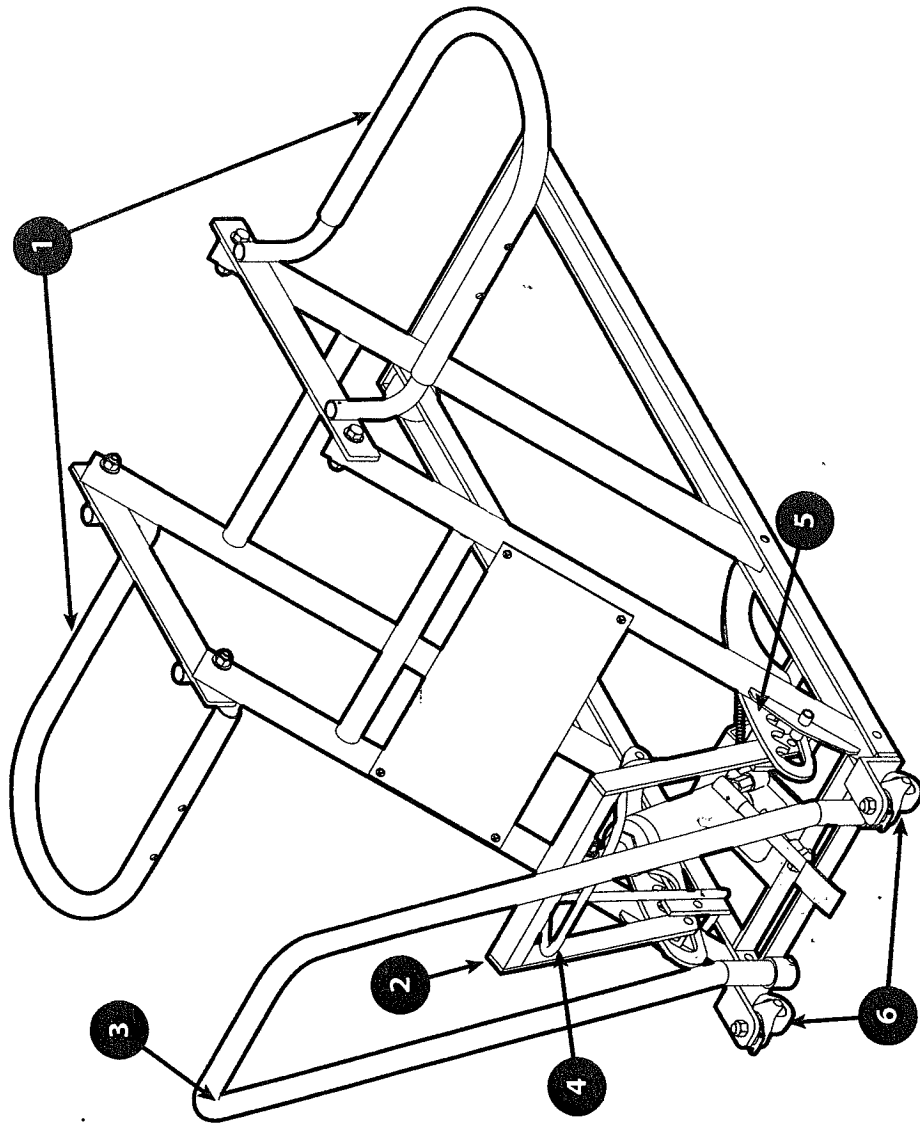


- Study, understand and follow all instructions before operating this device.
- Use of this product is limited to lifting, lowering and holding loads consisting of a single mower compatible with the lifting platform. Incompatibility is evident when the loaded mower wobbles, appears unstable, and/or does not securely engage the wheel baskets.
- Do not exceed rated capacity.
- Use only on hard, level surfaces.
- Center load on lift platform.
- Immediately after lifting load, ensure lift mechanical load holding device is engaged.
- Never work on, around or under a load that is not secured and stable.
- Keep operator's and bystander's head, hands and feet away from lift arms when raising and lowering.
- No alterations shall be made to this product.
- Only attachments, restraints or adapters supplied by the manufacturer shall be used.
- Failure to heed these messages may result in personal injury and/or property damage.

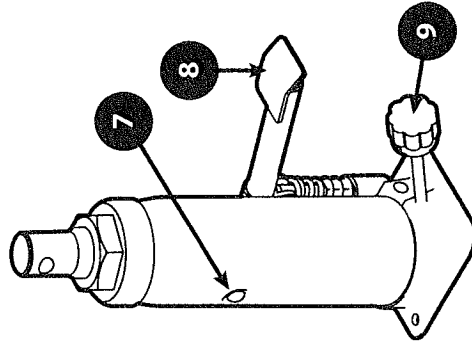
# Specifications

BASE SIZE (L X W)	LIFT SURFACE	CAPACITY	COMPATIBLE WHEEL TRACK	LIFT HEIGHT
38-1/2" x 14-1/8"	Wheel Bracket	350 lbs.	46" – 51" outside span	22"

# Product Description



- 1 WHEEL BRACKETS
- 2 CROSSHEAD ASSEMBLY
- 3 REAR HANDLE
- 4 HEIGHT UNLOCKING HANDLE
- 5 HEIGHT LOCKING LEVER
- 6 CASTERS
- 7 OIL FILLER PLUG
- 8 LIFT PEDAL
- 9 RELEASE VALVE



**ML350**

**ML350  
MANUAL  
HYDRAULIC UNIT**

The OREGON® Mower Lift is specifically designed to lift, and support, up to rated capacity loads consisting of a single riding lawn mower whose frame is compatible with the lifting members of the lift. This lift is **NOT** suitable for lifting, leveling and/or positioning cars, trucks, SUVs or conveyances other than those specifically listed and approved above. This lift is **NOT** suitable for lifting, leveling and/or positioning houses, construction trailers or dwellings in general. This product is designed to be permanently assembled. The Hydraulic Unit is not to be used independently of the lift.

## INSPECT LIFT BEFORE EACH USE

1. Before using this product, read the owner's manual completely and familiarize yourself thoroughly with the product, its components and recognize the hazards associated with its use.
2. Ensure that rollers and lift arms move freely. Check for and tighten any loose assemblies. Do not use if cracked, broken, bent or otherwise damaged parts are noted or if the lift is suspected to have been subjected to a shock load. A shock load is caused by rapidly opening and closing the release valve while the lift is loaded. Such operation may result in a hydraulic overload which may damage the hydraulic unit.
3. Verify that the product and the application are compatible. Incompatibility is evident when the loaded mower wobbles, feels unstable, and/or does not set securely in the lift's wheel baskets. Tying down incompatible loads will not make the loads secure and may cause unexpected loss of load resulting in personal injury and/or property damage.
4. To familiarize yourself with basic operation, place Hydraulic Unit in an upright, level position then turn Release Knob:
  - a. Clockwise until firm resistance is felt to further turning. This is the 'CLOSED' release valve position used to *raise* the ram plunger.
  - b. Counter-clockwise, but no more than 1/2 turn from the closed position. This is the 'OPEN' release valve position used to *lower* the ram plunger.
5. Owner and operators of this device shall be aware that no serviceable or replaceable parts are available for this device other than those parts listed on page 10. Any lift that appears to be damaged in any way, is worn or operated abnormally must be removed from service immediately until such time as repairs can be made. Do not attempt to weld, rivet or otherwise repair this device.
6. **DO NOT** modify or alter this device. It is recommended that an annual inspection be done to this device by qualified persons and that missing or damaged labels or warning/safety decals be replaced with factory authorized labeling.

## BLEEDING/VENTING TRAPPED AIR

With the Release Knob in the OPEN position (step 4b, this page) and Ram fully lowered, locate and remove the oil filler screw. As screw is removed, pressurized air may be heard escaping from the reservoir.

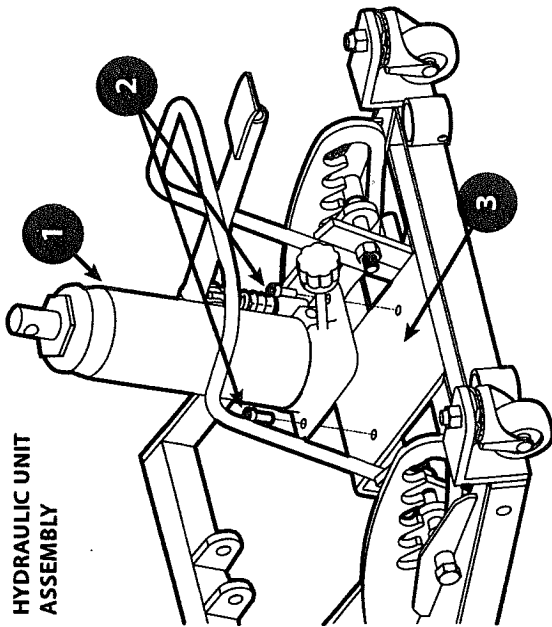
**CAUTION: RESERVOIR MAY BE UNDER PRESSURE AND HYDRAULIC OIL MAY BE EXPELLED.**

This means trapped air has been successfully removed from the system. With Lift Pedal in the sleeve, pump six to eight full strokes. This will help release any pressurized air still trapped within the reservoir. Oil level should be even with the bottom of the oil filler hole. Reinstall the oil filler plug/screw.

# Assembly

**FIGURE 1**

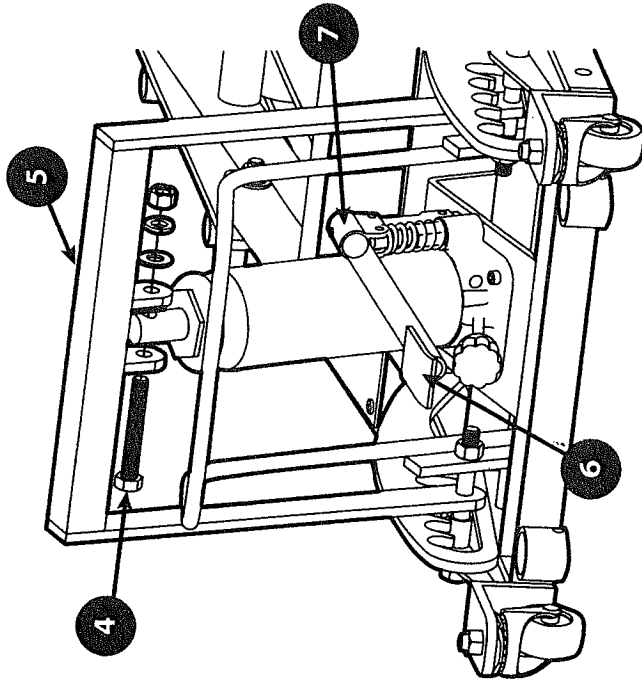
**HYDRAULIC UNIT ASSEMBLY**



- ① HYDRAULIC UNIT
- ② HYDRAULIC UNIT HARDWARE
- ③ RECEIVER PLATFORM

**FIGURE 2**

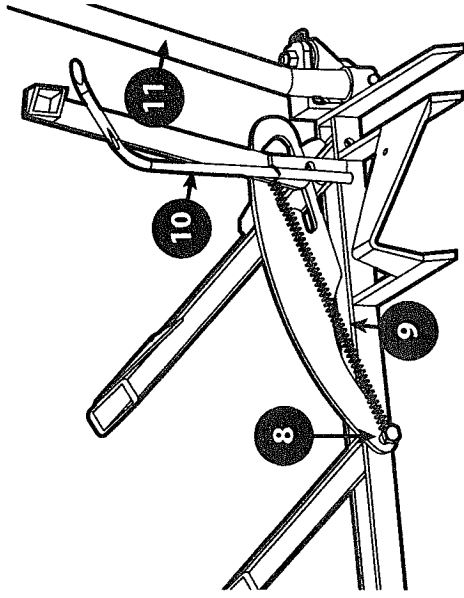
**CONNECT HYDRAULIC UNIT TO CROSSHEAD**



- ④ BOTTLE JACK RAM CONNECTING BOLT
- ⑤ CROSSHEAD ASSEMBLY
- ⑥ LIFT PEDAL
- ⑦ LIFT PEDAL SLEEVE

**FIGURE 3**

**INSTALL SPRING TO FRAME**



- ⑧ MIDDLE FRAME BOLT
- ⑨ AUTOMATIC LOCKING SPRING
- ⑩ HEIGHT UNLOCKING HANDLE
- ⑪ REAR HANDLE

1. Attach Hydraulic Unit to receiver platform and secure with provided bolts. (Figure 1)
2. Insert the Bottle Jack Ram Bolt to connect the Bottle Jack to the cross head (if holes do not line up, twist the Bottle Jack Ram until they are aligned). (Figure 2)
3. Install Lift Pedal into Sleeve.


4. Install spring around the middle bolt on the frame and the Height Unlocking Handle. (Figure 3)
5. Install rear handle into frame and secure using the provided pin.
6. Install Wheel Brackets (pg. 4) using hardware provided.

7. After assembly, ensure lift rolls freely, lifts, locks and lowers easily, and that Bottle Jack operates smoothly before putting into service. Familiarize yourself with operation of Height Locking Lever and Lift Pedal.

SYMPTOM	POSSIBLE CAUSES	CORRECTIVE ACTION
Hydraulic Unit will not lift load	<ul style="list-style-type: none"> <li>Release Valve not tightly closed</li> <li>Overload condition</li> </ul>	<ul style="list-style-type: none"> <li>Ensure Release Valve tightly closed</li> <li>Reduce overload condition</li> </ul>
Hydraulic Unit bleeds off after lift	<ul style="list-style-type: none"> <li>Overload condition</li> <li>Hydraulic unit malfunction</li> </ul>	<ul style="list-style-type: none"> <li>Remedy overload condition</li> <li>Contact OREGON® Tech Services</li> </ul>
Lift will not lower after unloading	<ul style="list-style-type: none"> <li>Reservoir overfilled</li> <li>Linkages binding</li> </ul>	<ul style="list-style-type: none"> <li>Drain fluid to proper level</li> <li>Clean and lubricate moving parts</li> </ul>
Poor lift performance	<ul style="list-style-type: none"> <li>Fluid level low</li> <li>Air trapped in system</li> </ul>	<ul style="list-style-type: none"> <li>Ensure proper fluid level</li> <li>Follow <b>Bleeding/Venting Trapped Air</b> procedure, pg. 5</li> </ul>
Will not lift to full extension	<ul style="list-style-type: none"> <li>Fluid level low</li> </ul>	<ul style="list-style-type: none"> <li>Ensure proper fluid level</li> </ul>

## Operation

- Position mower tires securely on Wheel Baskets, centering the load on lift. Mower should be off with transmission in NEUTRAL and parking brake released during lifting and lowering.
- To familiarize yourself with basic operation, rotate the release valve knob:
  - Clockwise until firm resistance is felt to further turning. This is the 'CLOSED' release valve position used to raise the ram plunger.
  - Counter-clockwise, but no more than one turn from the closed position. This is the OPEN release valve position used to lower the ram plunger.
- Locate and pump the Lift Pedal until the Wheel Baskets begin to rise, monitoring mower and lift closely.
- Continue pumping until load has reached desired height. Final height must correspond with the locking teeth on the Height Locking Lever.
 



**CAUTION:**  
Be sure all tools and personnel are clear before lowering load.
- Turn the Release Valve counterclockwise until the Lift engages the Height Locking mechanism fully before working on or around the loaded lift. Apply parking brake when mower is at desired height.
- To lower lift, put the mower in neutral and raise Lift Platform slightly to disengage Height Locking Levers, then pull Height Unlocking Lever back and carefully turn Release Valve counterclockwise, lowering the load slowly.

# Maintenance

Keep lift clean and well lubricated. Apply light machine oil to all joints as needed. Thoroughly wipe excess oil to prevent slipping. Use only quality grade hydraulic oil. Avoid mixing different types of fluid and **NEVER** use brake fluid, turbine oil, transmission fluid, motor oil or glycerine. Improper fluid can cause jack failure.

## ADDING OIL

1. To check hydraulic oil level, remove unit from lift, place unit upright on a stable, level surface. Remove oil filler plug.
2. Oil should be even with Filler Plug hole. If low, add high quality hydraulic jack oil ONLY.
3. Reinstall Filler Plug and Bottle Jack into receiver of lift. Secure with provided hardware.

## CHANGING OIL

To get the longest life possible out of your lift, change the hydraulic oil after seven years of use, sooner if used in a dust and grit filled environment. Do not expose to moisture. Dry lift completely if it gets wet. Check pump piston and ram of hydraulic unit periodically for signs of rust and corrosion. Clean mildly affected areas with a clean oily cloth. Never use abrasives on the pump piston and ram surfaces.

1. Remove hydraulic unit from lift. Place unit upright on a stable, level surface. Remove oil filler plug and drain old oil into a suitable container.

## NOTICE:

- Dispose of used hydraulic fluid in accordance with local environmental regulations.
2. Fill with high quality hydraulic jack oil. Reinstall Filler Plug then install Jack to lift.

## CLEANING

Check pump piston and ram occasionally for signs of rust or corrosion. Clean as necessary and wipe with oily cloth.

## STORAGE

When lift is not in use, lifting arm should be stored in fully retracted position.



## **THE OREGON® CUSTOMER-SATISFACTION POLICY LIMITED WARRANTY**

OREGON® | Blount, Inc. warrants its products to be free from defects in materials and workmanship for as long as they are owned by the original retail purchaser.

If you like our products, please tell your friends. If you are not satisfied with our products, for any reason, please tell us. OREGON® wants to provide you with products that perform to your full satisfaction. We welcome you to contact us as shown in the last paragraph.

LIABILITY UNDER THIS WARRANTY IS LIMITED TO REPLACEMENT PARTS, AT THE OPTION OF YOUR OREGON® DISTRIBUTOR AND OREGON®. PLEASE CONTACT YOUR OREGON® DISTRIBUTOR OR US DIRECTLY. OREGON® PRODUCTS ARE NOT WARRANTED AGAINST NORMAL WEAR AND TEAR, USER ABUSE, IMPROPER MAINTENANCE OR IMPROPER REPAIR. REPLACEMENT OF DEFECTIVE PRODUCT IS THE EXCLUSIVE REMEDY UNDER THIS WARRANTY AND ANY APPLICABLE IMPLIED WARRANTY. THE REPLACEMENT WILL BE UNDERTAKEN AS SOON AS REASONABLY POSSIBLE AFTER RECEIPT OF THE DEFECTIVE PRODUCT. TO THE EXTENT PERMITTED BY LAW, ANY IMPLIED WARRANTY OF MERCHANTABILITY OR FITNESS FOR A PARTICULAR PURPOSE APPLICABLE TO THIS PRODUCT IS LIMITED TO THE DURATION AND SCOPE OF THIS EXPRESS WARRANTY. OREGON® SHALL NOT BE LIABLE FOR ANY CONSEQUENTIAL OR INCIDENTAL DAMAGES. SOME STATES DO NOT ALLOW LIMITATIONS ON HOW LONG AN IMPLIED WARRANTY LASTS OR DO NOT ALLOW THE EXCLUSION OF CONSEQUENTIAL DAMAGES, SO THE ABOVE LIMITATION OR EXCLUSION MAY NOT APPLY TO YOU. THIS WARRANTY GIVES THE ORIGINAL OWNER SPECIFIC LEGAL RIGHTS, AND YOU MAY ALSO HAVE OTHER RIGHTS WHICH VARY FROM STATE TO STATE.

To contact us in the U.S.A. regarding OREGON® Outdoor Equipment Parts (lawnmower blades and replacement parts for small engines, lawnmowers and many other types of outdoor power equipment), we welcome your calls between the hours of 7:30 a.m. and 4:30 p.m. (Pacific Time), Monday through Friday at 800-223-5168, or you can write to: Technical Services Department, Oregon Outdoor Equipment Parts, OREGON®, Blount, Inc., P.O. Box 22127, Portland, Oregon 97222, or you can contact us by email at [techservices@oregonoep.com](mailto:techservices@oregonoep.com).

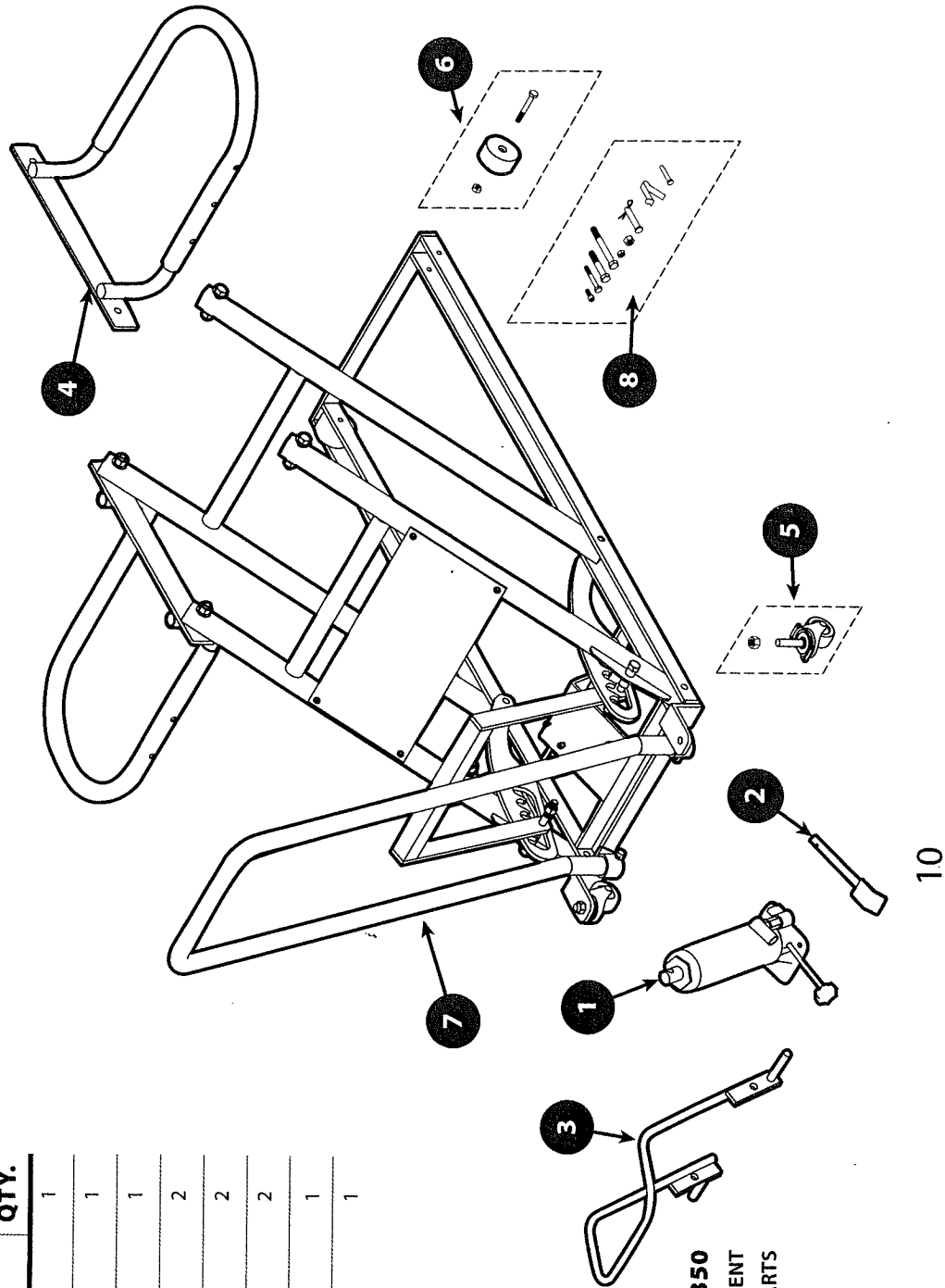
# Replacement Parts

## AVAILABLE PARTS

Please refer to the parts drawing when ordering parts. Not all components of the Lift are replacement items, but are illustrated as a convenient reference of location and position in the assembly sequence. When ordering parts, give Model number, serial number and description.

ITEM	PART NO.	DESCRIPTION	QTY.
1	559213	2-Ton Bottle Jack	1
2	559214	Foot Pedal	1
3	559215	Height Unlocking Handle	1
4	559216	Wheel Bracket	2
5	559217	Swivel Caster Assembly	2
6	559218	Front Roller Assembly	2
7	559359	Handle w/Pin	1
8	559360	Complete Hardware Kit	1

Call or write for current pricing:  
Oregon Outdoor Equipment Parts, OREGON®, Blount, Inc., P.O. Box 22127, Portland, Oregon 97222, 800-223-5168, or you can contact us by email at [techservices@oregonoep.com](mailto:techservices@oregonoep.com)



**ML350**  
REPLACEMENT  
PARTS