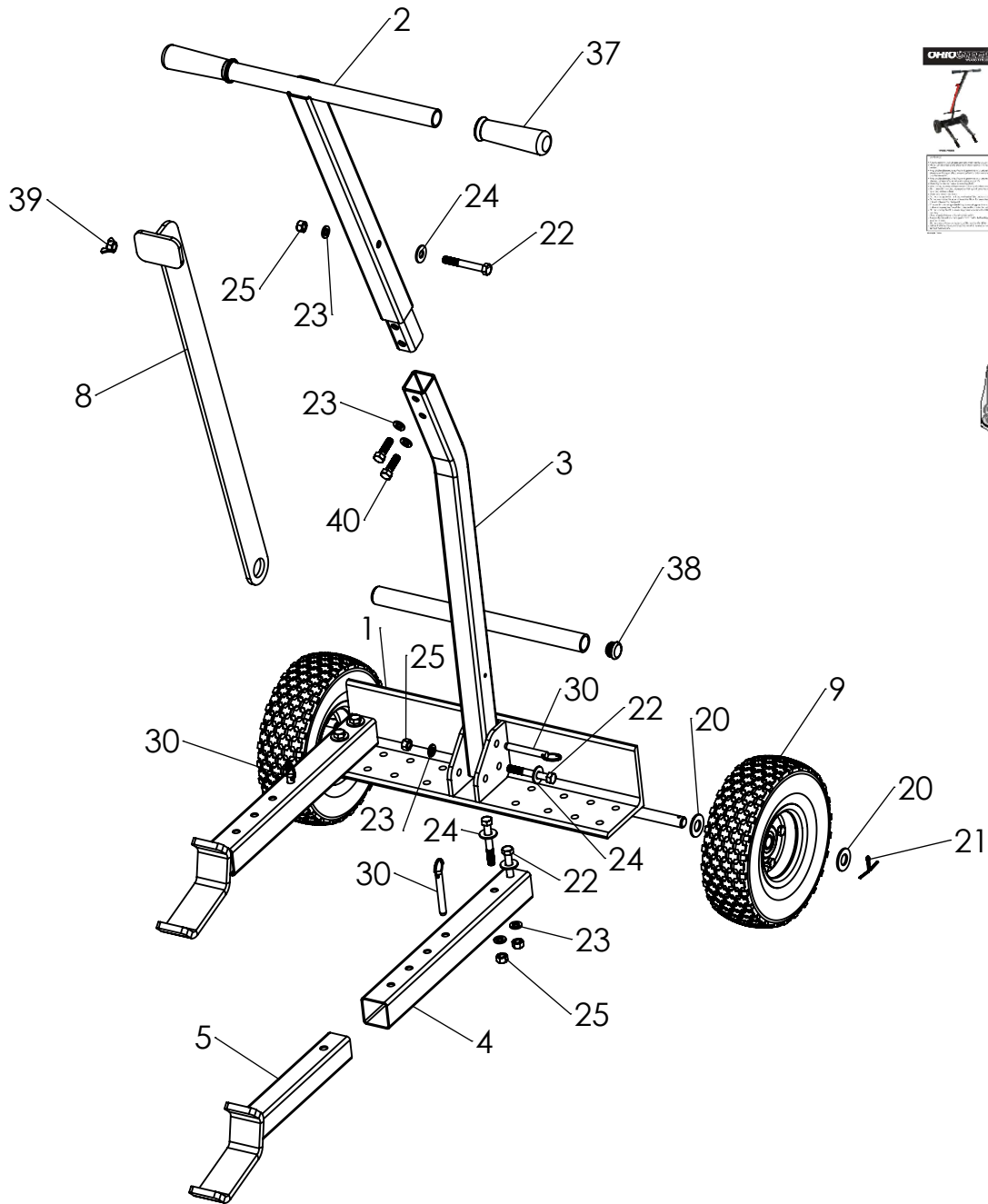


Service Parts List



11



10A

REF. NO.	PART NO.	AMT.	DESCRIPTION	REF. NO.	PART NO.	AMT.	DESCRIPTION
1	510011	1	Angle Frame	21	300081	2	Cotter Pin 1/8" x 1-1/2"
2	510024	1	Handle Top	22	310051	6	3/8"-16 x 2-3/4" Hex Bolt
3	510032	1	Handle Bottom	23	310072	8	3/8" Split Lock Washer
4	410091	2	Receiver Tube	24	310073	6	3/8" USS Flat Washer
5	510042	2	Lift Tube	25	310062	6	3/8"-16 Hex Nut
8	51006	1	Stabilizer Bar	30	310081	3	3/8" x 2-1/8" Ring Grip Pin
9	310011	2	Tire 4.10/3.50-4	37	310181	2	Handle Grip
10A	310035	1	Hardware Bag #1	38	310221	2	Tube Plug RT8-1
11	6000161	1	Assembly Manual	39	310064	1	3/8"-16 Wing Nut
20	310071	4	5/8" SAE Flat Washer	40	310055	2	3/8"-16 x 1-1/4" Hex Bolt