

If there are any missing parts please call 1-800-652-2321.

4T Lawn Roller

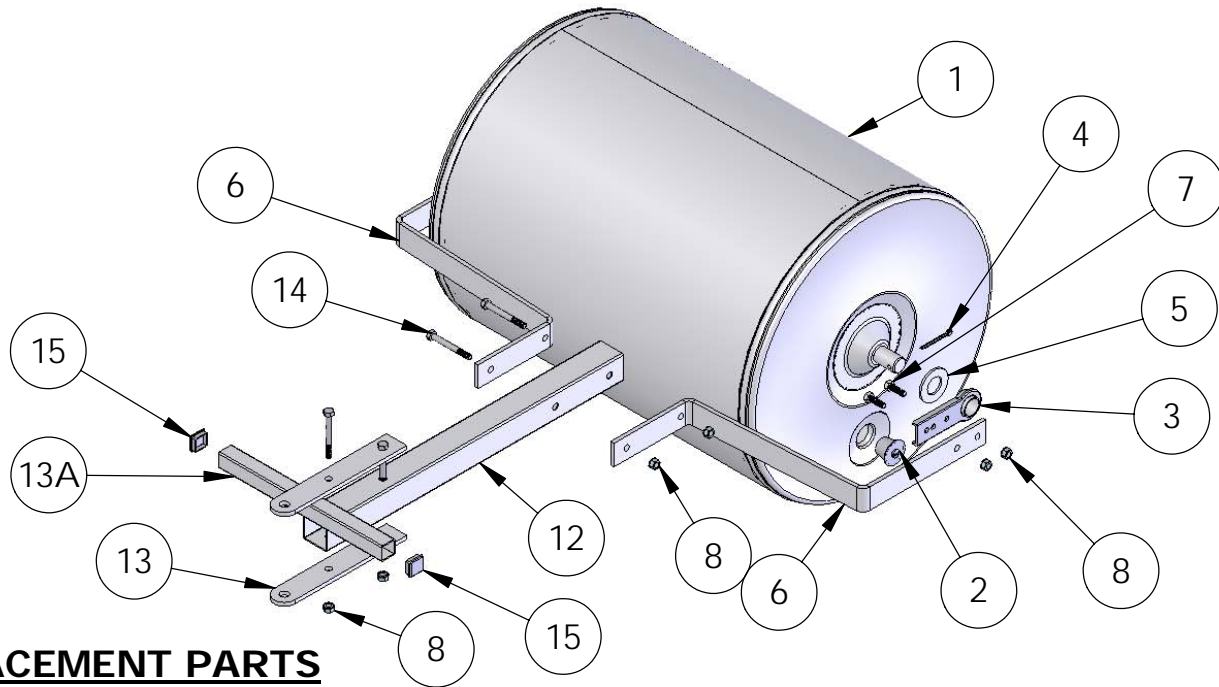
OPERATION

Though most rollers are filled with water, we recommend adding Ethylene Glycol Anti-Freeze with the water. This will protect the tank from damage during cold weather. It is also recommended that the anti-freeze used, contain a rust inhibitor to protect the inside of the tank against rust. If the roller is filled with water only, it must be drained whenever the temperature drops below 32 degrees F. (0 degrees C.).

The roller weighs approximately 250 pounds when filled.

ASSEMBLY INSTRUCTIONS

1. Attach hub (3) to each of the side bars (6) with two 5/16" bolts (7) and 5/16" nuts (8).
2. Slide these assemblies over the axle, add flat washer (5) and lock in place by inserting and spreading ends of the cotter pins (4).
3. Add hitch tube (12) to side bars using 5/16" bolts (14) and 5/16" nuts (8).
4. Add clevis bars (13) to hitch tube with 5/16" bolts (14) and 5/16" nuts (8).



REPLACEMENT PARTS

PART NO.	REF. NO.	AMT.	DESCRIPTION
4T-01A	1	1	DRUM ASSEMBLY
48T-02A	2	1	PLUG
9W-03	3	2	HUB WITH SLEEVE BUSHING
48T-04	4	2	COTTER PIN
48T-05	5	2	1" AXLE WASHER
4T-06A	6	2	SIDE BAR
9W-07	7	4	BOLT 5/16"-18 X 1" HEX BOLT
9W-08A	8	8	NUT 5/16"-18 KEPS
4T-12A	12	1	HITCH TUBE
48T-13	13	1	CLEVIS BAR
4T-13A	13A	1	CLEVIS BAR & HANDLE ASSEMBLY
9W-14	14	4	BOLT 5/16"-18 X 2 3/4" HEX BOLT
4T-15	15	2	BLACK SQUARE POLY PLUG

When ordering replacement parts, Please include part numbers and description.