

MULCH KIT: MODEL OEM-190-193

Operator's Manual

NOTE: Model 193 Mulch Kit is designed for use on tractors equipped with 48/50/54-inch cutting deck only. This will NOT mount, nor operate safely or properly on any other tractor regardless of the tractor's compatibility with similar accessories.



WARNING: Restrict the use of this accessory and the tractor to persons who read, understand and follow the warnings and instructions in this manual, the tractor manual and on the machine.

Customer Support

1. Visit mtdproducts.com for many useful suggestions; click on Customer Support button to access database.
2. If you prefer to reach a Customer Support Representative in person, please call **1(800) 800-7310**.

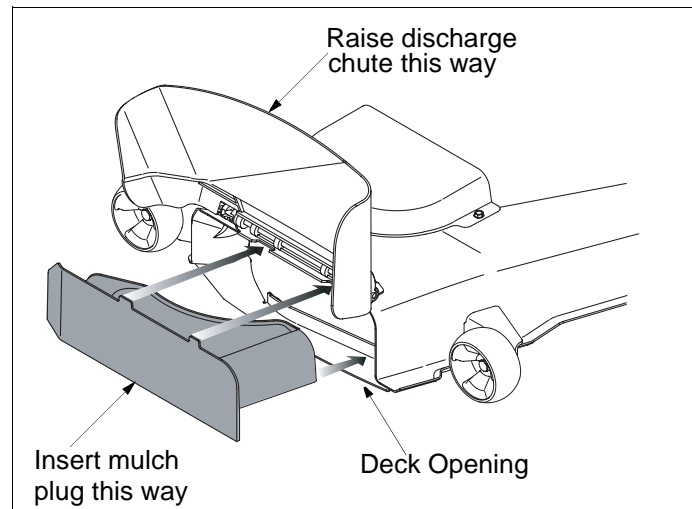
Locating Model Number

Before you install this kit, please locate the model plate on the mulch plug and note the model and serial numbers. This information will be necessary to use the manufacturer's web site and/or seek help from Customer Support Department or service dealer.

Installing Mulch Plug

The mulch kit consists of a mulch plug (part number 731-04651) which has to be installed on the cutting deck of your tractor. Observe safety while installing and later operating this mulch plug.

- Locate two rectangular holes on the cutting deck surface.
- Pivot the discharge chute up to access the deck opening. See Figure.
- Insert the mulch plug in the deck opening, aligning the edge of the plug with the deck as shown in the figure. Make sure the notches on the plug are in the slots on the deck opening.
- Lightly tab on the plug with your hand so that the notches fit properly under the chute tabs and the plug is secure.



Operating Mulch Plug

The mulch plug allows the tractor to recirculate grass clippings into the lawn where they act as a natural fertilizer.

Observe following points for best results in mulching:

- Never attempt to mulch if the lawn is damp. Wet grass tends to stick to the underside of the deck preventing proper mulching.
- Do not attempt to mulch more than 1/3 the total height of the grass or approximately 1-1/2 inches. Maintain a slow ground speed to allow the grass clippings more time to effectively be mulched.
- Always position the throttle control lever of the tractor in the FAST (rabbit) position while mulching.
- To operate the cutting deck without mulching, simply remove the mulch plug and lower the discharge chute slowly. This will allow clippings to discharge from the side.