

INCLUDED COMPONENTS

TOOLS REQUIRED



1/2" SOCKET WRENCH

NOTE:
 IF YOU PURCHASED A COMPLETED BROADCAST SPRAYER, FOLLOW THE SPOT SPRAYER MANUAL AND MOUNT KIT ASSEMBLY INSTRUCTIONS BEFORE YOU COMPLETE BOOM ASSEMBLY STEPS.

SPRAYING SIMPLE **FREE**
 MOBILE SPRAY ASSISTANT

INTEGRATE YOUR SPRAY EQUIPMENT AND ACREAGE. CALCULATE YOUR NEEDED LIQUID AND APPLICATION SPEED.

1. PARTS

TOOLS

None

Caps the Flush Port

Place Gasket inside Flush Port Cap.
 Push onto end of Boom Assembly and twist to lock.



2. PARTS

TOOLS

None

Installs Nozzle Elbows

Insert Gasket into the Nozzle Elbow.
 Push Nozzle Elbow onto one of the open Nozzle Assembly Ports and twist to lock.

NOTE: This step is repeated for each end of the Boom Assembly.



3. PARTS

TOOLS

None

Insert Nozzle Strainer into Nozzle Elbow, then Insert Gasket into Boomless Nozzle Cap.

Press the Boomless Nozzle Cap onto the Nozzle Elbow and twist to lock.

NOTE: This step is repeated for each end of the Boom Assembly.

Attaches Boomless Nozzle Caps



4. PARTS

TOOLS

None

Thread Boomless Nozzle labeled 088RSX onto the right Boomless Nozzle Cap, ensuring the cutout is pointing down.

Repeat for the left Boomless Nozzle labeled 088LSX

NOTE: Each nozzle is labeled: 088RSX for right, and 088LSX for left.

Installs the Boomless Nozzles



5. PARTS

TOOLS

None

Place Fan Tip into Fan Nozzle Cap.

Insert Gasket into Fan Nozzle Cap.

Place Nozzle Strainer into Nozzle Assembly Port.

Press Fan Nozzle Cap onto Nozzle Assembly Port and twist to lock.

Installs 3 Flat Fan Nozzles



NOTE: This step is repeated for each end and center of the Boom Assembly.

6. PARTS

TOOLS

Socket Wrench

Remove the Nuts from the U-Bolts and place the U-Bolts over the pipe of the Boom Assembly.

Insert the U-Bolts through the holes in the Mounting Plates and secure the Nuts with a Socket Wrench.

Installs Boom Mounting Plates to Boom Assembly

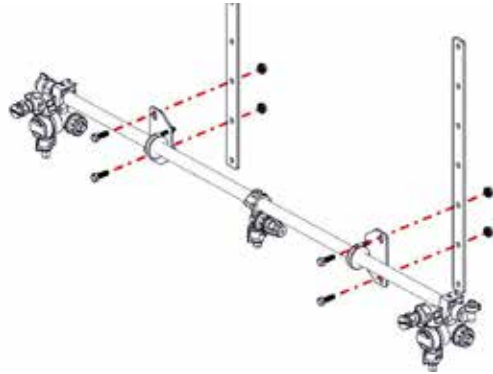


7.

PARTS



TOOLS



NOTE: Boom Upright Brackets may not be needed. Consult Mount Kit Assembly instructions.

Attaches Boom to Mounting Brackets



Secure Boom Assembly to Boom Upright Brackets with 1" Bolts and Flange Nuts. Tighten with Socket Wrench.

Use remaining 1" Bolts and Flange Nuts to install Boom Assembly with Boom Upright Brackets to Mount Kit.

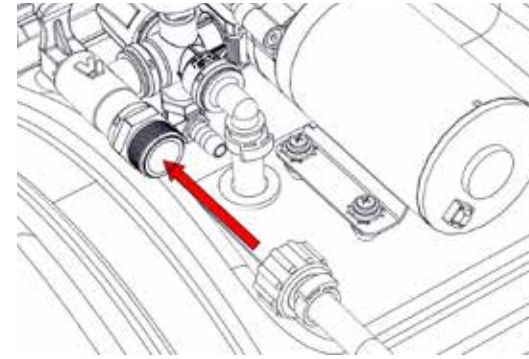
8.

PARTS

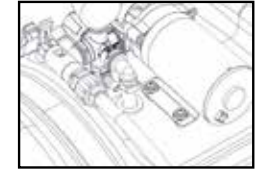


TOOLS

None



Attaches Boom Assembly to Shut-Off Valve



Locate Boom Hose and make sure there is a Washer in the end of Boom Cap.

Thread the Boom Hose to the Shut-Off Valve.

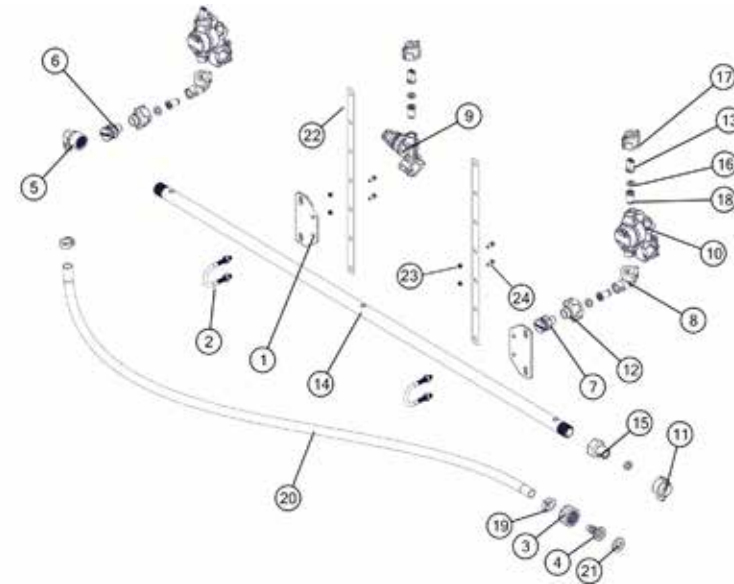
T.

SSBK-PNB BOOM TROUBLESHOOTING

PROBLEM	CAUSE	SOLUTION
Boom Doesn't Spray	Bad Electrical Connection	Check Battery Connections
	Boom Shut-Off Valve	Flip On Shut-Off Valve
Irregular Spray Pattern	Clogged Strainer	Unclog Strainer
	Pinched Or Clogged Hose	Unpinch or Unclog Hose
	Clogged Nozzles	Unclog Nozzles
	Damaged Spray Nozzles	Replace Nozzles
	No Nozzles In Boom	Install Nozzles Into Boom
	Incorrect Nozzle Size	Replace with Correct Nozzles
	Nozzle Facing Wrong Direction	Adjust Nozzle To Correct Designation
Boom Leaks	Loose Fasteners	Tighten Fasteners
	Loose Connection To Shut-Off Valve	Tighten Boom To Shut-Off Valve
	Damaged Boom Hose	Replace Hose or Boom Kit
Nozzles Drip After Use	No Ball Check Strainers	Install Ball Check Strainers

B.

SSBK-PNB BREAKDOWN



ID	Part Number	Description	Qty
1	31-100332	Boom Mount Bracket	2
2	33-103279	Mounting U-Bolts	2
3	3B34	Swivel Nut - 3/4 FGHT	1
4	3C12	Flat Seat Hose Barb - 3/8"	1
5	3EL12F	Poly Elbow - 1/2" FPT x 1/2" HB	1
6	BN2BP088LSX	No-Boom Nozzle - 088 Left	1
7	BN2BP088RSX	No-Boom Nozzle - 088 Right	1
8	G-8230022	Elbow - 90 Deg	2
9	G-8234007	Hinged Nozzle Holder - 1/2"	1
10	G-8244190	Nozzle Body - Dual	2
11	G-T00100036	Flush Port Cap	1
12	G-8253047	Boomless Nozzle Cap	2
13	G-8259494	Fan Nozzle	3

ID	Part Number	Description	Qty
14	G-8292017	Stainless Wet Boom	1
15	G-8294021	Boom Flush Fitting	1
16	G-G00002020	Gasket	8
17	G-T00100001	Fan Nozzle Cap	3
18	NS-50	Nozzle Strainer	5
19	SHC-H	Snapper Hose Clamp - 3/4"	2
20	33-103622-5	Rubber Hose - 1/2" ID x 5', 13/16" OD	1
21	W406V	Washer - 1" OD x 3/4" ID	1
22	31-100160*	Boom Upright Brackets	2
23	33-100113	Flange Nuts	6
24	33-100116	Bolts - 1"	6

* Not included with some Complete Broadcast Sprayers