

BEFORE ASSEMBLING YOUR ATV MOUNT  
FOLLOW INSTRUCTIONS IN YOUR SPOT  
SPRAYER ASSEMBLY MANUAL

## INCLUDED COMPONENTS

HAVING TROUBLE? CALL SUPPORT AT: 320.340.6464

## TOOLS REQUIRED

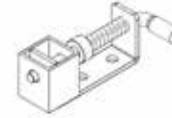


1/2" SOCKET WRENCH

**NOTE:**  
ONCE YOU HAVE FINISHED THE SPOT SPRAYER AND  
ATV MOUNT ASSEMBLY, MOVE ON TO THE BOOM ASSEMBLY  
CARD TO COMPLETE YOUR SPRAYER.



ATV Mounts (2)  
31-100288



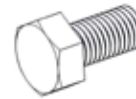
Spring Bracket Mounts (2)  
34-140093-P



Ratchet Straps (2)  
33-100164



Flange Nuts (4)  
33-100113



1/2" Bolts (4)  
33-100114



3/4" Bolts (4)  
33-200120



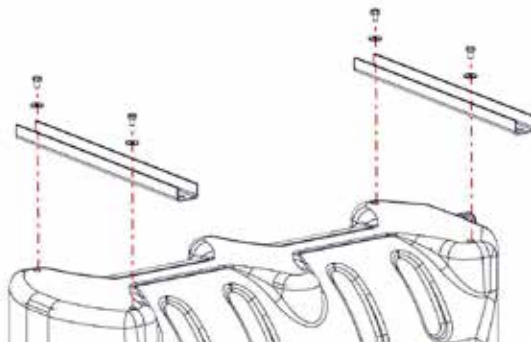
Washers (4)  
33-100115

1.

### PARTS

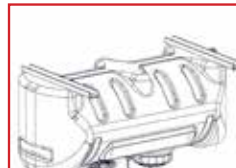


TOOLS



**NOTE:** Make sure to have the ends of the ATV Mounts that feature multiple holes on the same side as the Pump head.

Attaches ATV Mounts to Sprayer Tank



Flip your Sprayer Tank over to access the holes on the bottom.

Position ATV Mounts over Sprayer Tank holes.

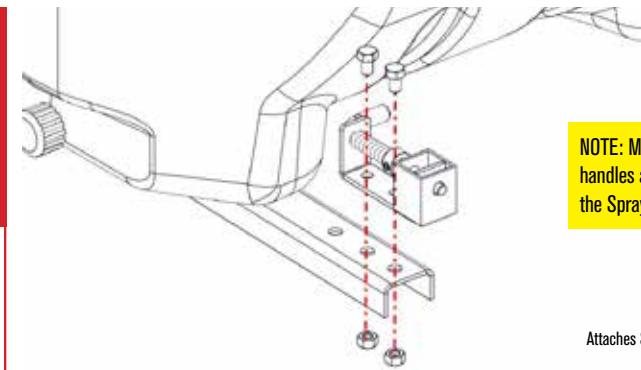
Attach ATV Mounts to Sprayer Tank with 1/2" Bolts and Washers using a Socket Wrench. Do not over tighten.

2.

### PARTS



TOOLS



**NOTE:** Make sure spring handles are facing towards the Sprayer Tank.

Attaches Spring Bracket Mounts to ATV Mounts



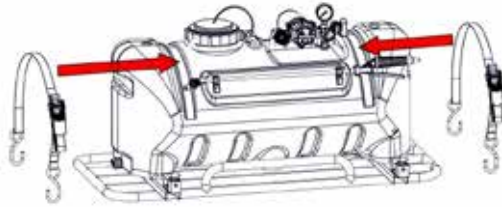
Set the Sprayer Tank upright.

Position Spring Bracket Mounts on the last two holes of the ATV Mounts.

Attach Spring Brackets with 3/4" Bolts and Flange Nuts and tighten with Socket Wrench.

<b>3.</b>	<b>PARTS</b>	
-----------	--------------	---

<b>TOOLS</b>	None
--------------	------



**NOTE:** If not done already, assemble your Boom Kit after completing this step.

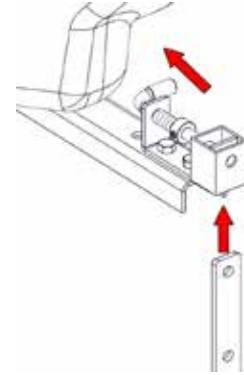


Position Sprayer Tank onto the back of an ATV, ensure that Spring Bracket Mounts hang over the back end.

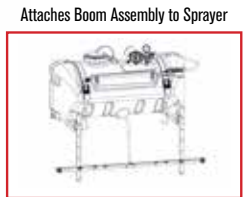
Use Ratchet Straps within the vertical grooves on the Sprayer Tank to fasten Sprayer Tank securely to the ATV rack.

<b>4.</b>	<b>PARTS</b>	
-----------	--------------	---

<b>TOOLS</b>	None
--------------	------



**NOTE:** Depending on Boom Assembly installation, ATV Mounts can help adjust height of Boom Assembly depending on application.



Pull back spring handle of Spring Bracket Mount.

Insert a Boom Upright Bracket into the Spring Bracket Mount and line up holes of each part.

Release spring handle to lock Boom Upright Bracket into place.