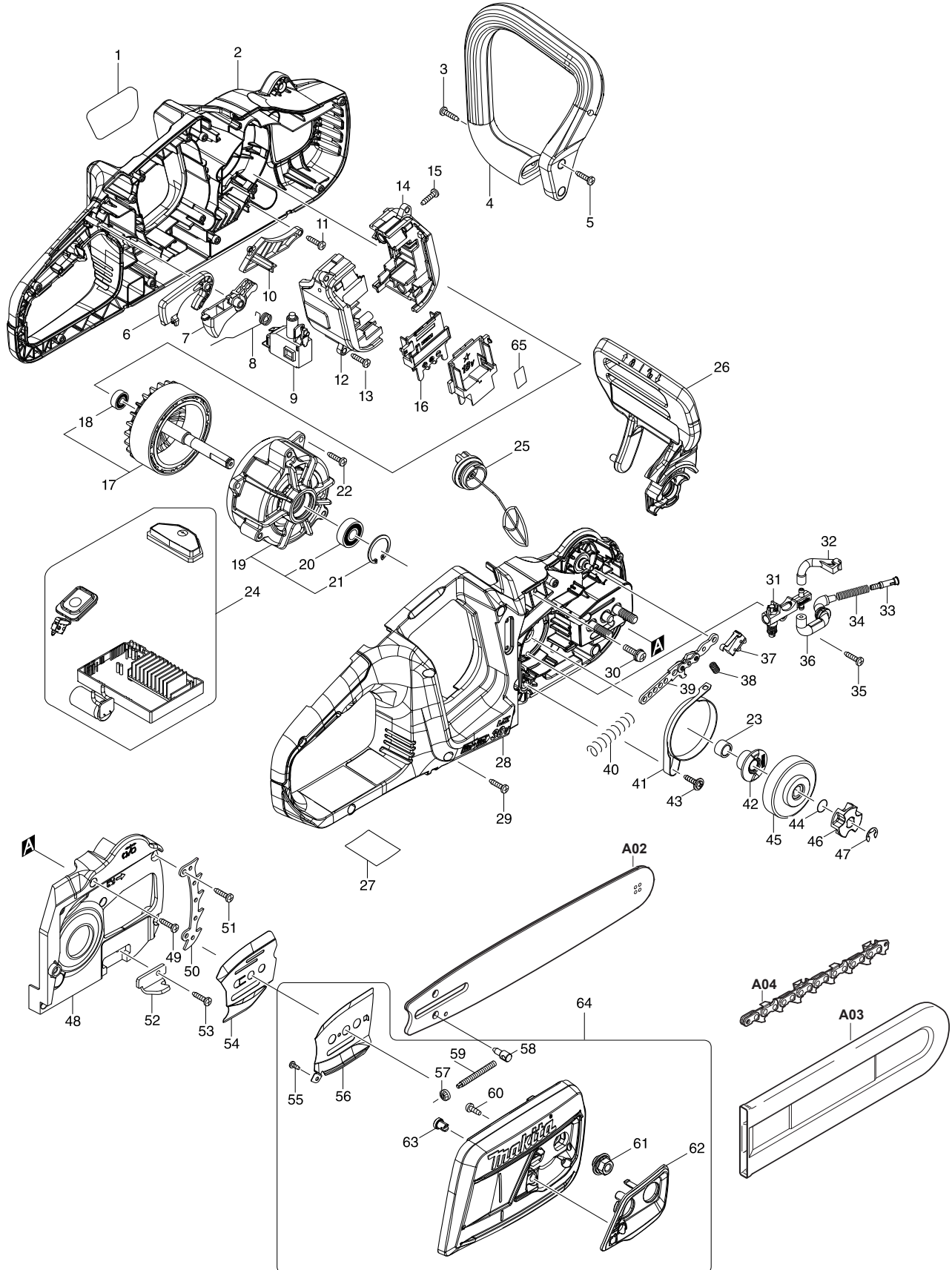




XCU07



Products with multiple versions are listed in subsiding order with the newest version on top not indented.

Section	Fig. No.	Part No.	Description	XCU07	Tech Bulletin	Notes
1	1	818F46-6	XCU07 MODEL NO. LABEL	1		
1	2	183K82-4	HOUSING SET	1		INC. 28
1	3	266326-2	TAPPING SCREW 4X18	2		
1	4	457007-1	FRONT HANDLE	1		
1	5	266326-2	TAPPING SCREW 4X18	2		
1	6	457013-6	CATCH LEVER	1		
1	7	457006-3	SWITCH LEVER	1		
1	8	232318-3	TORSION SPRING 10	1		
1	9	650781-2	SWITCH C3JW-6B-P	1		
1	10	457010-2	HOUSING L COVER	1		
1	11	266326-2	TAPPING SCREW 4X18	1		
1	12	183F15-9	TERMINAL BOX SET	1		INC. 14
1	13	266326-2	TAPPING SCREW 4X18	4		
1	14	183F15-9	TERMINAL BOX SET	1		INC. 12
1	15	266326-2	TAPPING SCREW 4X18	2		
1	16	643874-2	TERMINAL	2		
1	17	519411-3	ROTOR ASS'Y	1		INC. 18
1	18	211012-0	BALL BEARING 606ZZ	1		
1	19	592H45-5	STATOR ASS'Y	1		INC. 20,21
1	20	210059-1	BALL BEARING 6000DDW	1		
1	21	962105-3	RETAINING RING R-26	1		
1	22	266326-2	TAPPING SCREW 4X18	3		
1	23	257402-3	SLEEVE 10	1		
1	24	140G35-2	CONTROLLER COMPLETE	1		
1	25	168508-1	TANK CAP COMPLETE	1		
1	26	140F49-5	FRONT HAND GUARD COMPLETE	1		
1	27	855A11-4	XCU07 NAME PLATE	1		
1	28	183K82-4	HOUSING SET	1		
1	29	266326-2	TAPPING SCREW 4X18	8		
1	30	911233-1	PAN HEAD SCREW M5X20	3		
1	31	142156-4	OIL PUMP COMPLETE	1		
1	32	424904-6	CONNECTOR B	1		
1	33	452666-6	NIPPLE	1		
1	34	234207-8	COMPRESSION SPRING 6	1		
1	35	266326-2	TAPPING SCREW 4X18	1		
1	36	424903-8	CONNECTOR A	1		

Products with multiple versions are listed in subsiding order with the newest version on top not indented.

Section	Fig. No.	Part No.	Description	XCU07	Tech Bulletin	Notes
1	37	632H47-0	SWITCH UNIT	1		
1	38	231298-0	COMPRESSION SPRING 6	1		
1	39	163448-8	LINKPLATE COMPLETE	1		
1	40	232319-1	COMPRESSION SPRING 9	1		
1	41	345454-7	BRAKE BAND	1		
1	42	221427-3	WORM GEAR	1		
1	43	266326-2	TAPPING SCREW FLANGE 4X18	1		
1	44	213060-5	O RING 10	1		
1	45	161526-8	BRAKE DRUM COMPLETE	1		
1	46	221464-7	SPROCKET 6	1		
1	47	961013-5	STOP RING E-7	1		
1	48	457004-7	HOUSING R COVER	1		
1	49	266326-2	TAPPING SCREW 4X18	4		
1	50	347078-5	SPIKE BUMPER	1		
1	51	266326-2	TAPPING SCREW 4X18	2		
1	52	347079-3	CHAIN CATCHER	1		
1	53	266326-2	TAPPING SCREW 4X18	1		
1	54	346694-0	GUIDE PLATE ES	1		
1	55	266166-8	TAPPING SCREW CT 3X8	2		
1	56	346699-0	GUIDE PLATE CS	1		
1	57	227496-2	STRAIGHT BEVEL GEAR 14	1		
1	58	326311-8	ADJUST PIN	1		
1	59	326313-4	ADJUST SCREW	1		
1	60	266427-6	TAPPING SCREW 4X12	2		
1	61	144689-5	FLANGE NUT COMPLETE	2		
1	62	454620-6	NUT COVER	1		
1	63	227620-7	DRIVE GEAR	1		
1	64	136071-2	SPROCKET COVER ASSY	1		INC. 55-63
1	65	855A17-2	XCU07 SERIAL NO. LABEL	1		
1	A01	782027-9	BOX WRENCH	1		
1	A02	165246-6	GUIDE BAR	1		
1	A03	419242-9	CHAIN COVER	1		
1	A04	196741-5	SAW CHAIN SET	1		
1		168407-7	10" CARVING GUIDE BAR	1		NOT PICTURED
1		194098-8	10" CARVING SAW CHAIN	1		NOT PICTURED