



# 40 V 16-Inch Cordless Lawn Mower

Model iON16LM

Form No. SJ-iON16LM-880E-M

A Division of Snow Joe®, LLC


## OPERATOR'S MANUAL

### IMPORTANT! Safety Instructions

#### All Operators Must Read These Instructions Before Use

Read all the instructions contained in this manual. Keep this manual in a safe place, so that the information is available at all times. If you give the equipment to another person, make sure to provide these operating instructions. Basic safety precautions should always be followed to reduce the risk of fire, electric shock and personal injury.

#### General Safety Rules

Notice the personal safety alert symbol  used in this manual to draw your attention to a **WARNING** given along with the particular operating instruction. This means that the operation requires special **ATTENTION, CAUTION** and **AWARENESS**.

1. **Keep the work area clean and well-lit** – Cluttered, dark areas invite accidents.
2. **Keep children, bystanders and pets away** – Always keep children and spectators a safe distance away from the mower during operation and as the machine cools. Children must always be supervised to ensure that they do not play with the equipment.
3. **Dress properly** – Always wear personal safety gear (i.e. safety glasses, rubber gloves, protective non-slip footwear and dust masks) and proper clothing when using the mower. Loose clothing, long hair or jewelry may get caught in the moving parts.
4. **Use the right appliance** – Do not use the lawn mower for any purposes other than those for which it is intended.
5. **Do not force the lawn mower** – It will perform better with less likelihood of personal or mechanical injury if it is used at the rate for which it is designed.
6. **CAUTION: Sharp blades!** – Remove the battery before carrying out any repair work. The blades will continue to rotate after the motor is switched off.
7. **Stay alert** – Always stay alert and watch what you are doing. Use common sense. Do not operate the lawn mower when you are tired or under the influence of alcohol or drugs. This lawn mower is not designed to be used by people (including children) with limited physical, sensory or mental capacities. It should also not be used

by those lacking the proper experience and/or knowledge unless they are supervised by a person who is responsible for their safety or they have received instructions from such a person on how to safely use the mower.

8. **Store idle lawn mower indoors** – When not in use, the lawn mower should be stored indoors in a dry, locked place out of the reach of children.
9. **Maintain the lawn mower with care** – Keep cutting edges sharp and clean to maximize your mower's performance and ensure operator safety. Keep handles dry, clean and free from oil and grease.

**WARNING!** Turn off the power switch and disconnect the battery before adjusting, inspecting, servicing or cleaning the lawn mower, when changing accessories or when any other dangerous conditions present themselves. All maintenance tasks should be performed after revolving parts inside the lawn mower stop completely. Such preventive safety measures reduce the risk of starting the power tool accidentally.

**WARNING!** If you notice that the lawn mower is not running properly or unusual vibrations occur from the engine when it is in use, immediately stop the machine and disconnect the battery. Check the cutters and clear them if necessary. If the machine continues to vibrate, contact an authorized Snow Joe®/Sun Joe® service center.

10. **Moving parts present risks** – Keep your face, hair, clothing, hands and feet away from all moving parts. All guards and safety attachments must be installed properly before using the unit. Shut off and disconnect the battery before touching any parts other than the handles and the switch.
11. **Cutting/dismemberment hazard of hand** – Do not touch the cutters until the battery has been disconnected from the mower and the cutters have reached a complete standstill.
12. **Avoid unintentional starting** – Make sure the safety switch and the switch bar lever are in the **OFF** position before inserting the battery into the unit. Do not carry the lawn mower with the safety switch and the switch bar lever engaged.
13. **Do not overreach** – Maintain proper footing and balance at all times. Place heels firmly on the ground and tightly grasp the handle bar. Watch for uneven surfaces and do not overreach. In case you fall or collide with the lawn mower, inspect the unit for any damages or cracks. When stepping backwards, be careful to avoid obstacles beneath your feet or behind you to avoid falling.

**⚠ WARNING!** If the lawn mower strikes any object, follow these steps:

- i) Stop the lawn mower. Remove the battery.
- ii) Inspect for damage.
- iii) Repair any damage before restarting and operating the lawn mower.

## **IMPORTANT!**

### **Safety Instructions for Walk-Behind Mowers**

#### **General Operation**

- Read, understand and follow all the safety regulations and instructions on the machine and in the manual before starting.
  - Only responsible adults who are thoroughly familiar with the operator controls and the operation of the machine should be allowed to use the mower.
  - Make sure that the mowing area is clear of children, pets and other bystanders before starting the machine. Stop the machine if anyone enters the area.
  - Do not tip the machine when starting. The machine should be on level ground and you should have a firm grasp on the handle when powering ON.
  - Disconnect the power supply (i.e. remove the battery):
    - i) whenever you leave the machine unattended;
    - ii) before releasing a blocked cutter;
    - iii) before inspecting, cleaning or performing other maintenance on the machine;
    - iv) if a foreign body has been struck;
    - v) whenever the machine starts to vibrate oddly.
  - Never mow in the direct vicinity of persons – especially children – or animals.
  - Do not operate the machine barefooted or while wearing sandals. Always wear substantial footwear.
  - Check the ground on which the equipment will be used and remove all objects that could be picked up and violently flung by the rotary mower blade.
  - Before using the mower, visually inspect it to ensure that the blade, mounting bolts and the entire cutting apparatus are in proper working order (i.e. not worn or damaged). To prevent any operating imbalance, replace worn or damaged blades and mounting bolts as a set only (if applicable).
- Always maintain good footing on inclines.
  - Only operate the mower at a walking pace.
  - Always mow across hills (i.e. never straight up or straight down).
  - Be particularly careful when you change direction on a slope.
  - Do not mow on overly steep inclines.
  - Take extra caution when turning the mower around and when pulling it towards you.
  - Switch the mower off, remove the battery and wait until the cutters have reached a complete standstill when tipping the mower over, transporting it over surfaces other than grass, and when moving the mower to and from the area you wish to mow.
  - Never use the lawn mower if the guards (e.g. side-discharge chute deflectors, grass-catching devices) are damaged or not properly fitted.
  - Use the ON/OFF switch carefully as described in the manufacturer's instructions. Make sure that your feet are far enough away from the mower blade when starting and using the mower!
  - The lawn mower should not be tilted when the motor is switched on unless it has to be raised for starting purposes. In this case, tilt it as little as absolutely necessary and only raise the side opposite to that of the user.
  - Do not switch on the mower if you are positioned in front of the discharge chute.
  - Never move your hands or feet toward or under any rotating parts. Keep clear of the discharge chute opening at all times.
  - Never lift or carry a lawn mower with the engine running.
  - Switch off the motor, remove the battery and wait for the rotating blades to stop completely: before you dislodge any blockages or clogs in the discharge chute or mower deck; before carrying out any checks, cleaning, maintenance or other work on the lawn mower; and immediately after striking a foreign object. Examine the mower for signs of damage and carry out any necessary repairs before restarting and continuing to work with the mower. If the lawn mower starts to vibrate oddly, immediately switch it off and inspect it.
  - Switch off the mower and remove the battery whenever you leave the mower.

#### **Handling**

- Only mow in broad daylight or under well-lit conditions.
- Avoid dangerous environments. Do not use the mower in the rain or on damp/wet grass.

#### **Maintenance and Storage**

- Make sure that all nuts, bolts and screws are tightened securely and that the machine is in safe working condition.
- Allow the mower to cool before you put it into an enclosed area.
- To avoid the risk of fire, keep the motor housing and ventilation slots clear of grass, leaves, oil and grease.
- Routinely check the grass basket for signs of wear and impaired functionality.

- For your own safety, have worn or damaged parts immediately replaced.
- Take care not to jam your fingers between moving blades and stationary parts of the equipment while you are adjusting the equipment.
- While you are carrying out maintenance work on the blades, remember that the blades can still be moved even if the power source has been switched off.

## Battery & Charger Safety Instructions

We pay a great deal of attention to the design of every battery pack to ensure that we supply you with batteries that are safe, durable and have a high energy density. The battery cells have a wide range of safety devices. Each individual cell is initially formatted and its electrical characteristic curves are recorded. These data are then used exclusively to be able to assemble the best possible battery packs.

Despite all the safety precautions, caution must always be exercised when handling batteries. The following points must be obeyed at all times to ensure safe use. Safe use can only be guaranteed if undamaged cells are used. Incorrect handling of the battery pack can cause cell damage.

**IMPORTANT!** Analyses confirm that incorrect use and poor care of high-performance batteries are the main factors responsible for personal and/or product damage.

**⚠️ WARNING!** Use only approved replacement batteries; other batteries may damage the lawn mower and cause it to malfunction, which can lead to serious personal injury.

**⚠️ CAUTION!** To reduce the risk of injury, charge the EcoSharp™ iBAT40 lithium-ion pack only in its designated lithium-ion charger, the iCHRG40. Other types of chargers present risk of fire, personal injury and damage. Do not wire a battery pack to a power supply plug or car cigarette lighter. Such misuse will permanently disable or damage the battery pack.

- **Avoid dangerous environments** – Do not charge the battery pack in rain, snow or in damp or wet locations. Do not use the battery pack or charger in the presence of explosive atmospheres (gaseous fumes, dust or flammable materials) because sparks may be generated when inserting or removing the battery pack, which could lead to a fire.
  - **Charge in a well-ventilated area** – Do not block the charger vents. Keep them clear to allow for proper ventilation. Do not allow smoking or open flames near a charging battery pack. Vented gases may explode.
- NOTE:** The safe temperature range for the battery is -4°F (-20°C) to 113°F (45°C). Do not charge the battery outside in freezing weather; charge it at room temperature.

- **Maintain charger cord** – When unplugging the charger, pull the plug, not the cord, from the receptacle to reduce the risk of damage to the electrical plug and cord. Never carry

the charger by its cord or yank it by the cord to disconnect it from the receptacle. Keep the cord away from heat, oil and sharp edges. Make sure the cord will not be stepped on, tripped over or subjected to damage or stress when the charger is in use. Do not use the charger with a damaged cord or plug. Replace a damaged charger immediately.

- **Do not use an extension cord unless it is absolutely necessary** – Using the wrong, damaged or improperly wired extension cord poses a risk of fire and electric shock. If an extension cord must be used, plug the charger into a properly wired 16 gauge or larger extension cord with blades that are the same number, size and shape as the blades on the charger. Make sure that the extension cord is in good electrical condition.
- **Charger iCHRG40 is rated for 120 volt AC only** – The charger must be plugged into an appropriate receptacle.
- **Use only recommended attachments** – Use of an attachment not recommended or sold by the battery charger or battery pack manufacturer may result in risk of fire, electric shock or personal injury.
- **Unplug charger when not in use** – Make sure to remove battery packs from unplugged chargers.

**⚠️ WARNING!** To reduce the risk of electric shock, always unplug the charger before performing any cleaning or maintenance. Do not allow water to flow into the AC/DC plug. Use a Ground Fault Circuit Interrupter (GFCI) to reduce shock hazards.

- **Do not burn or incinerate battery packs** – Battery packs may explode, causing personal injury or damage. Toxic fumes and materials are created when battery packs are burned.
- **Do not crush, drop or damage battery packs** – Do not use the battery pack or charger if they have sustained a sharp blow, been dropped, run over or have been damaged in any way (e.g. pierced with a nail, hit with a hammer, stepped on, etc.).
- **Do not disassemble** – Incorrect reassembly may pose a serious risk of electric shock, fire or exposure to toxic battery chemicals. If the battery or charger are damaged, contact your Snow Joe®/Sun Joe® dealer or Snow Joe®/Sun Joe® customer service center.
- **Battery chemicals cause serious burns** – Never let a damaged battery pack contact the skin, eyes or mouth. If a damaged battery pack leaks battery chemicals, use rubber or neoprene gloves to safely dispose of it. If skin is exposed to battery fluids, wash the affected area with soap and water and rinse with vinegar. If eyes are exposed to battery chemicals, immediately flush with water for 20 minutes and seek medical attention. Remove and dispose of contaminated clothing.
- **Do not short circuit** – A battery pack will short circuit if a metal object makes a connection between the positive and negative contacts on the battery pack. Do not place a battery pack near anything that may cause a short circuit, such as paper clips, coins, keys, screws, nails and other

metallic objects. A shortcircuited battery pack poses a risk of fire and severe personal injury.

- **Store your battery pack and charger in a cool, dry place** – Do not store the battery pack or charger where temperatures may exceed 104°F (40°C), such as in direct sunlight or inside a vehicle or metal building during the summer.

## Information about the battery

1. The battery pack supplied with your cordless lawn mower is not charged. The battery pack has to be charged before you use the tool for the first time.
2. For optimum battery performance avoid low discharge cycles. Charge the battery pack frequently.
3. Store the battery pack in a cool place, ideally at 59°F (15°C) and charged to at least 40%.
4. Lithium-ion batteries are subject to a natural aging process. The battery pack must be replaced at the latest when its capacity falls to just 80% of its capacity when new. Weakened cells in an aged battery pack are no longer capable of meeting the high power requirements needed for the proper operation of your lawn mower, and therefore pose a safety risk.
5. Do not throw battery packs into an open fire. There is a risk of explosion!
6. Do not ignite the battery pack or expose it to fire.
7. Do not exhaustively discharge batteries. Exhaustive discharge will damage the battery cells. The most common cause of exhaustive discharge is lengthy storage or non-use of partially discharged batteries. Stop working as soon as the performance of the battery falls noticeably or the electronic protection system triggers. Place the battery pack in storage only after it has been fully charged.
8. Protect batteries and the tool from overloads. Overloads will quickly result in overheating and cell damage inside the battery housing even if this overheating is not apparent externally.
9. Avoid damage and shocks. Immediately replace batteries that have been dropped from a height of more than one meter or those that have been exposed to violent shocks, even if the housing of the battery pack appears to be undamaged. The battery cells inside the battery may have suffered serious damage. In such instances, please read the waste disposal information for proper battery disposal.
10. If the battery pack suffers overloading and overheating, the integrated protective cutoff will switch off the equipment for safety reasons.  
**IMPORTANT!** Do not press the ON/OFF switch any more if the protective cut-off has been activated. This may damage the battery pack.
11. Use only original battery packs. The use of other batteries poses a fire risk and may result in injuries or an explosion.

## Information about the charger and the charging process

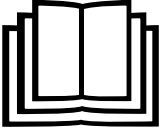






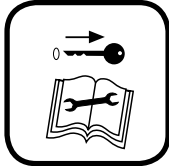


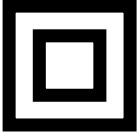
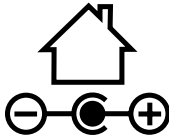
1. Please check the data marked on the rating plate of the battery charger. Be sure to connect the battery charger to a power supply with the voltage marked on the rating plate. Never connect it to a different mains voltage.
2. Protect the battery charger and its cord from damage. Keep the charger and its cord away from heat, oil and sharp edges. Have damaged cords repaired without delay by a qualified technician at an authorized Snow Joe®/ Sun Joe® service center.
3. Electrical plugs must match the outlet. Never modify the plug in any way. Do not use any adapter plugs with grounded appliances. Unmodified plugs and matching outlets will reduce the risk of electric shock.
4. Keep the battery charger, battery(ies) and the cordless tool out of the reach of children.
5. Do not use the supplied battery charger to charge other cordless tools.
6. During periods of heavy use, the battery pack will become warm. Allow the battery pack to cool to room temperature before inserting it into the charger to recharge.
7. Do not over-charge batteries. Do not exceed the maximum charging times. These charging times only apply to discharged batteries. Frequent insertion of a charged or partially charged battery pack will result in over-charging and cell damage. Do not leave batteries in the charger for days on end.
8. Never use or charge batteries if you suspect that it has been more than 12 months since the last time they were charged. There is a high probability that the battery pack has already suffered dangerous damage (exhaustive discharge).
9. Charging batteries at a temperature below 50°F (10°C) will cause chemical damage to the cells and may cause a fire.
10. Do not use batteries that have been exposed to heat during the charging process, as the battery cells may have suffered dangerous damage.
11. Do not use batteries that have suffered curvature or deformation during the charging process or those that exhibit other atypical symptoms (gassing, hissing, cracking, etc.)
12. Never fully discharge the battery pack (maximum recommended depth of discharge is 80%) A complete discharge of the battery pack will lead to premature aging of the battery cells.

## Protection from environmental influences

1. Wear suitable work clothes. Wear safety goggles.
2. Protect your cordless tool and the battery charger from moisture and rain. Moisture and rain can cause dangerous cell damage.
3. Do not use the cordless tool or the battery charger near vapors and flammable liquids.
4. Use the battery charger and cordless tools only in dry conditions and at an ambient temperature of 50-104°F (10-40°C).
5. Do not keep the battery charger in places where the temperature is liable to reach over 104°F (40°C). In particular, do not leave the battery charger in a car that is parked in the sunshine.
6. Protect batteries from overheating. Overloads, overcharging and exposure to direct sunlight will result in overheating and cell damage. Never charge or work with batteries that have been overheated – replace them immediately, if possible.
7. Store the charger and your cordless tool only in dry locations with an ambient temperature of 50-104°F (10-40°C). Store your lithium-ion battery pack in a cool, dry place at a temperature of 50-68°F (10-20°C). Protect the battery pack, charger and cordless tool from humidity and direct sunlight. Only place fully charged batteries in storage (charged to at least 40%).
8. Prevent the lithium-ion battery pack from freezing. Battery packs that were stored below 32°F (0°C) for more than 60 minutes must be discarded.
9. When handling batteries, be wary of electrostatic charge. Electrostatic discharges can damage the electronic protection system and the battery cells. Avoid electrostatic charging and never touch the battery poles.

# Safety Symbols

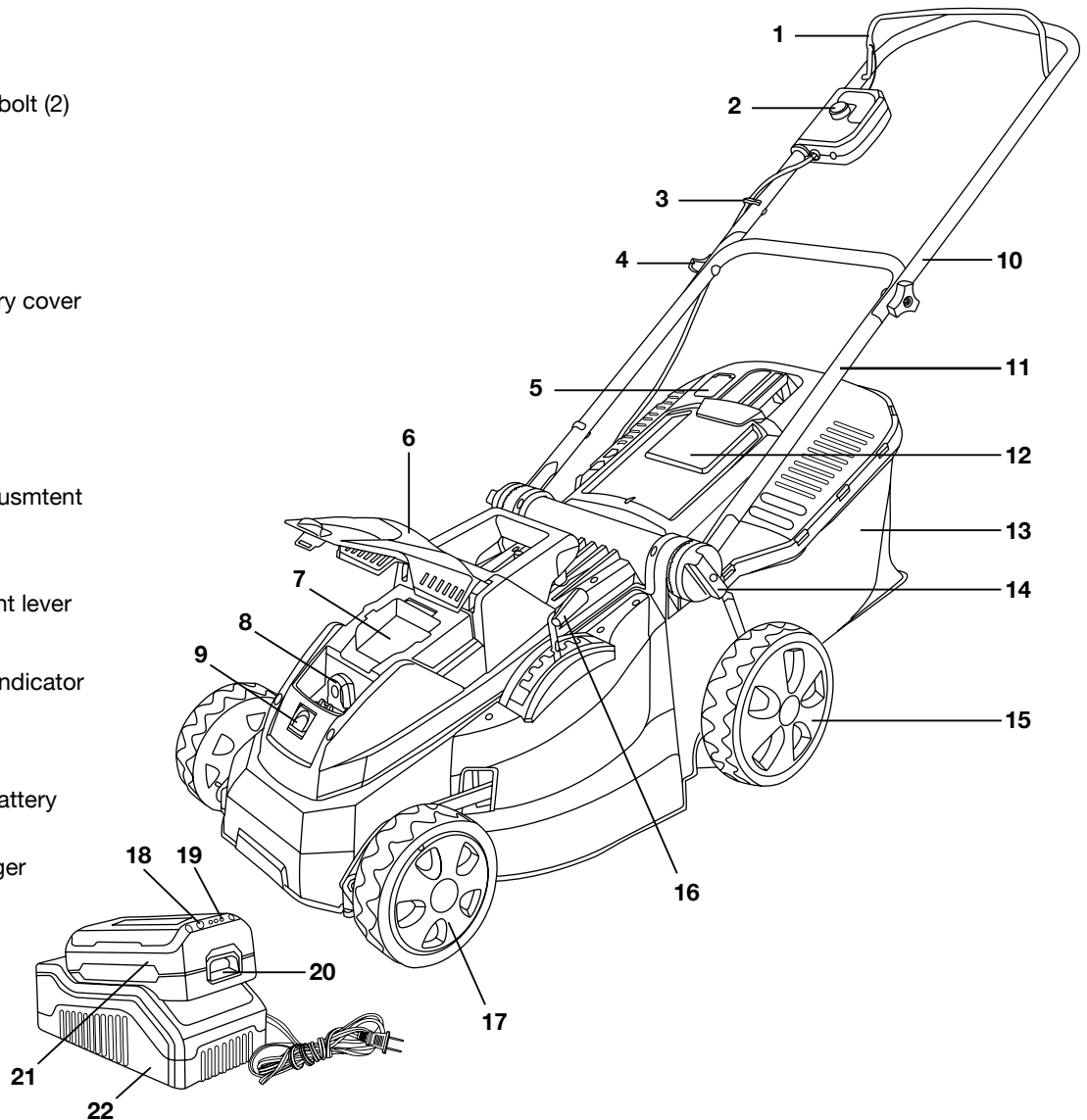
The following table depicts and describes safety symbols that may appear on this product. Read, understand and follow all instructions on the machine before attempting to assemble and operate.

Symbols	Descriptions	Symbols	Descriptions
	<b>WARNING!</b> To reduce the risk of injury, user must read instruction manual.		Keep bystanders and children a safe distance away.
	Safety Alert. Caution.		Wear eye and hearing protection. For protection against injury, wear ear defenders and safety goggles.
	Severing of toes or fingers by rotary mower blade.		Cutting/dismemberment hazard of hand. Keep hands away from the rotating blade.
	Slip on slope hazard – Use extra caution when mowing on slopes to prevent slip and fall accidents.		<b>WARNING!</b> Always turn the machine OFF and remove the safety key before conducting inspection, cleaning and maintenance.
	<b>CAUTION!</b> Objects picked up and thrown by the rotating blade can cause severe injury.		The rotating part will continuously run for several seconds after you turn off the machine.
	Double Insulation.		Indoor use only. Only use battery charger indoors.

# Know Your Cordless Lawn Mower

Read the owner's manual and safety rules carefully before operating the lawn mower. Compare the illustration below to the actual unit in order to familiarize yourself with the location of the various controls and adjustments. Save this manual for future reference.

1. Switch bar lever
2. Safety switch button
3. Cable clip (2)
4. Upper handle knob and bolt (2)
5. Grass indicator window
6. Battery cover
7. Battery compartment
8. Safety key
9. Locking button for battery cover
10. Upper handle
11. Lower handle
12. Ejector flap
13. Grass bag
14. Multi-position height adjustment quick lock wheel
15. Rear wheel (2)
16. Cutting height adjustment lever
17. Front wheel (2)
18. Push button for battery indicator
19. Battery indicator
20. Push lock button
21. EcoSharp™ lithium-ion battery (iBAT40)
22. EcoSharp™ battery charger (iCHRG40)



## Technical Data

Battery Voltage	40 V D.C.	Cutting Height	1.18 in. to 3.15 in. (30 mm to 80 mm)
Battery Capacity	4.0 Ah (160 Wh)	Grass bag capacity	9.25 gal (35 l)
Charging Time	2.5 – 3 hours (for full charge)	Wheel size	6 in. (15.2 cm) front 8 in. (20.3 cm) rear
No Load Speed	3,500 rpm	Weight (mower alone)	34.6 lbs (15.7 kg)
Rotor	15 in. (38 cm) steel blade	Weight (mower with battery installed)	37.3 lbs (16.9 kg)
Deck Size	16 in. (41 cm)		

# Unpacking

## Carton Contents

- Cordless lawn mower
- 40 V EcoSharp™ battery
- EcoSharp™ battery charger
- Grass bag
- Safety key
- Upper handle knob and bolt (2)
- Cable clip (2)
- Manual

1. Carefully remove the lawn mower and check to see that all of the above items are supplied.
2. Inspect the product carefully to make sure no breakage or damage occurred during shipping. If you find damaged or missing parts, DO NOT return the unit to the store. Please call the Snow Joe®/Sun Joe® customer service department at 1-866-766-9563.

**NOTE:** Do not discard the shipping carton and packaging material until you are ready to use your new cordless lawn mower. The packaging is made of recyclable materials. Properly dispose of these materials in accordance with local regulations.

**IMPORTANT!** The equipment and packaging material are not toys. Do not let children play with plastic bags, foils or small parts. These items can be swallowed and pose a suffocation risk!

## Intended Use

Carefully follow the instructions below to assemble your iON cordless lawn mower.

The equipment may only be used for the tasks it is designed to handle. Any other use is deemed to be a case of misuse. The user/operator, not the manufacturer, will be liable for any damage or injuries of any kind resulting from such misuse of the mower.

The lawn mower is intended for private residential use (i.e. for use in home and gardening environments). Private use of the lawn mower refers to an annual operating time generally not exceeding 50 hours, during which the machine is primarily used to maintain small-scale, residential lawns and home/hobby gardens. Public facilities, sporting halls and agricultural/forestry applications are excluded. Please note that this equipment has not been designed for commercial, trade or industrial applications. The warranty will be voided if the machine is used in commercial, trade or industrial businesses or for equivalent purposes.

Keep these instructions and refer to them prior to each mowing session in order to ensure that the lawn mower is properly used and maintained. The instructions contain valuable information on operating, maintenance and servicing.

**IMPORTANT!** Due to the high risk of bodily injury to the user, the lawn mower may not be used to trim bushes, hedges or shrubs, to cut scaling vegetation, planted roofs, or balcony-grown grass, to clean (suck up) dirt and debris off walkways, or to chop up tree or hedge clippings. Moreover, the lawn mower may not be used as a power cultivator to level out high areas such as molehills.

For safety reasons, the lawn mower may not be used as a drive unit for other work tools or toolkits of any kind.

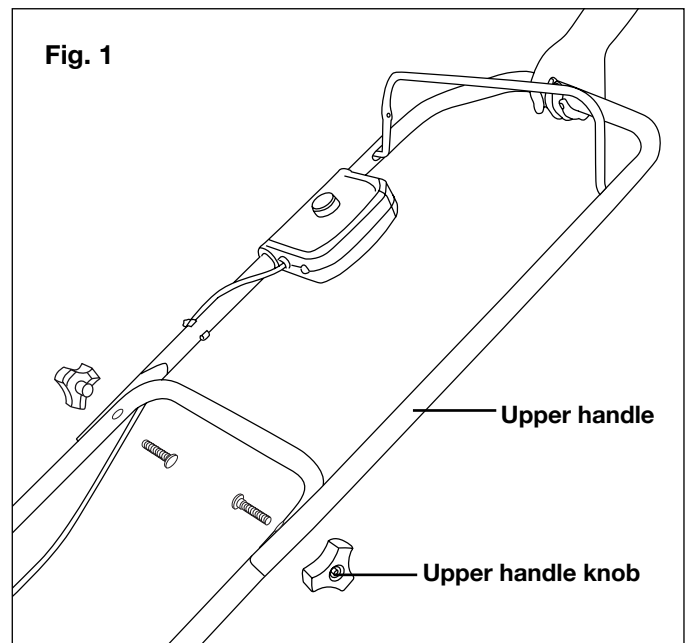
## Reduce noise generation and keep vibration to a minimum!

- Use only equipment that is in perfect condition.
- Maintain and clean the equipment regularly.
- Adjust your work rate to the equipment's performance.
- Do not overload the equipment.
- Have the equipment checked if necessary.
- Switch off the equipment when not in use.
- Wear gloves.

## Assembly

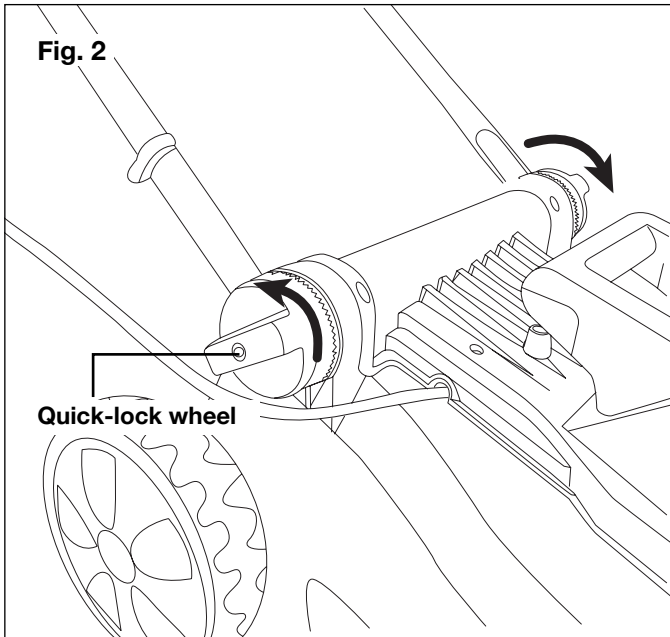
### Fitting the Upper and Lower Handles

1. The handle is fully pre-assembled and must only be unfolded and adjusted to the required height. To do so, loosen the upper handle knobs and unfold the upper handle. Then secure the upper handle again with the handle knobs on each side (Fig. 1).





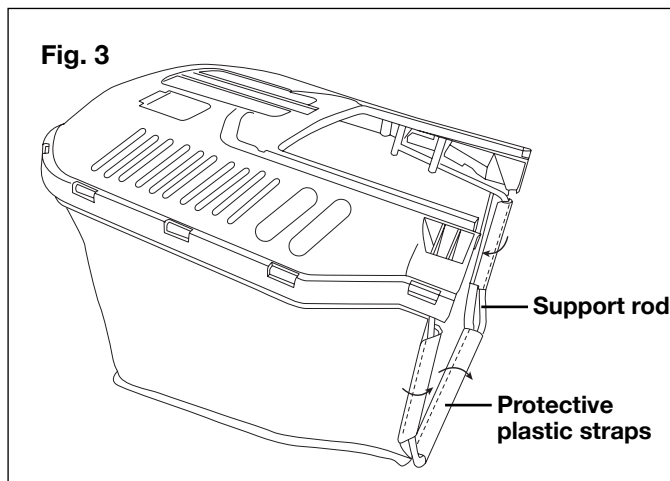
- Next, release the quick-lock wheel for the lower handle by turning it counterclockwise. This will allow you to move the handle to the required position. Secure the handle by turning the wheel in the opposite direction (Fig. 2).



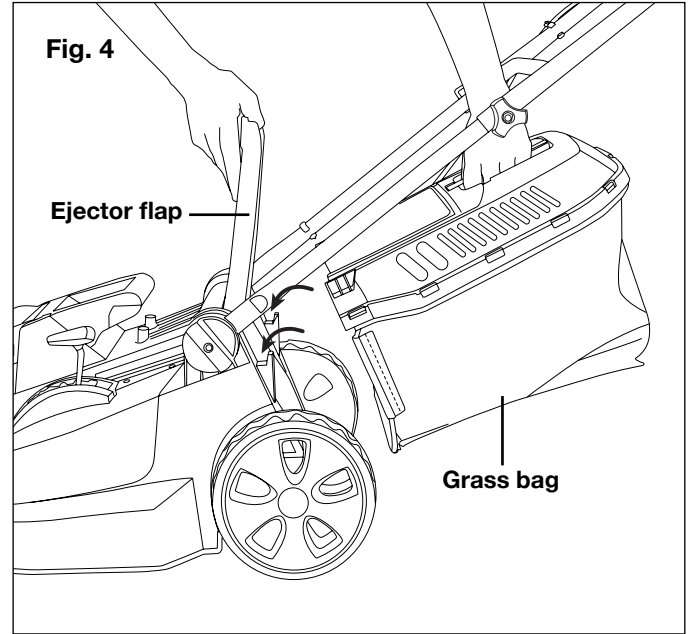
### Fitting the Grass Bag

**IMPORTANT!** Before fitting the grass bag, ensure that the safety key has been pulled, the motor is switched off and the blade has come to a complete standstill.

- Clip the protective plastic straps onto the support rod (Fig. 3).



- Lift the ejector flap with one hand.
- With the other hand, hold the grass bag by the handle and hook it in from above (Fig. 4).



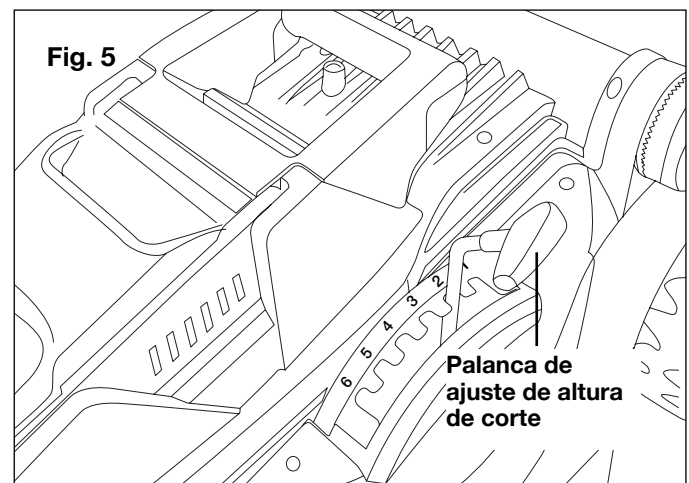
### Setting the Cutting Height

**IMPORTANT!** Before adjusting the cutting height, make sure the motor is switched off and the safety key has been pulled.

- To set the cutting height on your lawnmower, pull out the cutting height adjustment lever, move the lever to the left or right and push it back into one of the six cutting positions indicated below. Make sure that the lever engages properly (Fig. 5).

#### 6-Position Height Adjustment:

- |                     |                     |
|---------------------|---------------------|
| 1. 1.18 in. (30 mm) | 4. 2.17 in. (55 mm) |
| 2. 1.38 in. (35 mm) | 5. 2.60 in. (66 mm) |
| 3. 1.77 in. (45 mm) | 6. 3.15 in. (80 mm) |



Before you begin to mow, check to ensure that the blade is not blunt and that none of the fasteners are damaged. To prevent any imbalance, replace blunt and/or damaged blades. To carry out this check, first switch off the motor and pull out the safety key.





# Battery Pack Operation

The equipment is fitted with a lithium-ion battery. The battery pack is completely closed and maintenance free.

## Battery Charge Level Indicator

The battery pack is equipped with a push button for checking the charge level. Simply press the push button to read off the battery charge level from the LEDs of the battery indicator:

- All 3 level monitoring LEDs are lit: Battery charge level is high.
- 2 level monitoring LEDs are lit: Battery charge level is decreasing. Stop work as soon as possible.
- 1 level monitoring LED is lit: Battery is flat. Stop work IMMEDIATELY and charge the battery. Otherwise the battery's service life will be greatly shortened.

Lights	Light Indicators
	Charge level button
	The battery is at 30% capacity and requires charging
	The battery is at 60% capacity and requires charging soon
	The battery is at full capacity

**NOTE:** If the charge level button does not appear to be working, place the battery pack on the charger and charge as needed.

Immediately after using the battery pack, the charge level button may display a lower charge than it will if checked a few minutes later. The battery cells "recover" some of their charge after resting.

## Charger Operation

**⚠ WARNING!** Charge only EcoSharp™ iBAT40 lithium-ion battery packs in compatible EcoSharp™ iCHRG40 lithium-ion battery chargers. Other types of batteries may cause personal injury and damage.

To reduce the risk of electric shock, do not allow water to flow into the charger's AC/DC plug.

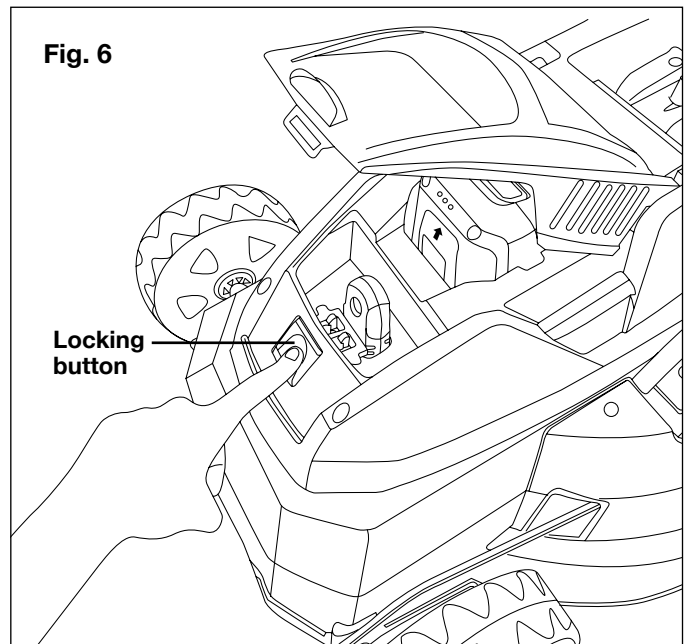
## When to Charge the EcoSharp™ iBAT40 Lithium-Ion Battery

**NOTE:** The EcoSharp™ iBAT40 lithium-ion battery packs do not develop a "memory" when charged after only a partial discharge. Therefore, it is not necessary to run down the battery pack before placing it into the charger.

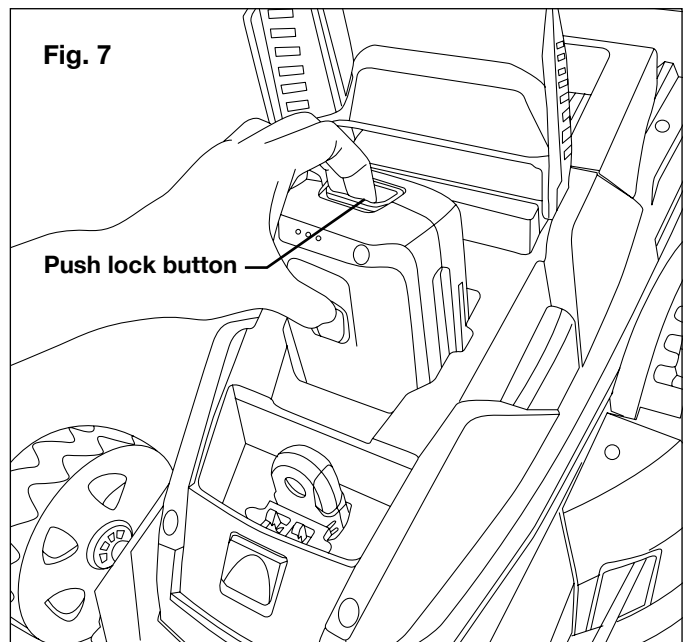
- Use the battery charge indicator lights to determine when to charge your EcoSharp™ iBAT40 lithium-ion battery pack.
- You can "top-off" your battery pack's charge before starting a big job or after a long day of use.

## Installing and Charging the Battery

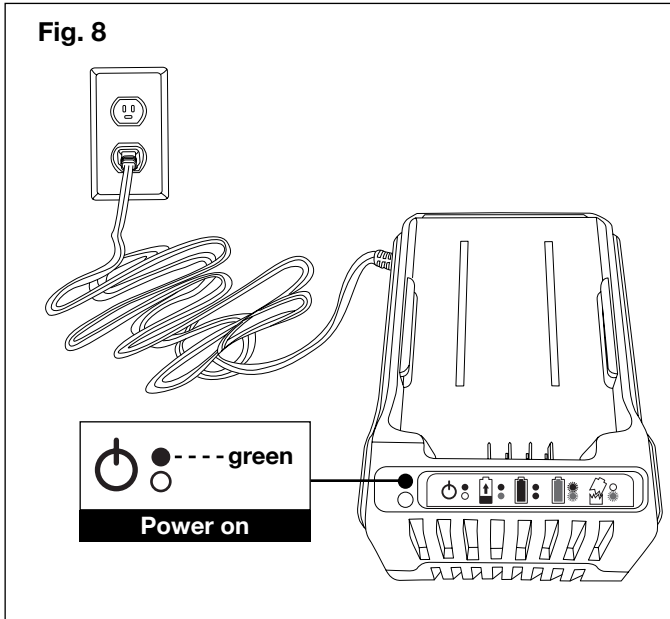
1. Open the battery cover on the lawn mower by depressing the locking button found on the outside of the battery compartment (Fig. 6).



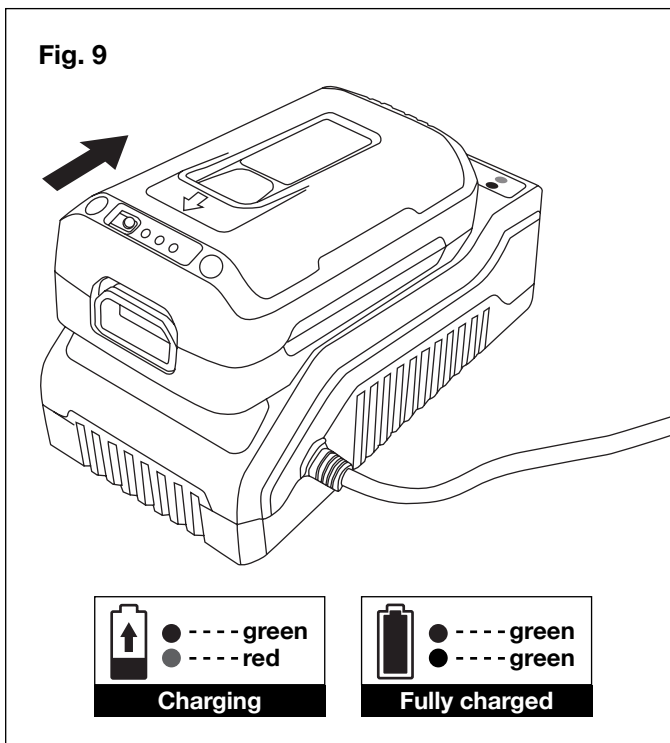
2. Pull the push lock button on the battery to pull the battery pack up and out of the equipment (Fig. 7).



3. Check that the mains voltage is the same as that marked on the rating plate of the battery charger. Then, insert the charger's plug into the electrical wall outlet. When you plug in the charger, the top green light will illuminate and stay green (Fig. 8).



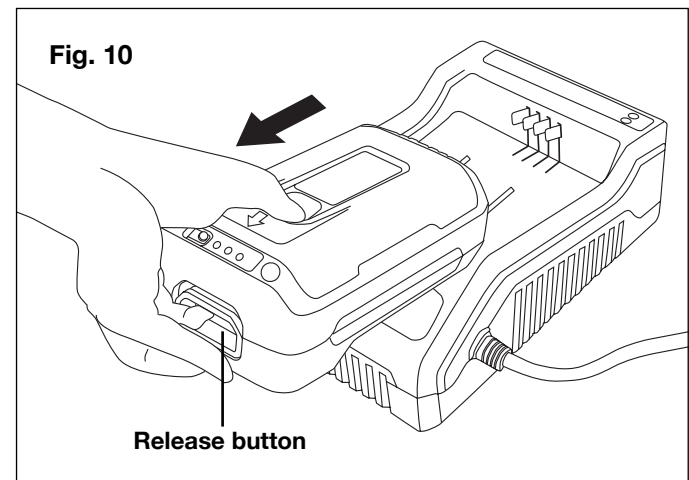
4. Place the battery pack into the charger by sliding the pack as shown to lock it into position. When you insert the battery into the charger, the bottom red light will illuminate to indicate that the battery is charging (Fig. 9).
5. When the bottom light turns green, the battery is fully charged (Fig. 9).



**NOTE:** An alternately flashing red and green light indicates a temperature abnormality (i.e. that the battery pack is either too hot or too cold). If there is only a red blinking light, this indicates that something is wrong with the battery. Contact Snow Joe®/Sun Joe® customer service at 1-866-766-9563.



6. A fully discharged pack with an internal temperature in the normal range will fully charge in 2.5 to 3 hours (between 32°F/0°C and 113°F/45°C). Heavily cycled battery packs may take longer to charge completely.
7. The battery charge indicator lights on the battery pack will display as the pack is charging to indicate the battery's capacity.
8. After charging is complete, the continuous green light will turn on and the charge level indicator on the battery will turn off.
9. If the charging light indicator alternately blinks red and green or the light indicator does not come on at all, check that the battery pack is fully seated into the bay. Remove the pack and reinsert. If the problem persists, contact the Snow Joe®/Sun Joe® customer service center at 1-866-766-9563 for assistance.
10. When charging is complete, remove the battery from the charger by pulling the push lock button and sliding the battery backward to unlock it from the charger (Fig. 10).



11. Timely recharging of the battery will help prolong the battery's life. You must recharge the battery pack when you notice a drop in the equipment's power.

**IMPORTANT!** Never allow the battery pack to become fully discharged as this will cause irreversible damage to the battery.

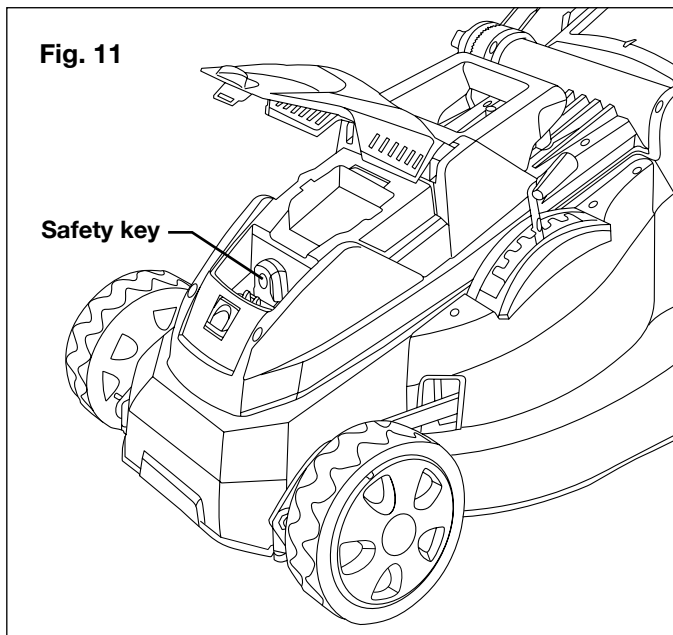
## Charging a Hot or Cold Battery Pack

A red and green flashing indicator light on the charger indicates that the battery pack temperature is outside the charging range. Once the pack is within the acceptable range, normal charging will take place and the red light will be continuous. Hot or cold battery packs may take longer to charge.

Lithium-Ion Charging Status		
Battery Pack Temperature	Red Charger Indicator Light	Charging Status
Too hot	Flashing	Not charging
Normal range	Continuous	Normal charging
Too cold	Flashing	Not charging

## Operation

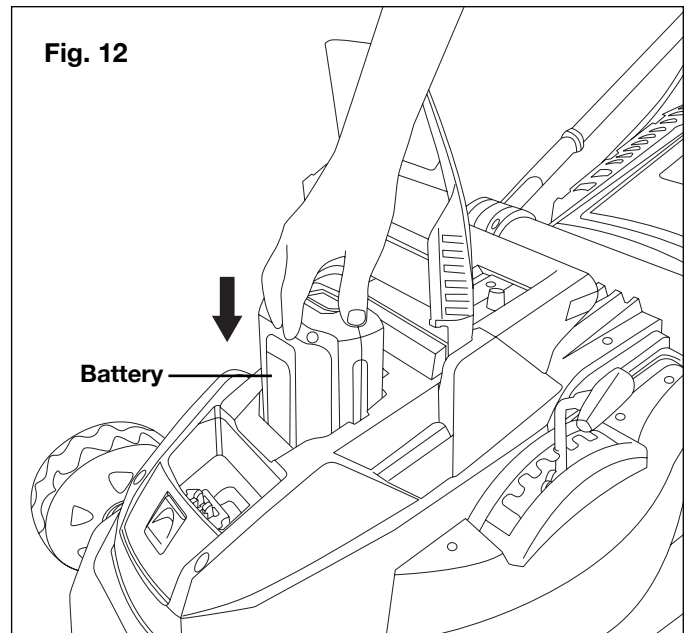
**IMPORTANT!** The lawn mower is equipped with a safety circuit to prevent unauthorized use. Directly before starting up the lawn mower insert the safety key into the slot found inside the battery housing (Fig. 11) and remove the safety key again whenever you interrupt or terminate your work.



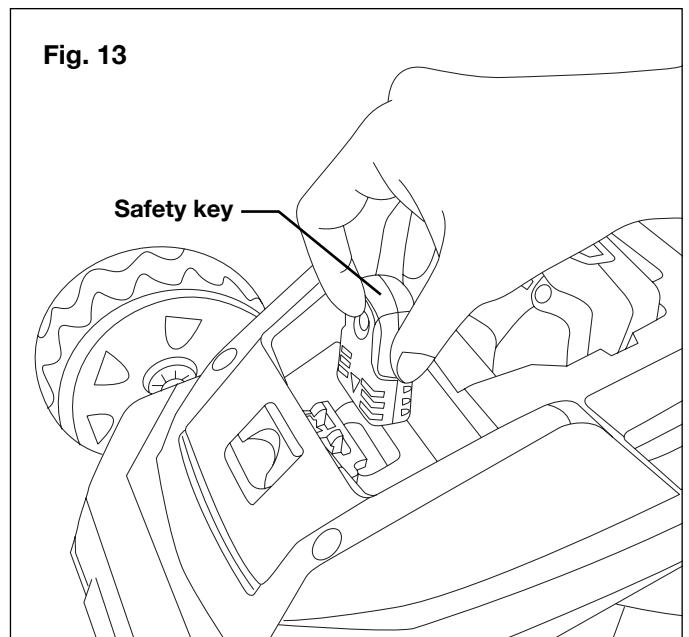
To prevent the equipment switching on accidentally, the lawn mower is equipped with a safety switch button, which must be pressed before the ON/OFF switch bar lever can be activated.

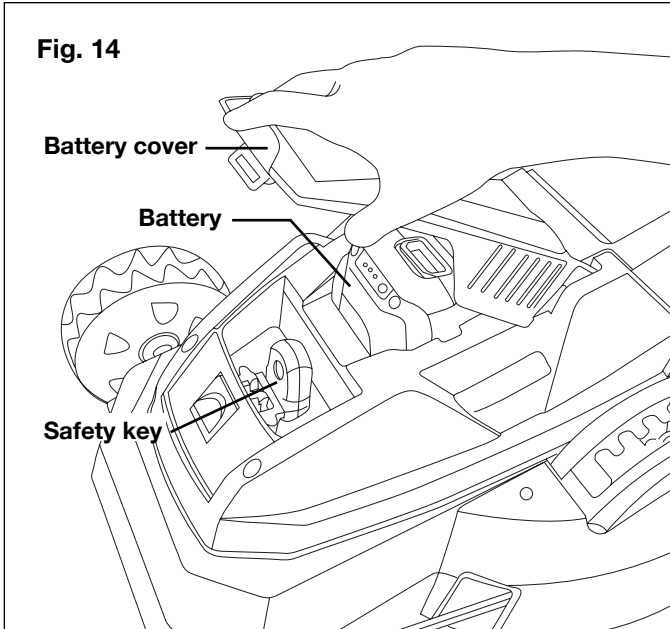
## Powering On and Off

1. Open the battery compartment cover and slide the battery down to lock it into position (Fig. 12).

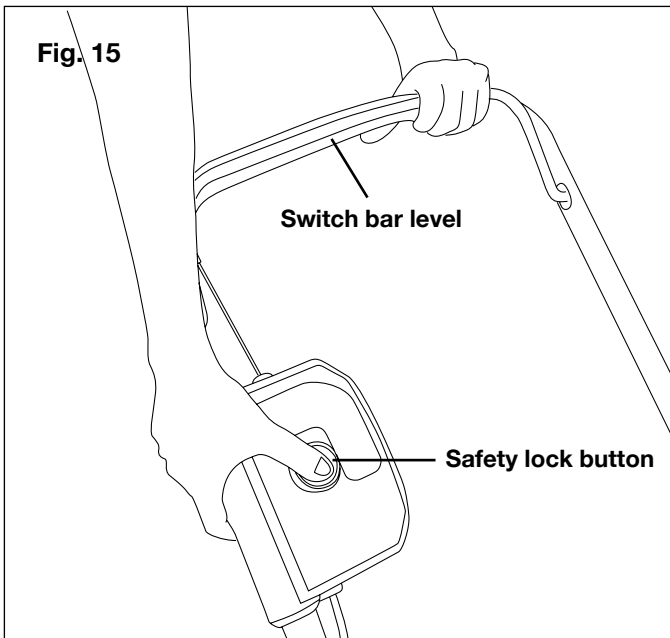


2. Insert the safety key into the slot and close the battery compartment cover (Figs. 13 & 14).



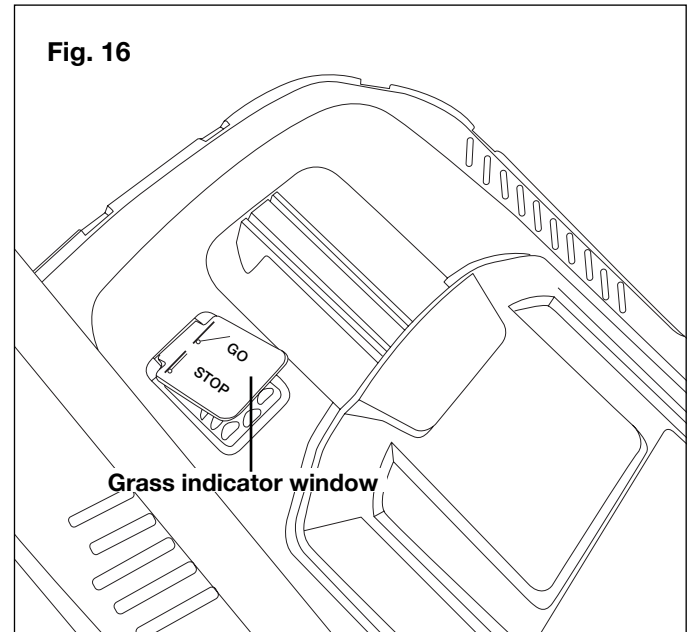


3. To power on, press and hold the safety lock button while pulling the switch bar lever toward you (Fig. 15). Once the machine powers on, release the safety lock button and proceed with operation. The lawn mower can only be started by pressing the safety switch button first, followed by squeezing the ON/OFF switch bar lever; reverse operation will not start the machine.
4. To power off, release the ON/OFF switch bar lever (Fig. 15).



## Grass Bag Filling Level Indicator

1. The grass bag is equipped with a filling level indicator window that is opened by the airflow that the lawn mower generates during operation (Fig. 16).
2. If the flap closes during mowing, this indicates that the grass bag is full and must be emptied (Fig. 16).



**NOTE:** To ensure that the filling level indicator functions properly, keep the holes under the flap clean and permeable.

## Mowing Tips

**⚠ WARNING!** Inspect the area prior to mowing and remove all the stones, sticks, wires and other foreign objects that could be picked up and thrown by the rotating blade. Failure to comply not only will damage the mower blade, but can also lead to serious personal injury.

- Be sure to check the mowing blade periodically for signs of wear and sharpen it at least once per year, as described in the maintenance section.

**NOTE:** A sharp blade will greatly enhance the performance of the mower, especially when cutting tall blades of grass.

- When cutting thick grass, reduce your walking speed in order to allow for a more effective cut and a proper discharge of the clippings. For a healthy lawn, always cut off one-third or less from the total length of the grass. The average lawn should be approximately 1.5 to 2 in. (3.8 to 5 cm) long during cool months, and more than 2 in. (5 cm) long during hot months. If there is growth, the lawn should be cut in the fall.
- The lawn will look better if it is always cut to the same height and in alternate directions.

- When crossing any graveled surfaces, release the switch bar lever to turn off the mower. The stones can be picked up and thrown by the rotating blade.
- Set the mower to the highest cutting height when mowing on uneven ground or in tall weeds.

**⚠ WARNING!** If you strike a foreign object, stop the motor and remove the safety key. Thoroughly inspect the mower and repair any damage before resuming work.

- **IMPORTANT!** Never open the ejector flap when the grass bag has been detached (to be emptied) and the motor is still running. A rotating blade can cause serious injuries!
- Always carefully fasten the ejector flap and grass bag. Switch off the motor before emptying the grass bag. Always ensure that a safe distance (provided by the length of the long handles) is maintained between the user and the mower housing. Be especially careful when mowing and changing direction on slopes and inclines.
- Maintain a solid footing and wear sturdy, non-slip footwear and long trousers. Always mow across an incline (not up and down).
- For safety reasons, the lawn mower may not be used to mow inclines with gradients exceeding 15 degrees.
- Use special caution when backing up and pulling the lawn mower towards you as such maneuvering of the machine poses a tripping hazard.

## Cleaning, Maintenance and Ordering Spare Parts

**⚠ WARNING!** Before cleaning, repairing, inspecting or carrying out any other maintenance work, ensure that the blade is not rotating and that the safety key has been disconnected.

### Cleaning

- Keep all safety devices, air vents and the motor housing free of dirt and dust as best as possible.
- Wipe the equipment with a clean cloth or blow it with compressed air at low pressure.
- Clean the equipment immediately after use with a damp cloth and some soft, non-abrasive soap. Do not use cleaning agents or harsh solvents; these may damage the plastic parts in the equipment. Ensure that no water penetrates the equipment's interior.
- Do not clean the lawn mower with running water, particularly with high-pressure water.
- Keep the handles dry, clean and free of oil and grease.
- At the end of the season, perform a general inspection of the lawn mower and remove any grass, dirt or other debris that may have accumulated.
- At the start of each season, check the condition of the mower blade. If repairs are necessary, please call the Snow Joe®/Sun Joe® customer service center for assistance at 1-866-766-9563.

### Servicing

- Ensure that all mounting components (i.e. screws, bolts, nuts etc.) are always tightened so that the equipment can be safely operated at all times.
- Frequently inspect the grass bag assembly for signs of wear and replace immediately with a genuine Snow Joe®/Sun Joe® part if damage is found.
- Replace excessively worn or damaged parts immediately.
- To maximize your mower's longevity, all screwed parts, including the wheels and axles, should be cleaned and lubricated.
- There are no parts inside the equipment which require additional maintenance or lubrication.

### Replacing the Mower Blade

**NOTE:** The mower blade is sharp and can cause severe personal injury if handled incorrectly. Wrap the blade or wear protective gloves, and use extra caution when servicing.

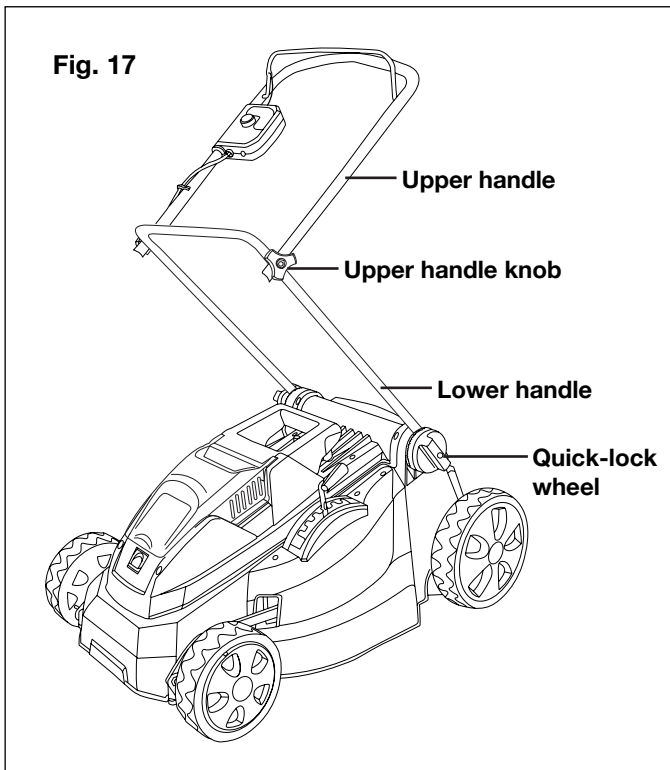
- The cutting components are subjected to more wear and tear than any other components of the unit. Therefore, routinely check the condition of the blade and make sure that it is tightly fastened. If the blade is completely worn, it must be immediately replaced or resharpened.
- An excessively vibrating mower means that the blade is not properly balanced or has become deformed from striking an object. In this case, the blade must be repaired or replaced.
- For safety reasons, we recommend having the blade replaced or resharpened by an authorized Snow Joe®/Sun Joe® service center.

### Ordering Replacement Parts

When servicing the mower, use only genuine replacement parts that are available from the manufacturer. In order to obtain replacement parts, visit our website at [snowjoe.com](http://snowjoe.com) or call our toll-free customer service helpline at 1-866-766-9563. The use of parts that do not meet the original equipment specifications may lead to improper performance of the lawn mower, may compromise operator safety and will void the manufacturer's warranty.

## Storage

1. Remove the battery and the safety key from the lawn mower.
2. Clean the lawn mower as described in the cleaning section.
3. Inspect the mower carefully for worn, loose or damaged parts. Check connections and screws and tighten if necessary. Pay special attention to the mower blade and replace/sharpen if it shows signs of wear.
4. Store the mower indoors in a dry, clean and cool area out of the reach of children. Do not store the unit next to corrosive materials, such as fertilizer and rock salt.
5. Do not cover the lawn mower with a solid plastic sheet. Plastic coverings trap moisture around the mower, which can damage the unit.
6. The handle on your lawn mower can be completely folded for compact storage. Start by loosening the handle knobs on each side of the upper handle and fold down the upper handle (Fig. 17).
7. Next, release the quick-lock wheel for the lower handle until you are able to collapse the handle completely (Fig. 17).



## Disposal and Recycling

The equipment is supplied in packaging to keep it intact during transit. The packaging is made of recyclable materials. Properly dispose of these materials in accordance with regulations.

### Environmentally Safe Battery Disposal

**CAUTION!** Rechargeable battery packs and cordless electric tools contain materials that are potentially harmful to the environment. Never place any cordless electric tools or battery packs in your household refuse. When cordless electric tools become defective or worn, remove the rechargeable battery pack and dispose of these items in accordance with federal, state and local regulations. Contact a recycling agency in your area for recycling locations.

**CAUTION!** Even discharged battery packs contain some energy. Before disposing, use electrical tape to cover the terminals to prevent the battery pack from shorting, which could cause a fire or explosion.

**WARNING!** To reduce the risk of injury or explosion, never burn or incinerate a battery pack even if it is damaged, dead, or completely discharged. When burned, toxic fumes and materials are emitted into the surrounding atmosphere.

## Support

If your Sun Joe® iON16LM cordless lawn mower requires service or maintenance, please call 1-866-SNOWJOE (1-866-766-9563) for assistance.

## Model and Serial Numbers

When contacting the company, reordering parts or arranging service from an authorized dealer, you will need to provide the model and serial numbers, which can be found on the decal located on the housing of the unit. Copy these numbers into the space provided below.

Record the following numbers from the housing or handle of your new product:

Model #: i O N 1 6 L M

Serial #: \_\_\_\_\_

# Troubleshooting

Fault	Possible Cause	Remedy
Motor does not start	<ul style="list-style-type: none"> <li>a) Capacitor defective</li> <li>b) Battery pack empty</li> <li>c) Cable defective</li> <li>d) Switch/plug block defective</li> <li>e) Motor terminals or capacitor disconnected</li> <li>f) Mower standing in high grass</li> <li>g) Mower housing is clogged</li> <li>h) Safety key is not inserted</li> <li>i) Battery is not correctly inserted</li> </ul>	<ul style="list-style-type: none"> <li>a) Contact an authorized service center</li> <li>b) Charge battery pack</li> <li>c) Check the cable</li> <li>d) Contact an authorized service center</li> <li>e) Contact an authorized service center</li> <li>f) Start motor on shorter grass or previously mowed area; change cutting height if necessary</li> <li>g) Clean housing so that the blade can run freely</li> <li>h) Insert safety key (Fig. 13)</li> <li>i) Remove the battery and reinsert</li> </ul>
Motor performance drops	<ul style="list-style-type: none"> <li>a) Grass too tall or damp</li> <li>b) Mower housing is clogged</li> <li>c) Blades badly worn</li> <li>d) Battery performance decreasing</li> </ul>	<ul style="list-style-type: none"> <li>a) Correct the cutting height</li> <li>b) Clean housing</li> <li>c) Replace blades</li> <li>d) Check the battery performance and charge the battery if necessary</li> </ul>
Unclean cuts	<ul style="list-style-type: none"> <li>a) Blades worn</li> <li>b) Wrong cutting height</li> </ul>	<ul style="list-style-type: none"> <li>a) Replace or sharpen the blade; contact an authorized service center</li> <li>b) Correct the cutting height</li> </ul>

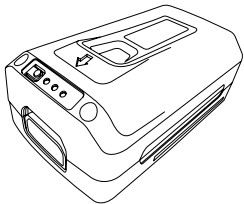
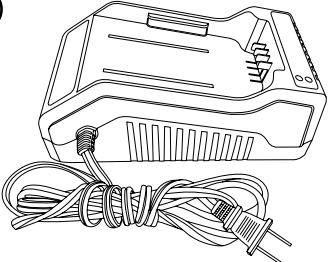

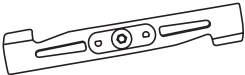
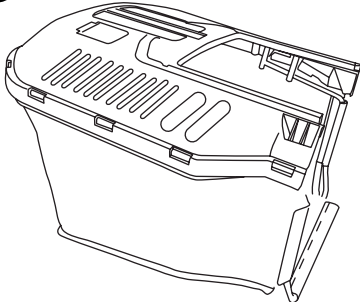
**IMPORTANT!** For protection, the motor is equipped with a thermal switch that cuts out when the motor is overloaded and switches on again automatically after a short cooling period.



# Accessories

**⚠ WARNING!** ALWAYS use only authorized Snow Joe®/Sun Joe® replacement parts and accessories. NEVER use replacement parts or accessories that are not intended for use with this tool. Contact Snow Joe®/Sun Joe® if you are unsure whether it is safe to use a particular replacement part or accessory with your tool. The use of any other attachment or accessory can be dangerous and could cause injury or mechanical damage.

**NOTE:** Accessories are subject to change without any obligation on the part of Snow Joe®/Sun Joe®. Accessories can be ordered online at [snowjoe.com](http://snowjoe.com) or via phone by contacting the Snow Joe®/Sun Joe® customer service department at 1-866-SNOWJOE (1-866-766-9563)

Accessories	Item	Model
	EcoSharp™ 40 V Lithium-Ion Battery	iBAT40
	EcoSharp™ 40 V Lithium-Ion Battery Charger	iCHRG40
	Safety Key	iON16LM-KEY
	15-Inch Mower Blade	iON16LM-BLD
	9.25 gal (35 l) Grass Bag	iON16LM-BAG





## A Two-Year Full Warranty for residential use in the United States and Canada



### General Conditions:

Snow Joe®, LLC warrants this product to the original purchaser for two years against defects in material or workmanship when used for normal residential purposes. Snow Joe®, LLC will repair any defect in material or workmanship, and repair or replace any defective part, subject to the conditions, limitations, and exclusions set forth herein. Such repair or parts replacement will be free from charge to the original purchaser except noted below.

The duration of the warranty applies only if the product is put to personal use around the household or residence. If the product is put to any business use, commercial or industrial, then the duration of this warranty is 90 days from the date of original purchase. If any product is rented or leased, the duration of the warranty is 90 days from the date of original purchase.

It is the owner's responsibility to perform correctly all maintenance, and minor adjustments explained in the owner's manual.

### Electric Products:

To obtain a replacement electric powered unit or repair the existing electric powered unit, you must return the complete unit and postage prepaid to: **Snow Joe Return Center, 86 Executive Avenue, Edison, NJ 08817.**

### Gasoline / Battery Products:

#### Limitations

- Batteries are warranted only for the period of 12 months after the date of purchase on a prorated basis. Rechargeable batteries will be replaced free from charge during the first 90 days. After the initial 90 days, batteries will be replaced at a prorated cost to the customer.
- Idlers, cables, and electrical components are warranted to the original purchaser for use at household or residence for a period of two years.

#### Exclusions

- Snow Joe® brand engines are covered under this warranty. All other engines and engine accessories are covered only by the engine manufacturer's warranty and are not covered by this warranty.
- Parts used that are not genuine Snow Joe® parts are not covered by this warranty.
- Damages resulting from misuse, alteration, improper assembly, improper adjustment, neglect, or accident which requires repair is not covered under this warranty.
- Belts, augers, and tines are not covered under warranty – belts, augers, and tines wear out and can be purchased at [snowjoe.com](http://snowjoe.com) or by calling 1-866-766-9563.

Snow Joe®, LLC may from time to time change the design of its products. Nothing contained in this warranty shall be construed as obligating Snow Joe®, LLC to incorporate such design changes into previously manufactured products, nor shall such changes be construed as an admission that previous designs were defective.

This warranty is intended to cover product defects only. Snow Joe®, LLC is not liable for indirect, incidental, or consequential damages in connection with the use of the Snow Joe® Products covered by this warranty. This warranty does not cover any cost or expense incurred by the purchaser in providing substitute equipment or service during reasonable periods of malfunction or non-use of this product, while waiting for completion of repairs under this warranty. Some states do not allow exclusions of incidental or consequential damages, so the above exclusions may not apply in all states. This warranty may give you specific legal rights in your state.

**If you wish to contact Snow Joe®, please direct inquiries to the:  
Customer Service Department  
Snow Joe Center  
86 Executive Avenue  
Edison, NJ 08817**

Customers who have purchased Snow Joe® products exported from the United States and Canada should contact their Snow Joe® Distributor (Dealer) to obtain information applicable for your country, province, or state. If for any reason, you are not satisfied with the distributor's service, or if you have difficulty obtaining warranty information, contact your Snow Joe® seller. If in the event your efforts are unsatisfactory, please write to the Snow Joe® Center at the above address.

If you have any questions about your product warranty, please call 1-866-SNOW-JOE or visit us online at [snowjoe.com](http://snowjoe.com).



[snowjoe.com](http://snowjoe.com)