

INSTALLATION INSTRUCTIONS

48" MULCH KIT - 582 55 99-01/582 56 00-01

IMPORTANT: BEFORE PROCEEDING, PLACE ALL CONTROLS IN THE DISENGAGED OR THE OFF POSITION, REMOVE SPARK PLUG WIRES FROM THE SPARK PLUGS.



WARNING!

Blades are sharp. Protect your hands with gloves and/or wrap blades with a heavy cloth when handling.

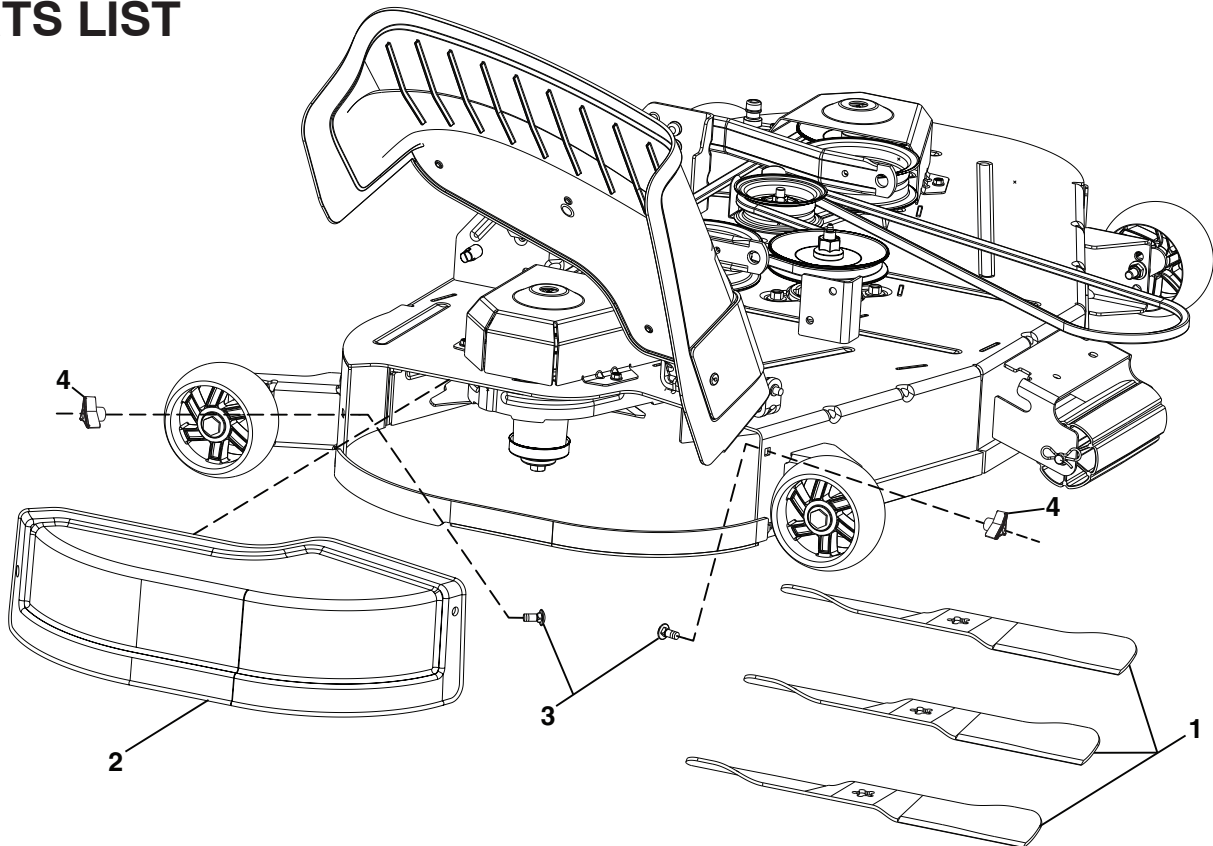
1. Block the front of the mower up to give access to the underside of the deck. Carefully remove the cutting blades, retaining the hardware. Clean any grass out from underneath the deck.
2. Using hardware provided, fasten the mulch cover to the deck.
3. Install the mulching blades using the existing hardware (torque to 70-85 ft.lbs.).
4. Make sure all hardware is tight.
5. Remove blocks and return the mower to its normal position.

Mulching Guidelines

To ensure acceptable mulching performance:

- The length of grass to be cut in one pass should not exceed 1/3 of the total grass height.
Example: If the grass height is 3", mower deck cutting height should be set at no less than 2".
- Ground speed should normally be reduced to allow clippings to be finely mulched.
- Engine RPM should be set at maximum.
- Blades must be kept sharp.
- The underside of deck should be cleaned out often to prevent grass accumulation.
- Conditions must be dry. Wet grass does not mulch well and grass accumulates under deck.

PARTS LIST



ITEM	PART NO	QTY.	DESCRIPTION
1.....	588 81 11-02	3	MULCHING BLADE (Included with Kit 582 55 99-01)
1.....	588 81 13-02	3	MULCHING BLADE (Included with Kit 582 56 00-01)

ITEM	PART NO	QTY.	DESCRIPTION
2.....	588 81 42-01	1	MULCH COVER
3.....	872 14 05-06	2	BOLT
4.....	589 29 12-01	2	KNOB