

# INSTALLATION SHEET

## Striper Kit — 19A70047100

Model 19A70047100 striper kit is designed for use with select Residential Zero Turn (RZT) mowers. Refer to your RZT's Operator's Manual to assure compatibility.

### Carton Contents

Before beginning installation, remove all parts from the carton to make sure everything is present. Carton contents are listed below. Part numbers are shown in parentheses.

- One Roller Support Bracket (703-09967)
- One Roller Pin (711-05664)
- Four Rollers (731-05679B)
- One Hardware Pack
  - Four  $\frac{3}{8}$ -16 x .75 Carriage Bolts (710-3178)
  - Four  $\frac{3}{8}$ -16 Flange Lock Nuts (712-04065)
  - One  $\frac{1}{2}$ -13 Hex Lock Nut (712-3083)

### Installation

Using the four carriage bolts and flange lock nuts, install the roller support bracket onto the back of the deck as shown in Figure 1-1.

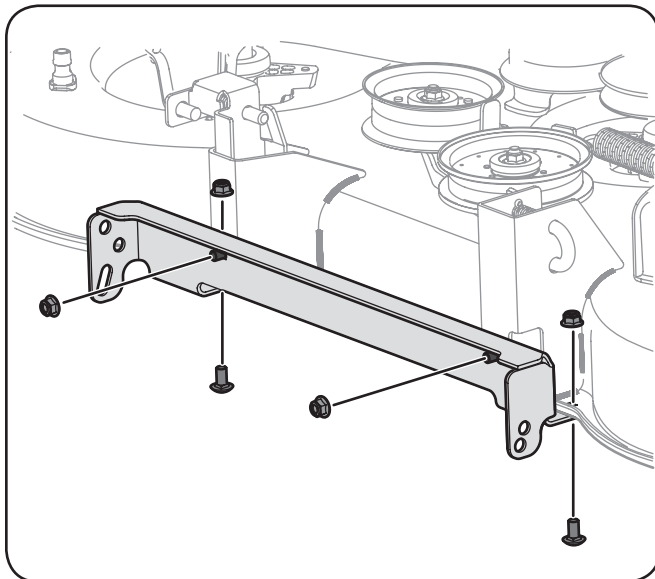


Figure 1-1

With the roller support bracket installed, slide the roller pin through the left side of the bracket, through the four roller pins and out the other side of the bracket. Secure the pin and rollers in place by inserting the hooked end of the pin in the appropriate hole in the bracket and install the hex lock nut. See Figure 1-2.

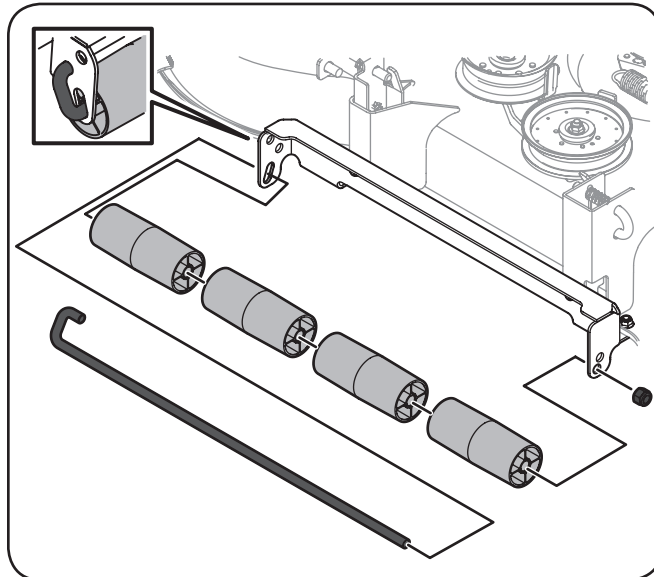


Figure 1-2

### Set-Up

The roller can be adjusted to two different heights. To change the height of the striper kit, remove the hex lock nut and slide the pin out far enough to move it into the desired height setting on the right side of the bracket. Secure the hooked end of the pin and install the hex lock nut to lock into position.

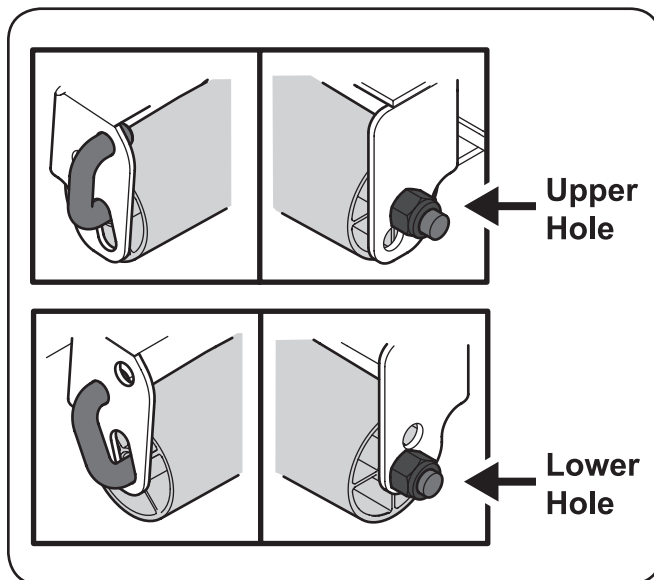


Figure 1-3

**NOTE:** Deck wheels may need adjusted for maximum striping performance. See your tractor's Operator Manual for instructions on adjusting the deck wheels.

CUB CADET LLC, P.O. BOX 361131 CLEVELAND, OHIO 44136-0019