

# Supplement Sheet

For shipping purposes some consoles may need to be installed. Refer to the information below and the instructions found in Set-up and Assembly section of your Operator's Manual.

## Securing the Steering Column (Non-Tilt Tractors)

The steering wheel column is tilted all the way back for shipping.

1. Place the steering wheel column in one of the two positions and secure in place with the hex screws and flat washers packed separately. See Figure 1.

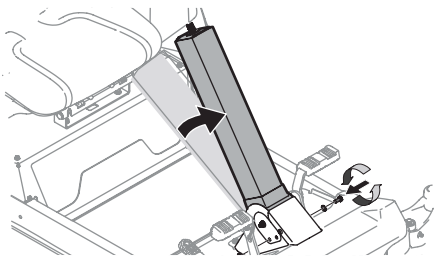


Figure 1

## Securing the Steering Column (Tractors w/ Tilt Steering)

The steering column is shipped all the way back for shipping. Lift the steering column up until it clicks into the lowest tilt position. Then the steering column can be adjusted to the desired height as instructed in the Controls & Operations section of the Operator's Manual.

## Installing the Console (If necessary)

2. Connect the headlight harness/12V wiring harness to the main harness. Make sure the D-shape connectors align properly. See Figure 2.

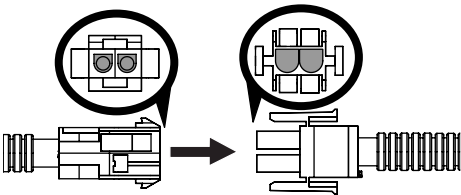


Figure 2

3. Slide the console onto the steering column with the wiring harness tucked in behind the console. Make sure the lower portion of the console is inside the lower column cover. See Figure 3 and Figure 4.

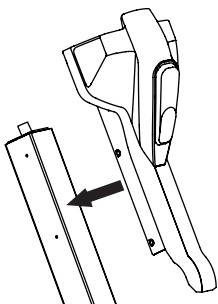


Figure 3

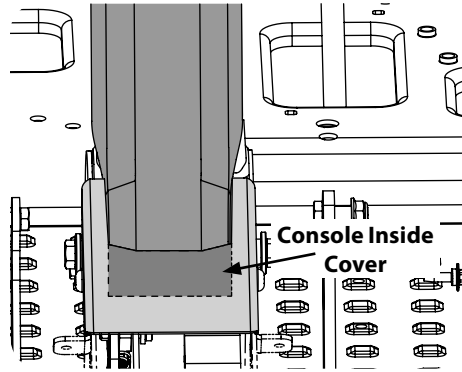


Figure 4

4. Secure the console in place with the six shoulder screws. See Figure 5. Torque the shoulder screws to 60 in/lbs (+/- 20%).

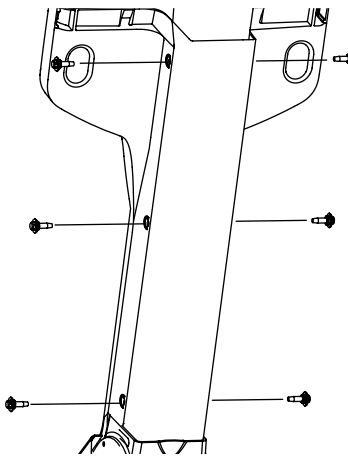


Figure 5

**Note:** Do not overtighten the shoulder screws. Doing so can cause damage to the console.

## Installing the Steering Wheel (If necessary)

1. Remove the hardware (a) from beneath the steering wheel cover (b). Carefully pry off the steering wheel cover (b) to remove the hardware. See Figure 6.

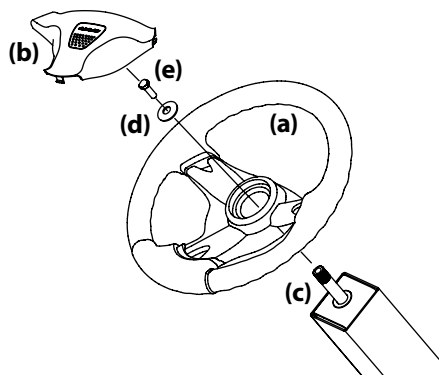


Figure 6

2. With the wheels of the tractor pointing straight forward, place the steering wheel (a) over the steering shaft (c). See Figure 6.

3. Place the bellville washer (d) over the steering wheel (a) and secure with the hex screw (e). See Figure 6.
4. Place the steering wheel cover (b) over the center of the steering wheel (a) and push downward until it "clicks" into place. See Figure 6.

## Securing the Lap Bars (Tractors w/ Lap Bars)

The lap bars are tilted down for shipping.

1. Pivot the right lap bar upward and fasten it to the mounting bracket with a hex screw and flat washer packed separately. Refer to Figure 7. Do *not* tighten at this time.

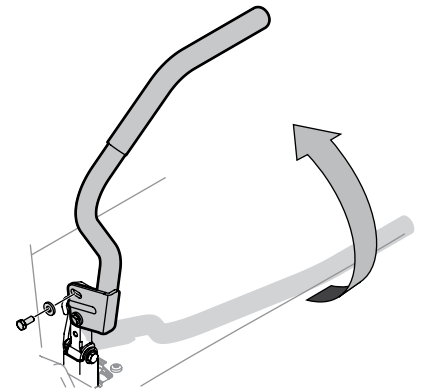


Figure 7

2. Repeat Step 1 on the left lap bar.
3. Pivot the lap bars into the desired operating position.
4. Using a 1/2" wrench, tighten the screw on the right side to secure the lap bar in place.
5. Align the left lap bar with the right lap bar. Tighten the screw on the left side to secure the lap bar in place.

### CAUTION

Torque the screws down tightly to prevent the lap bars from slipping out of position.