

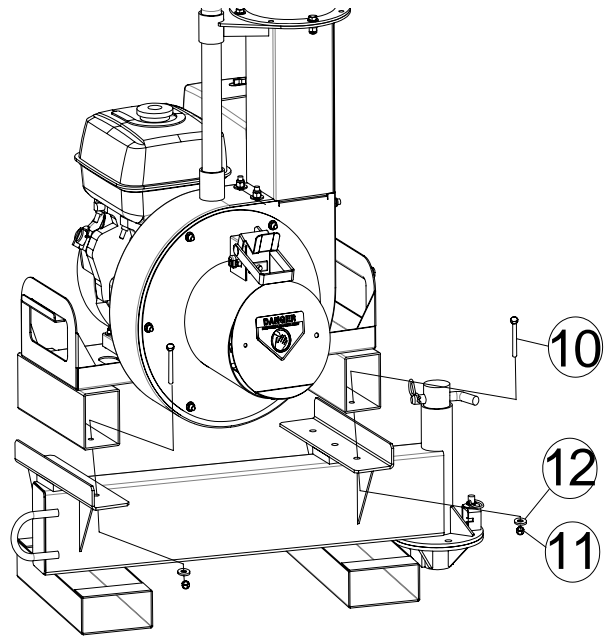
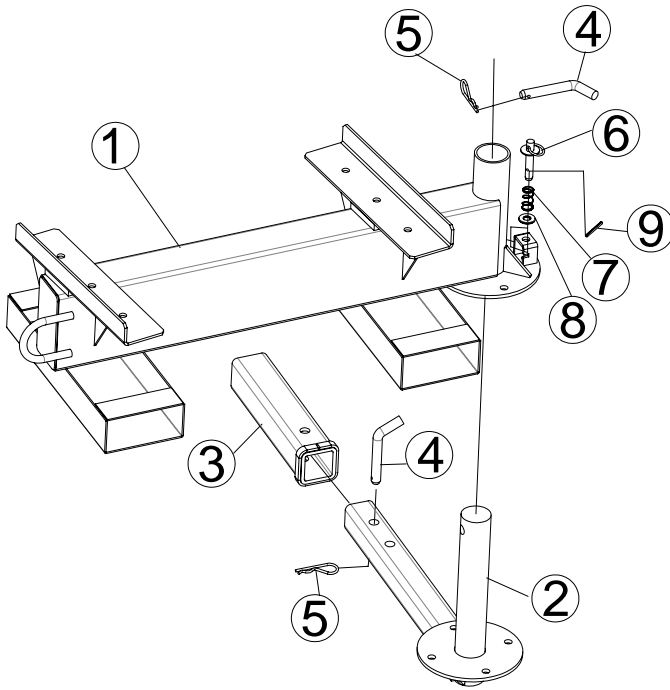


## DL STAKE SWING AWAY KIT

# BILLY GOAT DEBRIS LOADER

FOR DL MODELS 12/13/18

To allow easy unloading of a stake body dump truck by temporarily swinging the loader out of the way.



Attach the DL to the hitch using the hardware provided.

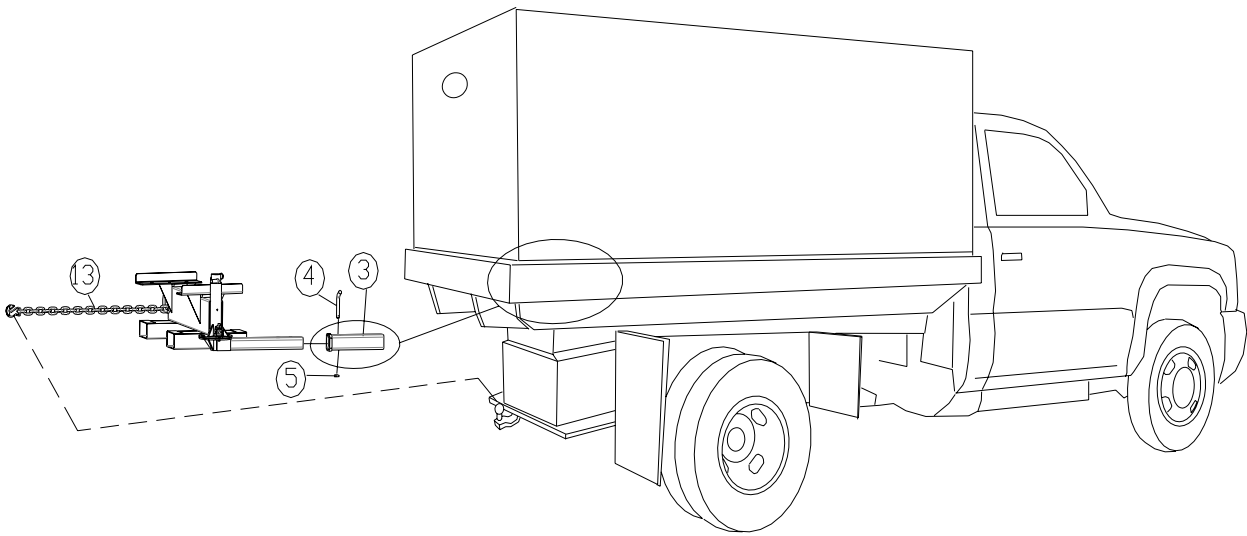
| Item No | Part No | Description                 | Qty |
|---------|---------|-----------------------------|-----|
| 1       | 812342  | UNIT PIVOT WA               | 1   |
| 2       | 812351  | TRUCK PIVOT WA              | 1   |
| 3       | 812355  | TUBE TRUCK WA               | 1   |
| 4       | 811168  | PIN BENT ARMM 5/8" - 3"     | 2   |
| 5       | 811169  | PIN HAIR SPRING 5/8" - 3/4" | 2   |
| 6       | 812360  | PIN LOCK                    | 1   |
| 7       | 812362  | SPRING LOCK                 | 1   |
| 8       | 8172011 | WASHER 1/2" SAE             | 1   |
| 9       | 812361  | ROLL PIN LOCK               | 1   |
| 10      | 8041050 | SCREWCAP 3/8"-16 X 1"       | 4   |
| 11      | 8160003 | NUT LOCK 3/8"-16            | 4   |
| 12      | 8171004 | WASHER 3/8" FC              | 4   |
| 13      | 812359  | CHAIN HOOK                  | 1   |



## DL STAKE SWING AWAY KIT



ALWAYS transport with swing away hitch in closed position



Item 3, tube truck, is to be installed by welding it to the side frame of the truck. Exact position will be determined by the individual user's collection box position.

**All welding must be done by a certified welder.**

Secure the unit when in transport with the chain, item 13.