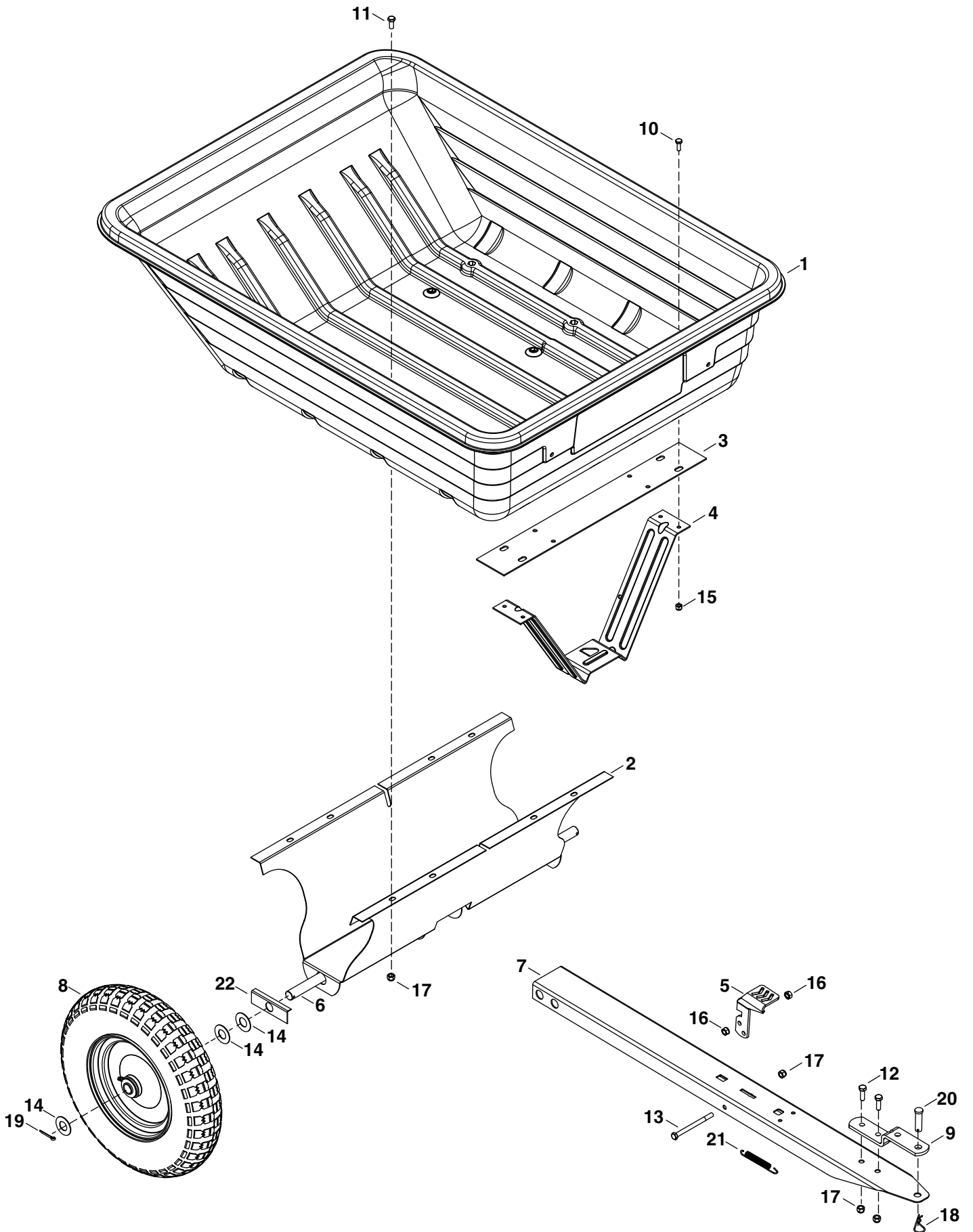


45-0533



45-0533

REF	PART NO	QTY	DESCRIPTION
1	40472	1	Poly Tray
2	24527	1	Wheel Support
3	24386	1	Latch Stand Plate
4	24497	1	Latch Stand Bracket
5	28258	1	Foot Pedal
6	24896	1	Axle
7	28548	1	Tongue
8	43008	2	Wheel
9	23687	1	Hitch Bracket
10	43012	4	Bolt, Hex 1/4-20 X 3/4
11	43182	8	Bolt, Hex 5/16-18 X 3/4
12	43063	2	Bolt, Hex 5/16-18 X 1
13	47407	1	Bolt, Hex 5/16-18 X 4
14	43009	6	Washer, .785 X 1.57 X .057
15	47189	4	Nut, Hex 1/4-20 Nyloc
16	46980	2	Nut, Hex 5/16-18 SEMS
17	47810	11	Nut, Hex .312-18 Nyloc
18	43343	1	Pin, Hair Cotter 3/32
19	43010	2	Pin, Cotter 1/8 X 1-1/4
20	HA23638	1	Pin, Clevis 1/2 X 1-3/4
21	47408	1	Extension Spring
22	25912	2	Axle Keeper
23	47622	1	Spring Puller
	45553	1	Owner's Manual