

Cub Cadet.

INSTALLATION MANUAL

48-inch Mulch Kit — 19A70037100

54-inch Mulch Kit — 19A70038100

60-inch Mulch Kit — 19A70039100

19A70037100, 19A70038100 and 19A70039100 mulch kits are designed for use with three-blade fabricated cutting decks found on select Cub Cadet models. Refer to your machine's Operator's Manual or consult your Cub Cadet dealer to assure compatibility.

Carton Contents

Before beginning installation, remove all parts from the carton to make sure everything is present. Carton contents are listed below and shown in Figure 1-1. Part numbers are shown in parentheses.

- Two 1-inch Carriage Bolts (710-3168)
- Nine ¾-inch Carriage Bolts (710-3178)
- Eleven Flange Nuts (712-05007)
- Three Mulch Blades (see table)
- One Discharge Baffle (see table)
- One Center Baffle (see table)
- One Left Baffle (see table)

	19A70037100	19A70038100	19A70039100
Blades	742-04278A	01005380	01005381
Discharge Baffle	703-09529A	703-09530A	703-09531A
Center Baffle	703-07182	703-07194	703-07178
Left Baffle	703-07210A	703-07193A	703-07177A

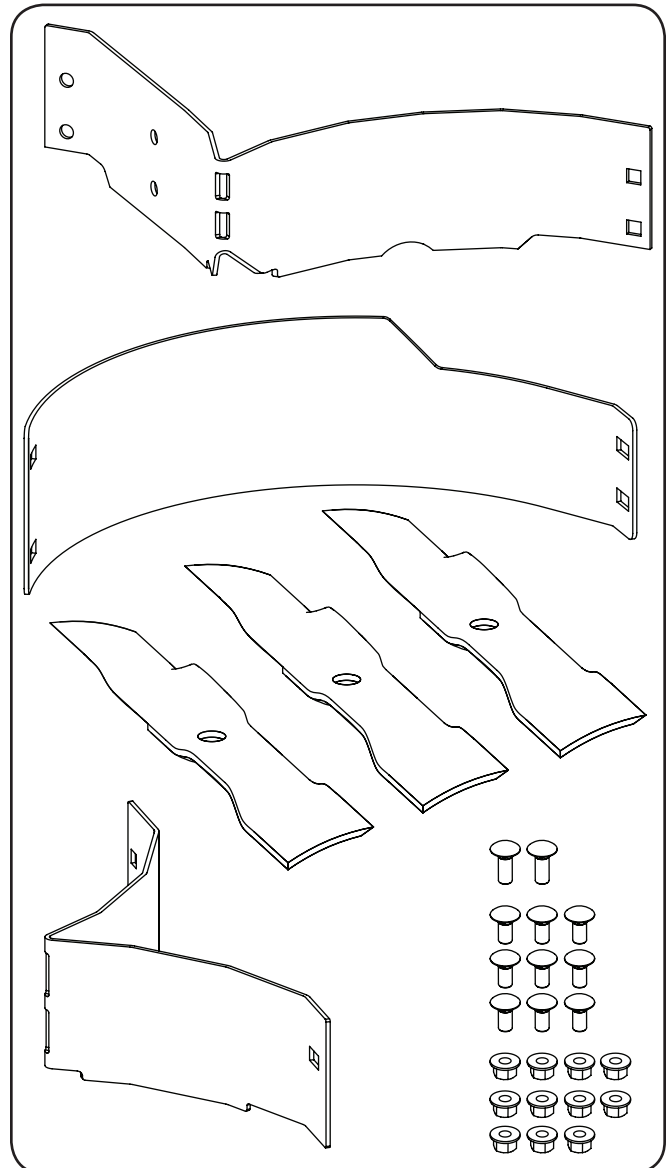


Figure 1-1

CUB CADET LLC, P.O. BOX 361131 CLEVELAND, OHIO 44136-0019

Blade Installation



WARNING: Before beginning installation, place the tractor on a firm and level surface, set the parking brake, place the PTO in the disengaged (OFF) position, stop the tractor's engine and remove the ignition key to prevent unintended starting.



WARNING: Cutting blades are sharp. Always protect hands by wearing heavy leather work gloves to grasp blades.

1. Remove the cutting deck from beneath the tractor as instructed in your tractor's Operator's Manual.
2. Gently flip the deck over to expose its underside,
3. Place a block of wood between the deck housing baffle and the cutting blade to act as a stabilizer, then use a wrench to remove the hex flange nut that secures each blade to its spindle assembly. See Figure 1-2.

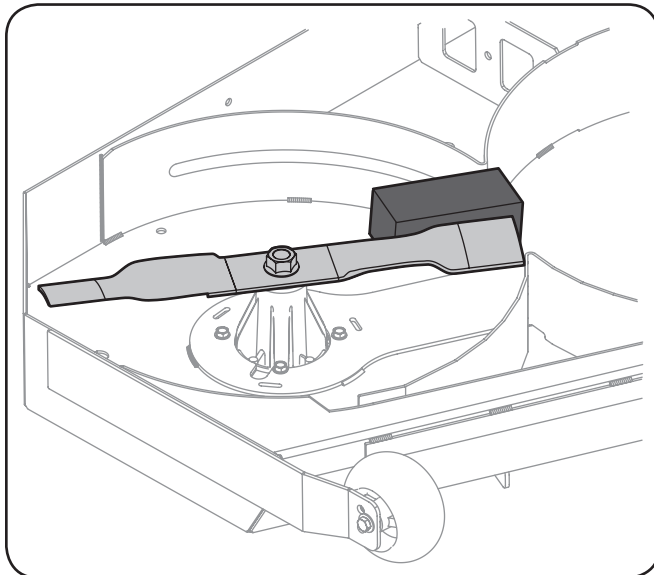


Figure 1-2

IMPORTANT: The hex flange nuts have a right-handed (normal) thread pattern. Do NOT attempt to force the nuts in the opposite direction. Doing so may damage the nut.

4. Replace the blades with the blades included in the kit. Be sure to install each blade with the side marked "Bottom" (or with a part number stamped in it) facing the ground when the mower is in the operating position.

IMPORTANT: Use a torque wrench to tighten each blade spindle's hex flange nut to between 90 ft-lb and 110 ft-lb.

Baffle Installation



CAUTION: Do not remove the cutting deck's discharge chute when operating the mower with the mulch kit installed.

1. Install the center baffle using four 3/4-inch carriage bolts (and four flange nuts) to secure it. See Figure 1-3.

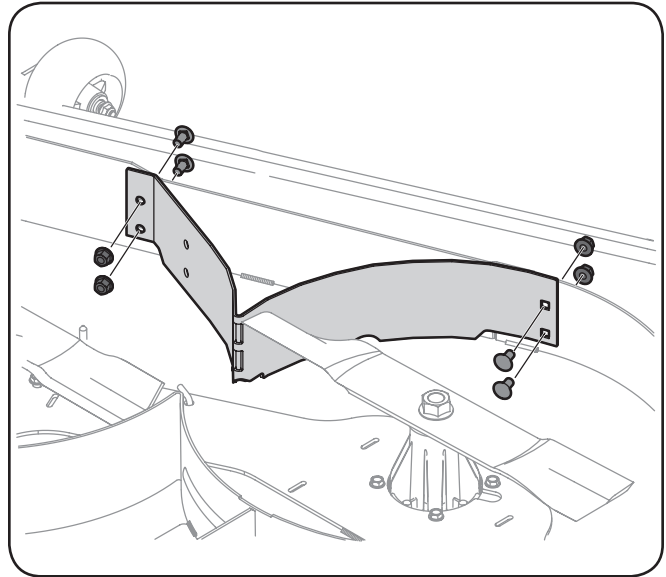


Figure 1-3

2. Install the discharge baffle using the two 1-inch carriage bolts (and two flange nuts) to secure the back portion, and two 3/4-inch carriage bolts (and two flange nuts) to secure the front portion. See Figure 1-4.

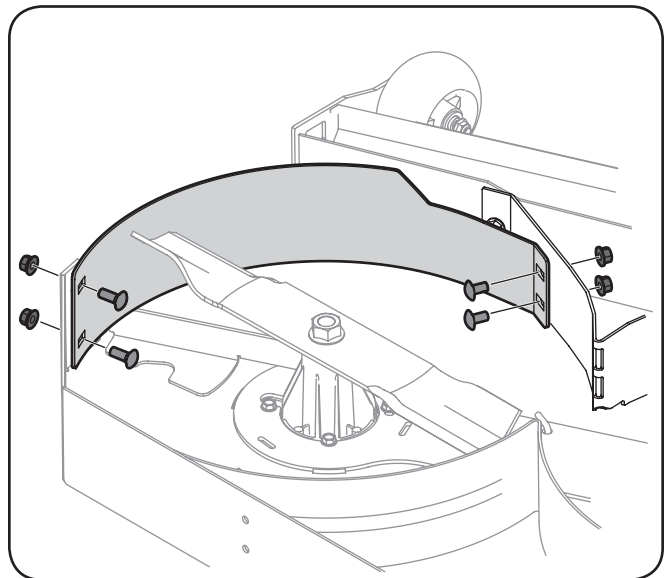


Figure 1-4

3. Install the left baffle using three ¾-inch carriage bolts (and three flange nuts) to secure it. See Figure 1-5.
- 5.

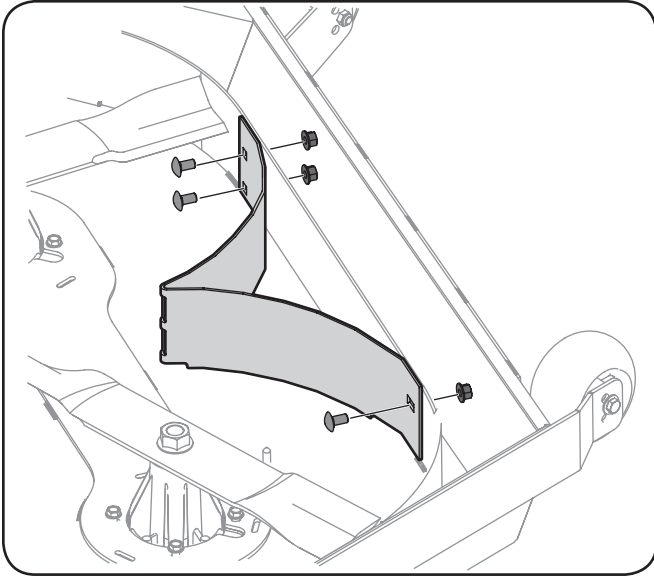


Figure 1-5



To order replacement parts, call the Customer Dealer Referral Line at 1-877-282-8684
or visit www.cubcadet.com to find the nearest Cub Cadet dealer in your area.
