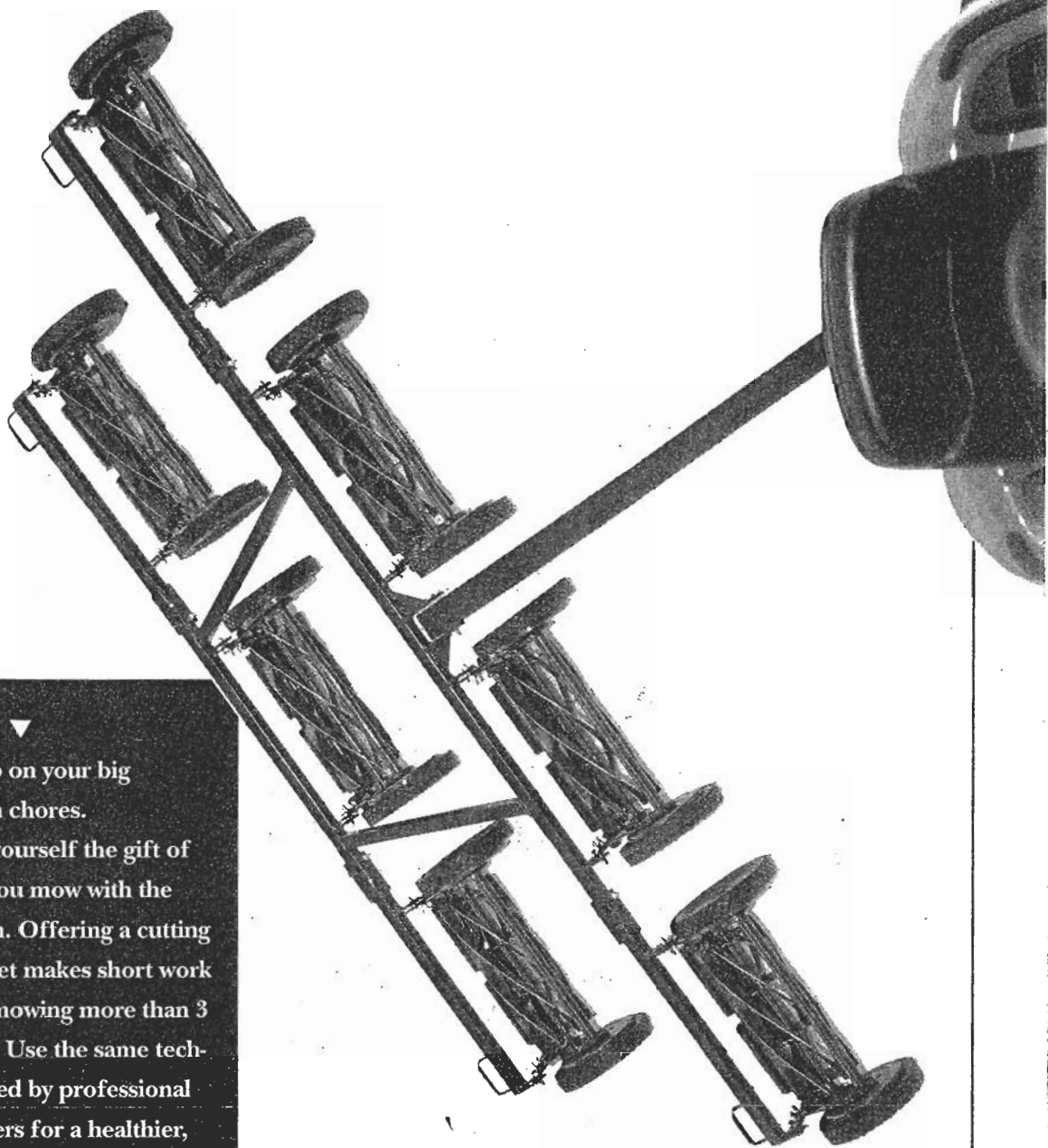


# The Gangs All Here.

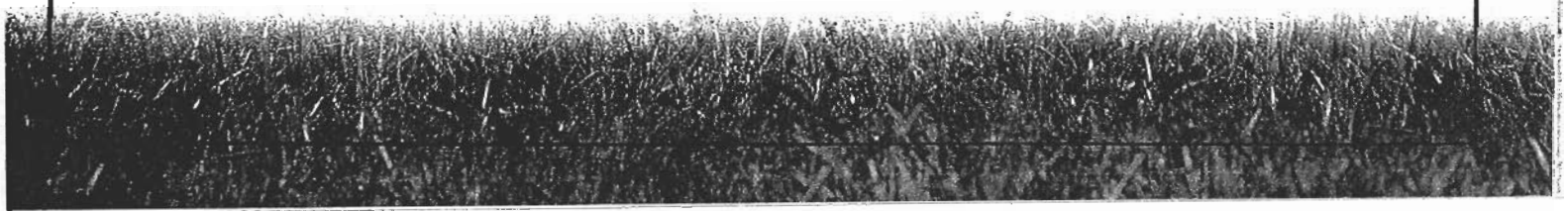


▼  
Gang-up on your big  
lawn chores.

You can give yourself the gift of time when you mow with the gang reel system. Offering a cutting width up to 8 feet makes short work of big jobs, by mowing more than 3 acres per hour. Use the same technique preferred by professional groundskeepers for a healthier, more beautiful lawn.

MADE IN USA

A DIVISION OF



## **GENERAL INFORMATION**

CONGRATULATIONS ON YOUR PURCHASE OF THE MOST AFFORDABLE ALTERNATIVE FOR QUICKER, MORE EFFICIENT MOWING. THE GANG SYSTEM IS DESIGNED TO BE KIND TO YOUR LAWN AND MAKE SHORT WORK OF BIG LAWNS.

PLEASE FOLLOW THE ASSEMBLY INSTRUCTIONS AS LISTED. WE HAVE FOUND IT IS MUCH EASIER AND QUICKER TO ASSEMBLE WHEN YOU ATTACH THE THREE CENTRAL MOWING HEADS TO THE MAIN FRAME FIRST, THEN PROCEED TO THE FOLDING ARMS.

## **WARRANTY INFORMATION**

THIS PRODUCT IS COVERED BY A LIMITED WARRANTY, WHICH REQUIRES REGISTRATION TO ACTIVATE IT. A WARRANTY REGISTRATION CARD IS INCLUDED IN YOUR OWNERS MANUAL. (SHOULD IT BE MISSING, CALL 1-800-377-5888). FAILURE TO REGISTER YOUR WARRANTY WILL VOID ALL EXPRESSED COVERAGE. SEE WARRANTY POLICY FOR SPECIFIC DETAILS.

## **GANG MOWER DISCLAIMER**

### **TRANSMISSIONS: IMPORTANT NOTICE**

DUE TO THE VAST VARIETY OF TRANSMISSIONS AND TRANS-AXLE COMBINATIONS, WE RECOMMEND THAT YOU THOROUGHLY CHECK THE OWNERS MANUAL OR CONSULT THE ORIGINAL MANUFACTURER OF YOUR LAWN TRACTOR TO ENSURE ITS CAPABILITIES FOR PULLING THIS TYPE OF GANG MOWER SYSTEM.

### **MOWING SPEED:**

WE HAVE ESTABLISHED THAT EXCESSIVE GROUND SPEED WHEN PULLING THIS GANG REEL SYSTEM CAN DRAMATICALLY AFFECT ITS CUTTING PERFORMANCE. WE RECOMMEND A MOWING SPEED OF LESS THAN FOUR (4) MILES PER HOUR. ACTUAL GROUND CONTOUR AND VARIETY OF GRASSES AND MOWING CONDITIONS OF BOTH MAY DICTATE THE OPTIMUM MOWING SPEED.

### **IMPORTANT**

IN THE EVENT YOU HAVE DIFFICULTY DURING THE ASSEMBLY PROCESS, IF YOU ARE MISSING ANY PARTS, OR SIMPLY HAVE QUESTIONS CONCERNING ASSEMBLY OR OPERATION, CALL OUR CUSTOMER HELP LINE 1-800-377-5888.

DO NOT RETURN THE UNIT TO YOUR RETAILER. YOUR NEEDS CAN BE MET BETTER AND ON A MORE TIMELY BASIS BY DEALING DIRECTLY WITH US FIRST. WE ARE THERE TO ASSIST YOU ANY WAY WE CAN.

**HELP LINE 1-800-377-5888**

## ASSEMBLY INSTRUCTIONS

### I. MOWERS TO MAIN FRAME

First step in assembly of the unit is to attach three mowing heads to the main frame starting with rear center head.

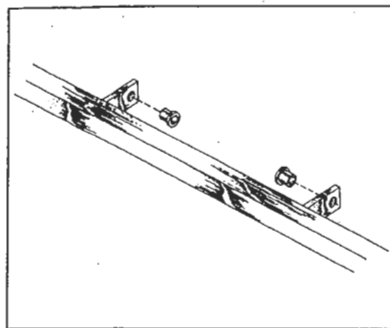


FIG. 1

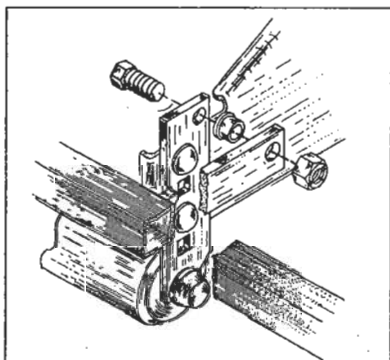


FIG. 2

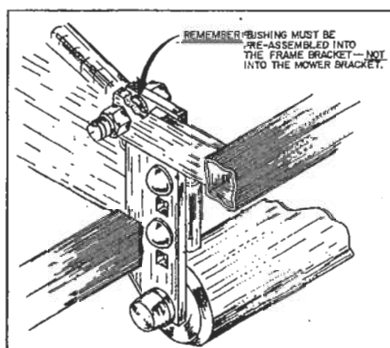


FIG. 3

- A) Position brass bushing through hole in the pair of attachment brackets for the mower. Be sure to position them so the flange is against the mowing head. **FIG. 1**
- B) Remove one mowing head from the box and position between the brackets and push into place, aligning the hole in the attachment bracket with the top hole of the roller brackets on mowing head **FIG. 2**
- C) Place one carriage bolt (1 1/4") through the mower with head of bolt against mower bracket and through the attachment bracket and bushing.
- D) Finger tighten nylok nut until nylon ring prevents turning.
- E) Repeat for opposite side.
- F) Tighten nuts using appropriate wrench until nut snugs against end of brass bushing (the mower head should pivot vertically on the bushings.) It will be necessary to use open end or crescent wrench on out board side of attachment bracket on the center rear head. **FIG. 3**

**Repeat for remaining two heads.**

### II. WINGS TO MAIN FRAME (ON 5 & 7 HEAD UNITS ONLY)

Upon completing assembly of mowing heads to main frame you are ready to attach the folding wings to the main frame.

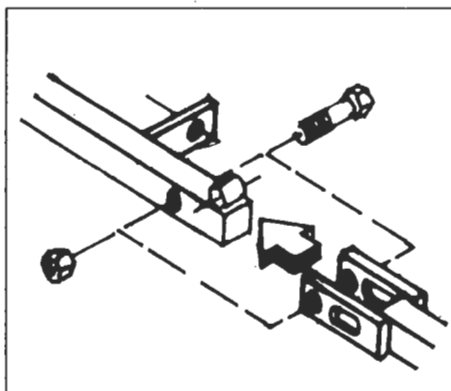


FIG. 4

- A) Slip the clevis end of wing over end of main frame (as shown in **figure 4**). Align the hole in the end of the clevis with the hole in the main frame (handle should be on back side of unit).
- B) Using the 3" long bolt slip through the clevis and main frame.
- C) Attach nut and tighten with socket or crescent wrench.

**DO NOT OVERTIGHTEN, WINGS MUST PIVOT.**

**Repeat for remaining wings.**

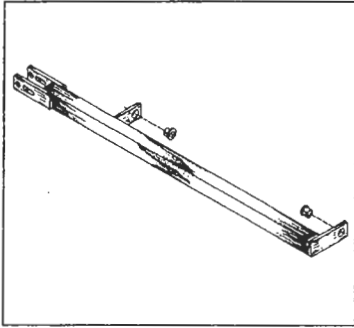


FIG. 5

### III. MOWER HEADS TO WINGS

Following steps are to assemble mower heads to folding wings.

- A) Place bushings through holes in mower attachment brackets with flange side so that it will rest against the mower. As shown in **FIG. 5**.

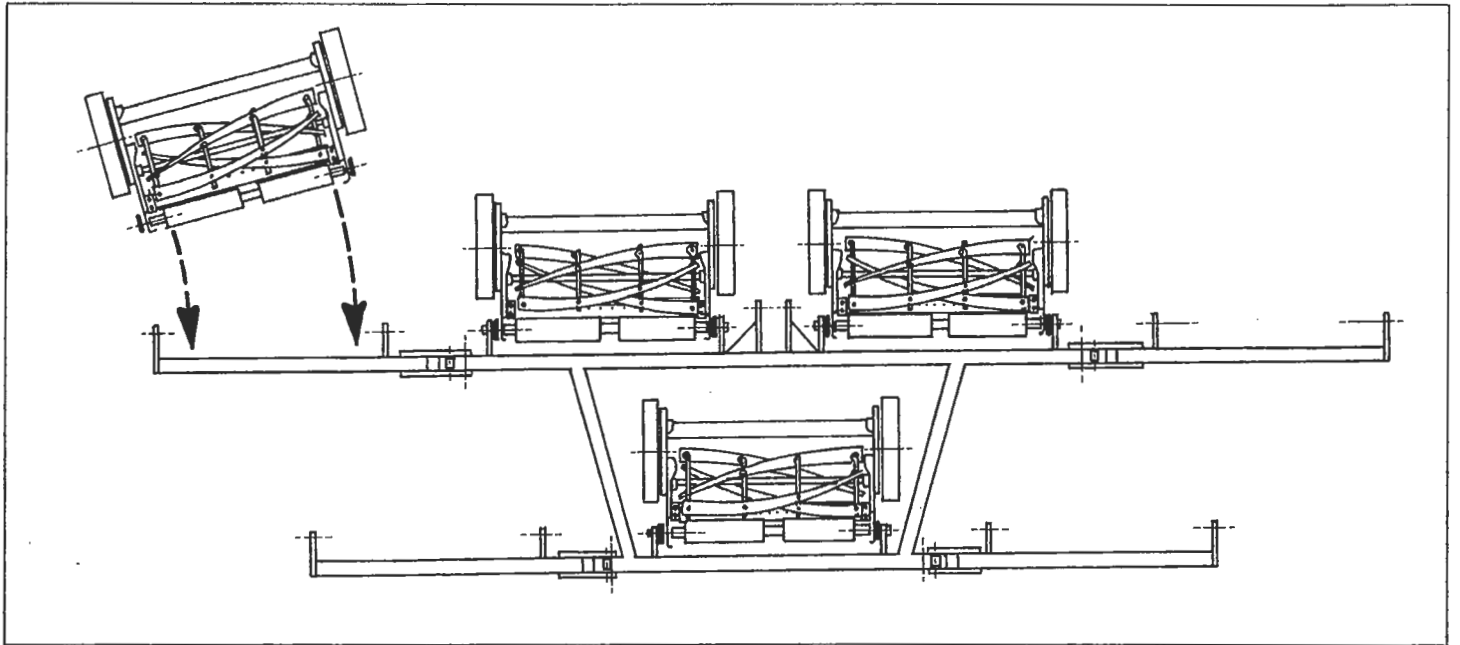


FIG. 6

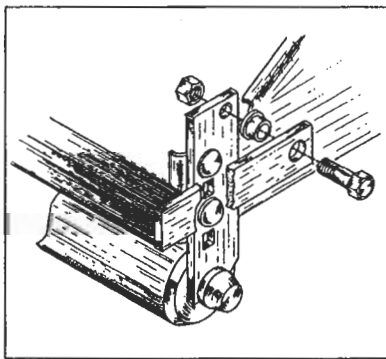


FIG. 7

- B) Position mower between the attachment brackets against the flanges of the bushing (this may be a snug fit) as shown above. **FIG. 6**

- C) Align hole in bracket with the top hole in the roller bracket as shown in **FIG. 7**. Position carriage bolt through the bracket, and through the bushing & attachment bracket of the wing.

- D) Finger tighten nylon insert nut until nylon ring prevents further tightening.

- E) Repeat for opposite side of mower.

- F) Tighten nylok nut with socket or crescent wrenches. **FIG. 8**  
Repeat for remaining mower heads.

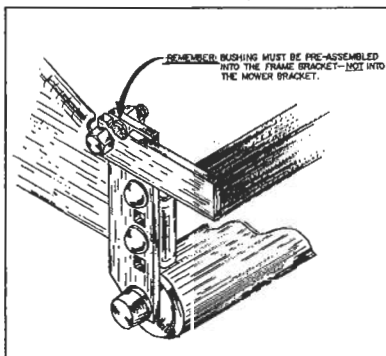


FIG. 8

#### IV. DRAW BAR TO MAIN FRAME

Last step assembles drawbar to main frame.

- A) Position drawbar between attachment brackets.
- B) Align holes and push 4" bolt through holes.
- C) Assemble and finger tighten nylok nut.
- D) Tighten nut with appropriate wrenches.

**DO NOT OVERTIGHTEN, BAR MUST PIVOT.**

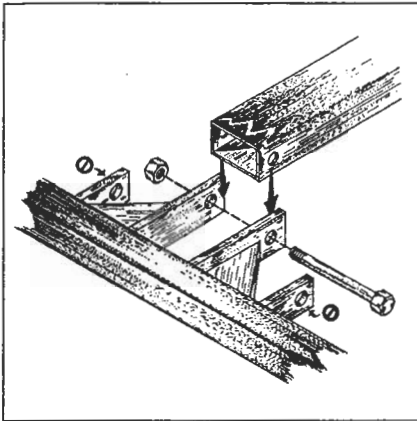


FIG. 9

#### V. RAISING AND SECURING WINGS

The folding wings are designed to be locked in a raised position for ease in storing. Under no circumstances should you mow or travel with the wings in the raised position; doing so **COULD VOID WARRANTY.**

- A) Grasp the handle of the wing and raise until the elongated slot in the clevis and the hole in the round piece of tube on top of the main frame align. **FIG. 10**
- B) Push hitch pin through and secure by locking spring over pin.

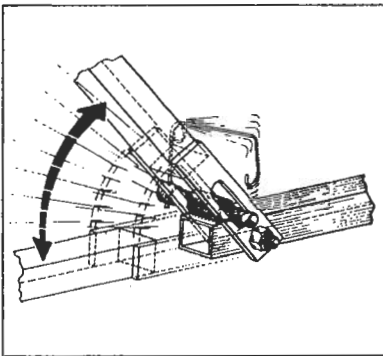


FIG. 10

## MOWER HEADS USAGE AND CARE

### BLADE ADJUSTMENT

#### FIG.7

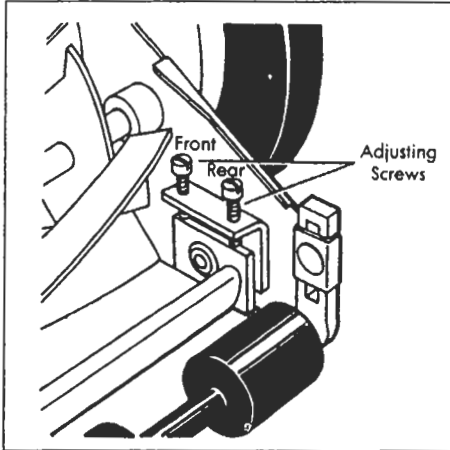


FIG. 11

- Blades are adjusted before leaving factory for proper cut. Normally no further adjustment is required.
- Misalignment can occur during shipping or after prolonged use, resulting in a rough or uneven cut.
- All adjustments should be made from the rear of the mower as shown.
- Cutting action is adjusted through use of adjusting screws that pivot the cutter bar similar to a teeter-totter.
- Each side can be adjusted separately. The front screws (when tightened) loosen up the cutting action by forcing the cutter bar away from the reel. The rear adjustment screw (when tightened) tightens the cutting action by forcing the cutter bar towards the reel blade.
- Refer to **FIG. 11**
- Adjusting the screws is a precise procedure. 1/16 of a turn is considered a major adjustment. Work in small adjustments.
- Major changes in adjustment may require loosening the opposing screw (front or back) an equal amount.

### LOOSENING THE BLADES

- Condition: Reel will not turn freely because the cutter bar blade is set too tight. (Note: blades should make contact and have a clean whisping sound when set properly.)
- The cutter bar must be moved away from the reel slightly.
- Loosen one or both back screws (depending on area binding) slightly by turning them counter-clockwise.
- Tighten one or both front screws slightly to push cutter bar down and away.

### TIGHTENING BLADES

- Condition: Mower is not cutting grass properly; the reel and cutter bar are not making contact.
- The cutter bar must be moved closer to the reel to regain proper contact adjustment.
- Loosen one or both front screws slightly by turning them counter-clockwise.
- Tighten one or both rear screws correspondingly by turning them clockwise a small amount at a time until proper contact is made.

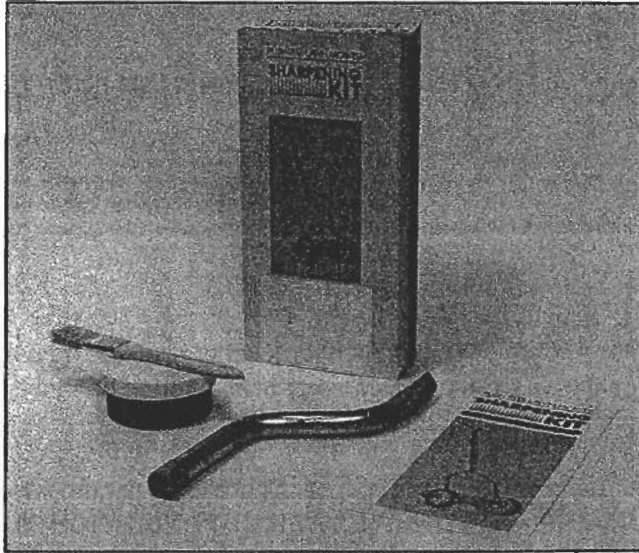
## GENERAL CARE

- To avoid damage to your mower the area should be kept free of debris such as rocks and tree limbs.
- Unit should be stored in a dry place.
- Regular applications of WD-40 to all exposed cutter surfaces will prolong life and prevent rust.

## SHARPENING THE BLADES

- A sharpening kit to back lap the blades is available by contacting your retailer or factory direct by calling **1-800-377-5888**.
- Sharpening shops do exist but make sure they can handle this unit. **IT IS NOT** a commercial unit and major differences in sharpening do exist.

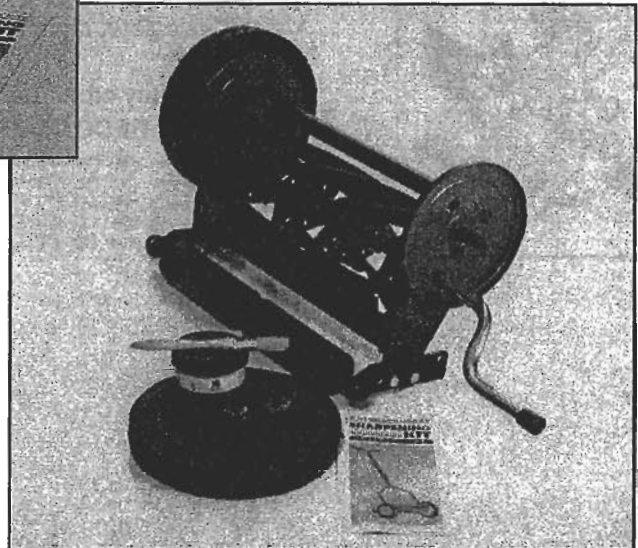
## PUSH REEL LAWN MOWER



# SHARPENING KIT

THIS NEW INNOVATION WAS EXCLUSIVELY DESIGNED TO ALLOW DO-IT-YOURSELFERS TO SHARPEN THEIR MOWERS AT HOME.

A METHOD SIMILAR TO THE SHARPENING PROCESS USED BY MANY GOLF COURSE PROFESSIONALS TO MAINTAIN SHARP CUTTING EDGES ON GANG REEL MOWERS IS NOW AVAILABLE FOR HOME USAGE. EASY TO READ AND UNDERSTAND INSTRUCTIONS SHOW YOU STEP-BY-STEP THIS UNIQUE BACK-LAPPING PROCEDURE.



### KIT CONTAINS

- DETAILED INSTRUCTION MANUAL
- GRINDING COMPOUND
- APPLICATION BRUSH
- SPECIAL BACK-LAPPING CRANK

THE KIT CAN BE USED ON ANY YEAR OR MODEL OF AMERICAN/GREAT STATES MOWERS. CHECK WITH YOUR FAVORITE RETAILERS FOR AVAILABILITY. FOR MORE INFORMATION, OR ASSISTANCE:  
CALL 1-800-377-5888

OR  
CONTACT

AMERICAN LAWN MOWER COMPANY  
GREAT STATES CORPORATION  
P.O. BOX 369, SHELBYVILLE, IN 46176

## CHANGES IN CUTTING HEIGHT

Your unit has been preset at the factory for optimum mowing performance.

It is possible to reduce cutting height by moving the roller bracket mounting the lower hole in the roller bracket.

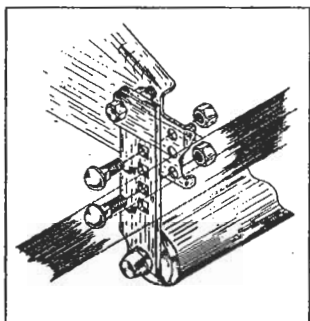
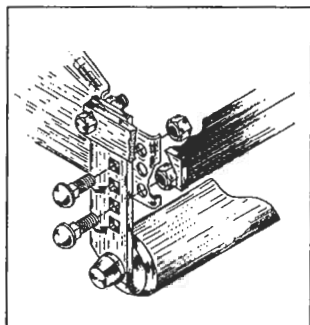
To reduce height you must remove all the bolts and nuts holding the roller bracket to the mower.

Reposition the top roller bracket bolts into the 2nd hole and the other bolt to the bottom hole of the roller bracket.

Replace roller bracket nuts and tighten.

Reposition mower between attachment bracket of hitch (being careful not to lose brass bushings) and replace carriage bolts through bottom holes of sideplate; attach nuts and tighten.

For any other reduction of cutting height call our toll free number. **WE DO NOT RECOMMEND ANY OTHER LOWER CUTTING HEIGHTS.**



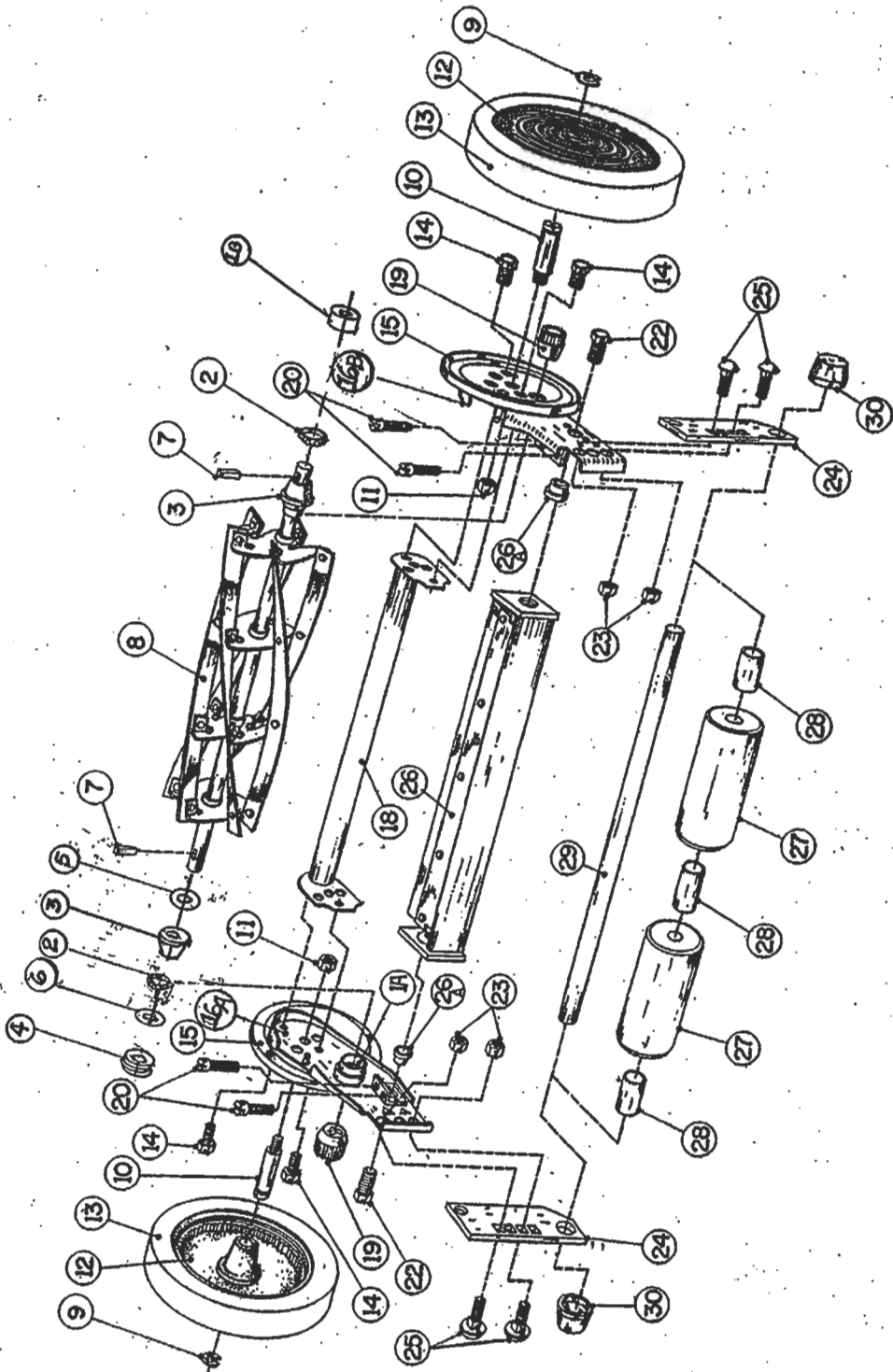


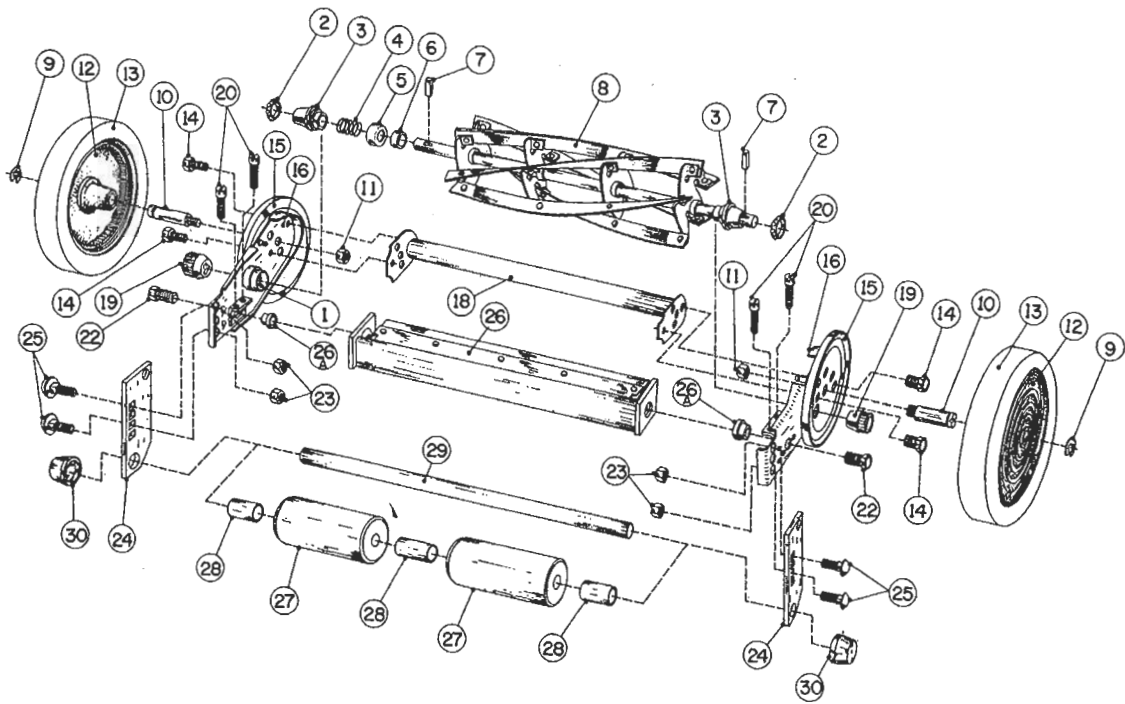
Please Use The Numbers On This Sheet When Ordering Any Replacement Parts.

Key#	Description	Part#	Key#	Description	Part#
1A.	Ball Cup, Deep	31203	16B.	Right Hand Side Plate	10326-26
1B.	Ball Cup	30122	18.	Torsion Bar	10493
2.	Ball Bearing	30137	19.	Pinion Gear	31053
3.	Bearing Cone	31199	20.	Adjusting Screw	30300-1
4.	Spring	31202	22.	Cutter Bar Bolt 3/8"	31039
5.	Cone Washer	31200	23.	Hex Nut 5/16	31043
6.	Bearing Washer	31201	24.	Roller Bracket	31165
7.	Ratchet Pawl	31041	25.	Carriage Bolt	30119-5
8.	Reel Assembly (Includes Nos. 2-6)	10507-1	26.	Cutter Bar Assembly	10305-2
9.	Snap Axle Ring	30317-1	26A.	Cutter Bar Stud	30519
10.	Axle	30337	27.	Roller Section	31116
11.	3/8 Hex Nut	30733	28.	Spacer	30071-7
12.	Wheel Assembly	10485	29.	Roller Tube	31166
13.	Tire	30243	30.	Retaining Cap	31167
14.	Hex Head Bolt	30660			
15.	Cover Plate	30394-4		Complete Roller Assembly	10016-22
16A.	Left Side Plate	10508-3		Items 24, 27, 28, 29 & 30	
				Handle Assembly Hardware	10499

See Corresponding parts diagram on back.

For assistance please call: 1-800-377-5888





### MOWER HEAD PART NO. LISTING / ORDERING INSTRUCTIONS

KEY #	DESCRIPTION	PART NO.	KEY #	DESCRIPTION	PART NO.
1	Ball Cup	30122	16A	Right Side Plate	10326-26
2	Ball Bearing	30137	18	Torsion Bar	10493
3	Bearing Cone	30004	19	Pinion Gear	31053
4	Spring, Reel Adjustment	30309	20	Adj. Screw	30300-1
5	Dust Cap	30308	22	Cutter Bar Bolt 3/8	31039
6	Spacer	30307	23	Hex Nut	31043
7	Ratchet Pawl	31041	24	Roller Bracket	31165
8	Reel Assy. (Includes No. 2-6)	10176	25	Carriage Bolt 5/16	30119-5
9	Snap Ring/Axle	30317-1	26	Cutter Bar	10305-2
10	Axle	30337	26A	Cutter Bar Stud	30519
11	3/8 Hex Nut	30733	27	Roller Section	31116
12	Wheel Assy.	10485	28	Spacer	30071-7
13	Tire	30243	29	Roller Tube	31166
14	Hex Head Bolt	30660	30	Retaining Cap	31167
15	Cover Plate	30394-4		(Complete Roller Assy	10016-22
16	Left Side Plate	10326-27		Items 24, 27, 28, 29 & 30)	

#### HOW TO ORDER PARTS

- Specify the following information when ordering parts.
  - Model number.
  - Needed for mower or hitch or both.
  - Part number from diagram and or list.
- If you are unsure as to the part you need, you can be sure by mailing the broken parts prepaid to the factory along with your order. **BE SURE YOU ENCLOSE YOUR NAME, ADDRESS, AND TELEPHONE NUMBER.**

**ALL PARTS ARE SOLD FACTORY DIRECT. MINIMUM CHARGE FOR ANY ORDER IS \$2.00 EXCLUDING SHIPPING. ALL SHIPPING CHARGES ARE THE RESPONSIBILITY OF THE PURCHASER.**

IF YOU ARE IN DOUBT CALL US; WE WILL BE HAPPY TO ASSIST YOU. 1-800-377-5888

## MOWING HINTS

1. THIS IS A FINISH CUT MOWER ONLY. IT IS NOT INTENDED FOR WEEDS OR LARGE AMOUNTS OF UNDERGROWTH.  
A.) IT WILL HAVE PROBLEMS WITH TALL WILLOWY WEEDS AND GRASSES SUCH AS BUCKHORN AND DANDELIONS.
2. FOR BEST RESULTS DO NOT ALLOW GRASS TO GROW MORE THAN 3-4" TALL BEFORE MOWING.  
A.) TALLER GRASS MAY REQUIRE MULTIPLE MOWINGS TO GET DESIRED EFFECTS.
3. CHANGE YOUR MOWING PATTERNS EACH TIME. CROSS MOWING RESULTS IN A MORE EVEN CUT.
4. MAKE SURE YOU CHECK YOUR ADJUSTING SCREWS AFTER SEVERAL MOWINGS TO MAKE SURE OPTIMUM ADJUSTMENT IS MAINTAINED.
5. ALWAYS STORE IN A DRY PLACE. DO NOT STORE YOUR UNIT OUTSIDE IN AN UNCOVERED AREA.  
A.) REGULAR USE OF WD-40 ON REEL CUTTER BAR WILL PREVENT RUSTING OF THE BLADES.
6. YOUR UNIT MAY NEED TO BE BACKLAPPED (MINOR SHARPENING) ONCE PER SEASON. (CHECK OWNER'S MANUAL).
7. NEVER TRAVEL WITH FOLDING WINGS IN RAISED POSITION. IT MAY CAUSE DAMAGE TO YOUR UNIT AND IS NOT COVERED UNDER YOUR WARRANTY.
8. **DO NOT MOW AT HIGH SPEEDS**. POOR MOWING AND DAMAGE TO YOUR UNIT COULD OCCUR.
9. IF YOU HAVE QUESTIONS OR PROBLEMS CALL US; WE WILL BE HAPPY TO ASSIST YOU. **1-800-377-5888**

## CUSTOMER RESPONSIBILITIES

### SAFETY

- READ AND FAMILIARIZE YOURSELF WITH ALL INSTRUCTIONS AND USAGE HINTS IN THIS MANUAL.
- INSPECT YOUR MOWING AREA FOR ANY DEBRIS OR OBJECTS THAT COULD CAUSE PROBLEMS AND REMOVE PRIOR TO MOWING.
- MAKE SURE YOUR MOWER IS IN SAFE OPERATING CONDITION. DON'T ATTEMPT TO OPERATE IF YOU HAVE ANY DAMAGE; REPAIR IT FIRST.
- TRAVEL AT A SAFE SPEED. EXCESSIVE SPEED IS UNSAFE AND CAN CAUSE DAMAGE TO THE UNIT.
- DON'T MOW NEAR SMALL CHILDREN OR OTHER PEOPLE.
- PERIODICALLY INSPECT YOUR UNIT FOR DAMAGE AND MAKE SURE ALL NUTS AND BOLTS ARE TIGHT.
- ALWAYS EXERCISE CARE WHEN OPERATING YOUR MOWER. AVOID STRIKING OR RUNNING INTO OR OVER SOLID OBJECTS AND DEBRIS.

### CARE

- KEEP YOUR MOWER CLEAN AND REGULARLY LUBRICATE BLADES WITH WD-40 OR SIMILAR LUBRICANT.
- **DO NOT STORE OUTSIDE OR USE IN THE RAIN** AS RUSTING CAN DEVELOP.
- CHECK ALL BOLTS AND NUTS TO BE SURE THEY ARE PROPERLY SECURED.
- STORE IN A CLEAN DRY AREA.
- **DO NOT** TRAVEL WITH THE WINGS RAISED UP. DAMAGE TO THE FRAME OR MOWER HEADS CAN RESULT. FOLLOW THE ASSEMBLY INSTRUCTIONS.

IF YOU HAVE QUESTIONS OR PROBLEMS CALL US – NOT YOUR RETAILER AT **1-800-377-5888**.

# WARRANTY POLICY

## WARRANTY REGISTRATION

THIS PRODUCT IS COVERED BY A LIMITED WARRANTY THAT REQUIRES REGISTRATION TO VALIDATE. SIMPLY COMPLETE THE ENCLOSED REGISTRATION CARD AND RETURN IT ALONG WITH A DATED PROOF OF PURCHASE (SALES RECEIPT) TO:

GANG MOWER  
P.O. BOX 369  
SHELBYVILLE, IN 46176

UPON RECEIPT YOUR WARRANTY WILL BE REGISTERED AND KEPT ON FILE DURING THE WARRANTY PERIOD FOR YOUR PROTECTION AND CONVENIENCE.

## IMPORTANT

FAILURE TO RETURN WARRANTY REGISTRATION CARD WILL VOID ALL EXPRESSED COVERAGE (IF YOU DID NOT RECEIVE A WARRANTY CARD, CONTACT US IMMEDIATELY AT 1-800-377-5888 AND WE WILL FORWARD ONE TO YOU.)

## RESIDENTIAL REGISTRATION

**MOWER HEADS: ONE (1) YEAR LIMITED WARRANTY.**

FOR ONE YEAR FROM DATE OF PURCHASE (WARRANTY REGISTRATION REQUIRED) WE WILL REPLACE FREE OF CHARGE, TO THE ORIGINAL BUYER, ANY PARTS FOUND TO BE DEFECTIVE IN MATERIALS OR WORKMANSHIP, UPON EXAMINATION BY OUR FACTORY OR FACTORY AUTHORIZED SERVICE AGENT. PARTS SENT TO THE FACTORY FOR EXAMINATION/REPLACEMENT MUST BE SHIPPED PREPAID BY THE BUYER.

## HITCH ASSEMBLY: TWO (2) YEAR LIMITED WARRANTY

FOR TWO YEARS FROM DATE OF PURCHASE (WARRANTY REGISTRATION REQUIRED) WE WILL REPLACE FREE OF CHARGE, TO THE ORIGINAL BUYER, ANY PARTS FOUND TO BE DEFECTIVE IN MATERIALS OR WORKMANSHIP, UPON EXAMINATION BY OUR FACTORY OR FACTORY AUTHORIZED SERVICE AGENT. PARTS SENT TO THE FACTORY FOR EXAMINATION/REPLACEMENT MUST BE SHIPPED PREPAID BY THE BUYER.

## NON-RESIDENTIAL WARRANTY

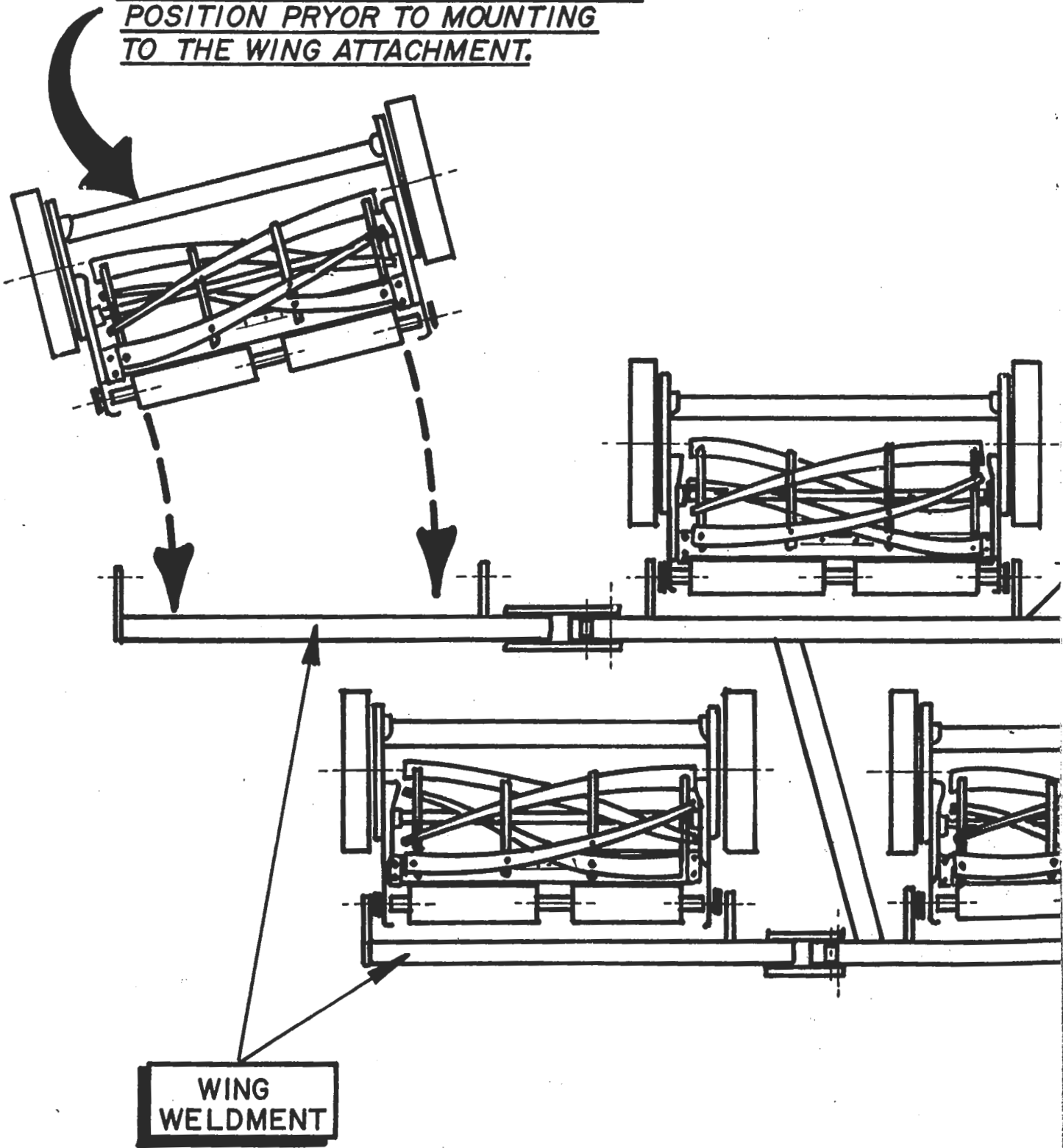
WARRANTY COVERS PRODUCT FOR NON-RESIDENTIAL APPLICATIONS WHICH DO NOT EXCEED A TOTAL MOWING AREA OF FIVE ACRES.

## MOWER HEADS AND HITCH ASSEMBLY: 30 DAY LIMITED WARRANTY

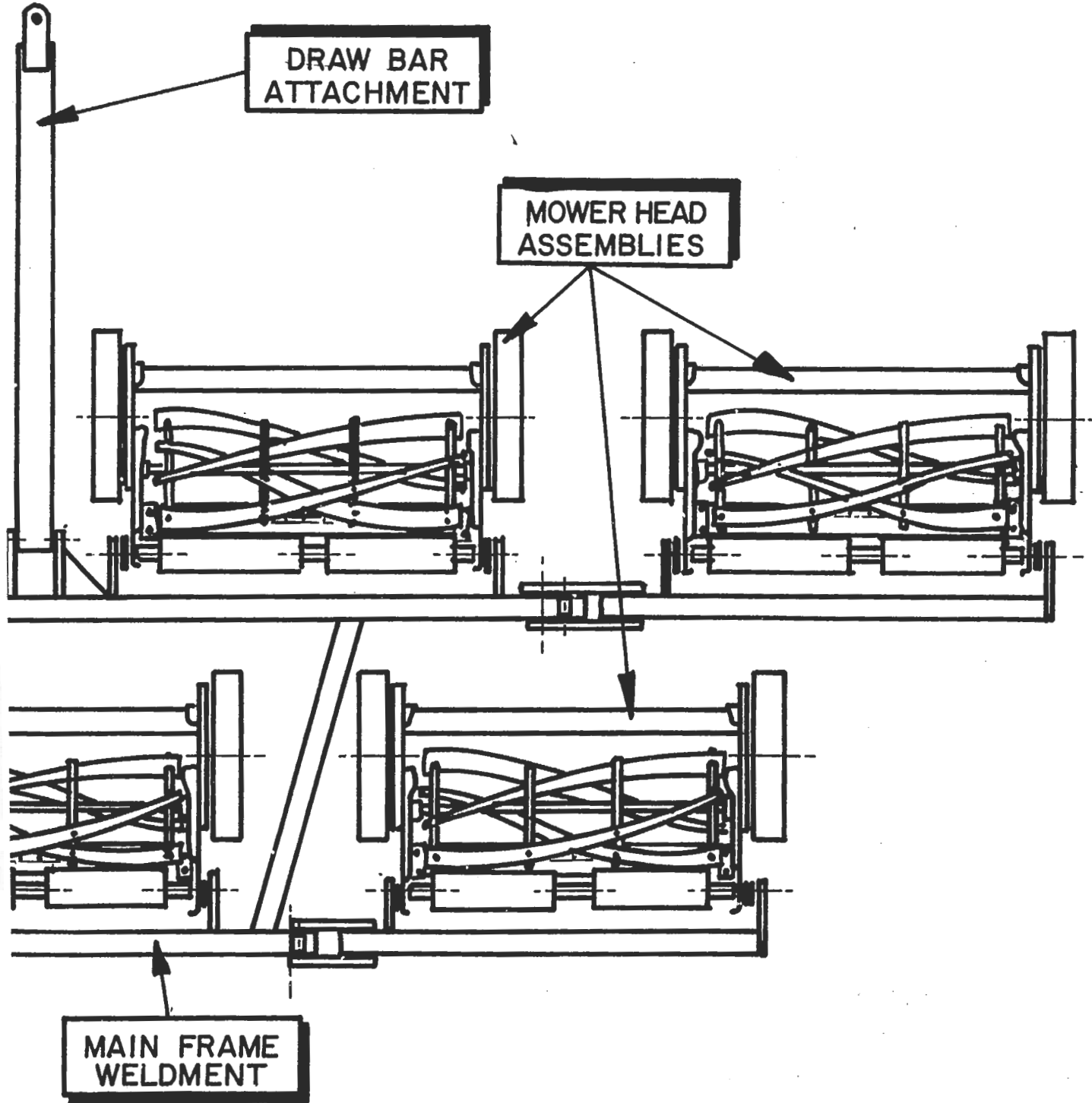
FOR 30 DAYS FROM DATE OF PURCHASE (WARRANTY REGISTRATION REQUIRED.) WE WILL REPLACE FREE OF CHARGE, TO THE ORIGINAL BUYER, ANY PARTS FOUND TO BE DEFECTIVE IN MATERIALS OR WORKMANSHIP, UPON EXAMINATION BY OUR FACTORY OR FACTORY AUTHORIZED SERVICE AGENT. PARTS SENT TO THE FACTORY FOR EXAMINATION/REPLACEMENT MUST BE SHIPPED PREPAID BY THE BUYER.

THERE IS NO OTHER EXPRESSED WARRANTY. ALL IMPLIED WARRANTIES, INCLUDING THOSE OF MERCHANTABILITY AND FITNESS FOR A PARTICULAR PURPOSE, ARE LIMITED TO THE TIME PERIODS DESCRIBED IN THE WARRANTY DESCRIPTIONS AND TO THE EXTENT PERMITTED BY LAW, ANY AND ALL IMPLIED WARRANTIES ARE EXCLUDED. THIS IS THE EXCLUSIVE REMEDY AND LIABILITY FOR CONSEQUENTIAL DAMAGES UNDER ANY AND ALL WARRANTIES.

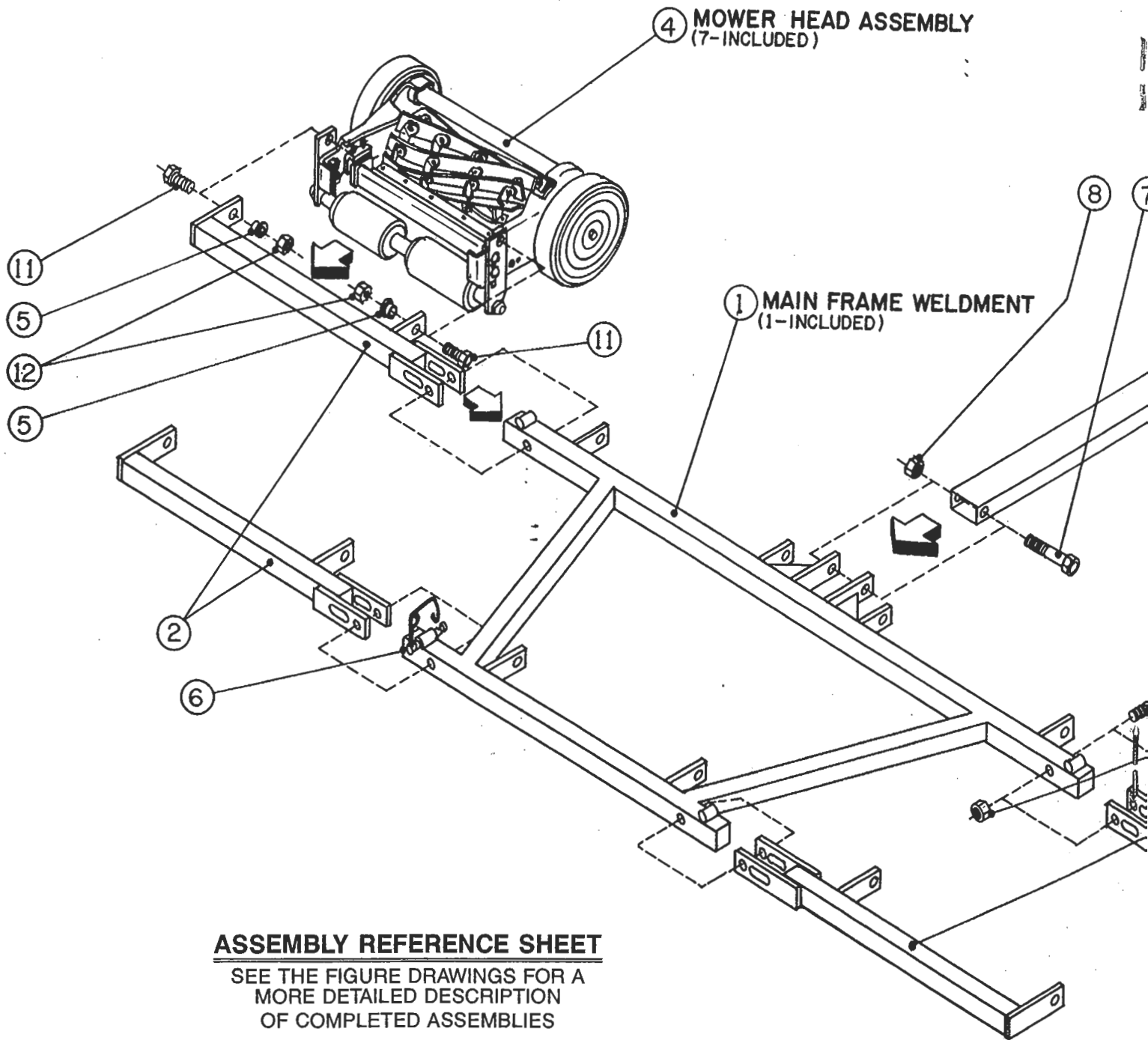
NOTE:  
THIS MOWER HEAD SHOWN IN THE  
POSITION PRYOR TO MOUNTING  
TO THE WING ATTACHMENT.



REMOVE FOR REFERENCE

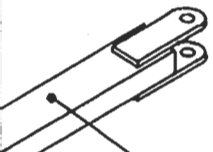


# ASSEMBLY REFERENCE SHEET

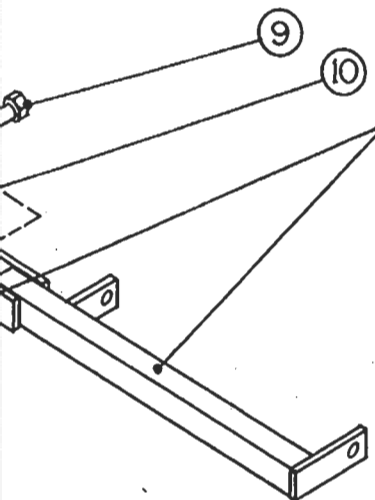




KEY NO.	PART NAME & DESCRIPTION	QTY.
①	MAIN FRAME WELDMENT #31169	1
②	WING WELDMENT #31170	4
③	DRAWBAR #31171	1
④	MOWER HEAD ASSEMBLY 1704-16 PC II	7
⑤	BRONZE OIL-LITE BUSHING, 31130 SEE ASSEMBLY INSTRUCTIONS FOR PROPER LOCATIONS.	14
⑥	HITCH PIN, 31175 USED WHEN MOWER UNIT IS IN A STORAGE FACILITY, DO NOT USE WHEN MOWING. <i>(SEE OTHER CAUTIONS IN THIS MANUAL)</i>	5
⑦ ⑧	BOLT & NUT, 3/8" X 4" GRADE-2 BOLT, 31176-1 w/3/8" NYLOK-NUT 31177	1 ea.
⑨ ⑩	BOLT & NUT, 3/8" X 3" GRADE-2 BOLT, 31176 w/3/8" NYLOK-NUT 31177	4 ea.
⑪ ⑫	BOLT & NUT, 5/16" X 1 1/4" BOLT, 31178 w/5/16" NYLOK NUT 31043	14 ea.



③ DRAW BAR ATTACHMENT  
(1-INCLUDED)



② WING ATTACHMENT  
(4-INC)

## **GANG MOWER DISCLAIMER**

### **TRANSMISSIONS:**

#### **IMPORTANT NOTICE:**

Due to the vast variety of transmissions and trans-axle combinations, we recommend that you thoroughly check the owners manual or consult the original manufacturer of your lawn tractor to ensure its capabilities for pulling this type of gang mower system.

### **MOWING SPEED:**

We have established that excessive ground speed when pulling this gang reel system can dramatically affect its cutting performance. We recommend a mowing speed of less than four (4) miles per hour. Actual ground contour and variety of grasses and mowing conditions of both may dictate the optimum mowing speed.

**REMEMBER TO SEND  
IN YOUR WARRANTY CARD**

**WARRANTY REGISTRATION**

Please complete and mail with proof of purchase (sales receipt)

to: **GANG MOWER**  
PO Box 369  
Shelbyville, IN 46176

Customer's Name: \_\_\_\_\_  
Address: \_\_\_\_\_  
City, State, Zip Code: \_\_\_\_\_  
Phone Number: \_\_\_\_\_  
Date of purchase: \_\_\_\_\_  
Name of Store: \_\_\_\_\_  
Address: \_\_\_\_\_  
City, State, Zip Code: \_\_\_\_\_  
Model Purchased: \_\_\_\_\_