



Precision Edge

Owner/Operator Manual

Manuel Du Propriétaire/Utilisateur



Model
986101 – Edger



(GB) ENGLISH

(F) FRANÇAIS

03818800B 2/09
Printed in USA

TABLE OF CONTENTS

SAFETY	4	STORAGE	15
ASSEMBLY.....	7	TROUBLESHOOTING	16
CONTROLS AND FEATURES.....	8	SERVICE PARTS	16
OPERATION	9	SPECIFICATIONS	17
MAINTENANCE SCHEDULE.....	13	WARRANTY	18
SERVICE AND ADJUSTMENTS	14		

INTRODUCTION

NON-ENGLISH MANUALS



Manuals in languages other than English may be obtained from your Dealer. Visit your dealer or www.ariens.com for a list of languages available for your equipment.

Manuals printed in languages other than English are also available as a free download on our website:

<http://www.ariens.com>

MANUALES EN IDIOMAS DIFERENTES DEL INGLÉS



Puede obtener manuales en idiomas diferentes del inglés en su distribuidor. Visite a su distribuidor o vaya a www.ariens.com para obtener una lista de idiomas disponibles para su equipo.

También puede imprimir manuales en idiomas diferentes del inglés descargándolos gratuitamente de nuestra página Web:

<http://www.ariens.com>

MANUELS NON ANGLAIS



Des manuels dans différentes langues sont disponibles chez votre revendeur. Rendez-vous chez votre revendeur ou allez sur le site www.ariens.com pour consulter la liste des langues disponibles pour votre équipement.

Les manuels imprimés dans des langues différentes de l'anglais sont également disponibles en téléchargement gratuit sur notre site Web :

<http://www.ariens.com>

THE MANUAL

Before operation of unit, carefully and completely read your manuals. The contents will provide you with an understanding of safety instructions and controls during normal operation and maintenance.

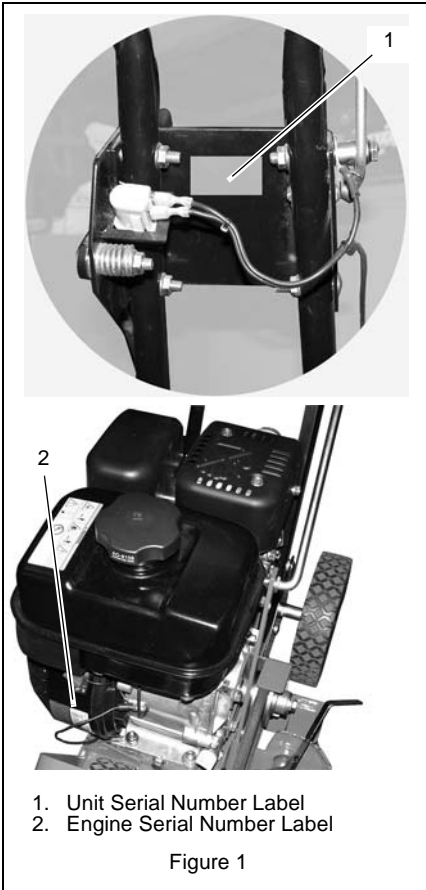
All reference to left, right, front, or rear are given from operator seated in operation position and facing the direction of forward travel.

MODEL AND SERIAL NUMBERS

When ordering replacement parts or making service inquiries, know the Model and Serial numbers of your unit and engine.

Numbers are located on the product registration form in the unit literature package.

They are printed on a serial number label, located on the frame of your unit (figure 1).



- Record Unit Model and Serial numbers here.

- Record Engine Model and Serial numbers here.

PRODUCT REGISTRATION

The Ariens dealer must register the product at the time of purchase. Registering the product will help the company process warranty claims or contact you with the latest service information. All claims meeting requirements during the limited warranty period will be honored, whether or not the product registration card is returned. Keep a proof of purchase if you do not register your unit.

Customer Note: If the dealer does not register your product, please fill out, sign, and return the product registration card to Ariens.

UNAUTHORIZED REPLACEMENT PARTS

Use only Ariens replacement parts. The replacement of any part on this unit with anything other than an Ariens authorized replacement part may adversely affect the performance, durability, and safety of this unit and may void the warranty. Ariens disclaims liability for any claims or damages, whether warranty, property damage, personal injury or death arising out of the use of unauthorized replacement parts. To locate your nearest Ariens Dealer, go to www.ariens.com on the internet.

DELIVERY

Customer Note: If you have purchased this product without complete assembly and instruction by your retailer, it is your responsibility to:

- Read and understand all assembly instructions in this manual. If you do not understand or have difficulty following the instructions, contact your nearest Ariens Dealer for assistance. To locate your nearest Ariens Dealer, go to www.ariens.com on the internet.



WARNING: Improper assembly or adjustments can cause serious injury.

Before Attempting To Operate Your Unit:

1. Make sure all assembly has been properly completed.
2. Understand all Safety Precautions provided in the manuals.
3. Review control functions and operation of the unit. Do not operate the unit unless all controls function as described in this manual.
4. Review recommended lubrication, maintenance and adjustments.
5. Review Limited Warranty Policy.

6. Fill out a product registration card and return the card to the Ariens Company or go to www.ariens.com.

DISCLAIMER

Ariens reserves the right to discontinue, change, and improve its products at any time without notice or obligation to the purchaser.

The descriptions and specifications contained in this manual were in effect at printing.

Equipment described within this manual may be optional. Some illustrations may not be applicable to your unit.

SAFETY

SAFETY ALERTS



WARNING: This cutting machine is capable of amputating hands and feet and throwing objects. Failure to observe the safety instructions in the manuals and on decals could result in serious injury or death.

Slopes are a major factor related to loss-of-control and tip-over accidents. Operation on all slopes requires extra caution.

Tragic accidents can occur if the operator is not alert to the presence of children. Never assume that children will remain where you last saw them.

Gasoline is extremely flammable and the vapors are explosive, handle with care.

Disengage attachment, stop unit and engine, remove key, engage parking brake, and allow moving parts to stop before leaving operator's position.



Look for these symbols to point out important safety precautions. They mean:



- Attention!
- Personal Safety Is Involved!
- Become Alert!
- Obey The Message!

The safety alert symbol is used in decals and with this manual. Understand the safety message. It contains important information about personal safety.



DANGER: IMMINENTLY HAZARDOUS SITUATION! If not avoided, **WILL RESULT** in death or serious injury.



WARNING: POTENTIALLY HAZARDOUS SITUATION! If not avoided, **COULD RESULT** in death or serious injury.



CAUTION: POTENTIALLY HAZARDOUS SITUATION! If not avoided, **MAY RESULT** in minor or moderate injury. It may also be used to alert against unsafe practices.

NOTATIONS

NOTE: General reference information for proper operation and maintenance practices.

IMPORTANT: Specific procedures or information required to prevent damage to unit or attachment.

SAFETY DECALS AND LOCATIONS

ALWAYS replace missing or damaged Safety Decals. Refer to figure 2 for Safety Decal locations.



Figure 2

1. Danger!



AVOID INJURY. Stay clear of rotating parts.

2. Danger!



Read owner/operator's manual.



Always wear eye and hearing protection.



Keep children and others away from unit while operating.



Never direct discharge toward other people. Thrown objects can cause injury.



Always keep hands away from rotating parts.



Always keep feet away from rotating parts.

Emission Control System Certification Label

Tampering with emission controls and components by unauthorized personnel may result in severe fines or penalties. Emission controls and components can only be adjusted by EPA and/or CARB authorized service centers. Contact your Ariens Equipment Retailer concerning emission controls and component questions.

SAFETY RULES

Training

Read the instructions carefully. Be familiar with the controls and the proper use of the equipment.

Never allow children or people unfamiliar with these instructions to use the edger. Local regulations may restrict the age of the operator.

Never edge while people, especially children, or pets are nearby.

Keep in mind that the operator or user is responsible for accidents or hazards occurring to other people or their property.

Preparation

While edging, always wear eye and ear protection, substantial foot wear, and long trousers.

Thoroughly inspect the surface where the equipment is to be used and remove all stones, sticks, wires, bones and other foreign objects.



WARNING: Fuel is highly flammable. Take the following precautions:

1. Store fuel in containers specifically designed for this purpose.
2. Refuel outdoors only and do not smoke while refuelling.
3. Add fuel before starting the engine. Never remove the cap of the fuel tank or add petrol while the engine is running or when the engine is hot.
4. Avoid spillage: if petrol is spilled, do not attempt to start the engine but move the machine away from the area of spillage and avoid creating any source of ignition until petrol vapors have dissipated.
5. Tighten all fuel tank and container caps securely.

Replace faulty silencers.

Before using, always visually inspect to see that the blades, blade bolts and cutter assembly are not worn or damaged. Replace worn or damaged blades and bolts in sets to preserve balance.

Use only manufacturer-recommended replacement parts and accessories.

Operation

Do not operate the engine in a confined space where dangerous carbon monoxide fumes can collect. Breathing exhaust fumes can be fatal.

Edge only in daylight or in good artificial light.

Always be sure of your footing on slopes.

Walk, never run.

Use extreme caution when reversing or pulling the edger toward you.

Make sure the blade has stopped before crossing surfaces other than grass and when transporting the edger to and from the area to be edged.

Never operate the edger with defective, missing or incorrectly fitted guards.

Do not change the engine governor settings or overspeed the engine.

Start the engine or switch on the motor carefully according to instructions and with feet well away from the blade(s).

Do not tilt when starting the engine or switching on the motor, unless the edger has to be tilted for starting. In this case, do not tilt it more than absolutely necessary and lift only the part which is away from the operator.

Do not start the engine when a bystander is standing in front of the blade(s).

Do not put hands or feet near or under rotating parts.

Always switch off the electric motor and disconnect from main or stop the fuel powered engine:

- before clearing blockages;
- before checking, cleaning or working on the blade(s);
- after striking a foreign object: inspect the blade(s) for damage and make repairs before restarting and operating the edger;
- if edger starts to vibrate abnormally (check immediately).

Stop the engine:

- whenever you leave the edger;
- before refuelling.

Reduce the throttle setting during engine run-out and, if the engine is provided with a shut-off valve, turn the fuel off at the conclusion of edging.

Maintenance and storage

- a. Keep all nuts, bolts and screws tight to be sure the equipment is in safe working conditions.
- b. Never store the equipment with petrol in the tank inside a building where fumes may reach an open flame or spark.
- c. Allow the engine to cool before storing in any enclosure.
- d. To reduce the fire hazard, keep the engine, silencer, battery compartment, and petrol storage area free of grass, leaves or excessive grease.
- e. Replace worn or damaged parts.
- f. If the fuel tank has to be drained, do this outdoors.
- g. Do not attempt to repair the machine unless you are competent to do so.
- h. Use only manufacturer-recommended replacement parts and accessories.

ASSEMBLY



WARNING: AVOID INJURY.
Read and understand the entire *Safety* section before proceeding.

Tools Required

- 1/2" Wrench
- Needle Nose Pliers

Unpack Unit

Remove unit and all other components from the shipping container. Push unit from container onto a level surface.

Assemble Handlebars

1. Rotate handlebars into the operating position and secure with the bolts and lock nuts.
2. Connect the depth control rod to the cutting height lever and to the cutting depth adjuster with two hairpins.



Figure 3

Check Engine Oil

1. Fill engine crankcase with oil. See engine manual.

Check Engine Fuel

1. Fill fuel tank. See *Check Engine Fuel* on page 7.

Check Safety Interlock System



WARNING: Safety interlock failure and improper operation of unit can result in death or serious injury. Check system before each use to make sure it is functioning properly.

See *Operator Presence Control* on page 9.

CONTROLS AND FEATURES

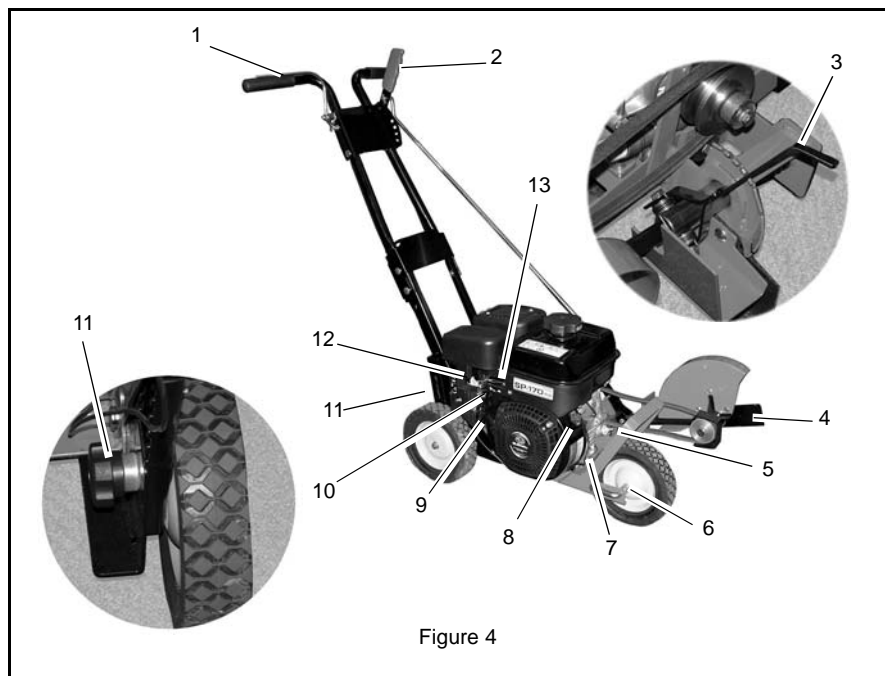


Figure 4

- | | |
|------------------------------|--------------------------------|
| 1. Operator Presence Control | 8. Engine Shut Off Switch |
| 2. Cutting Depth Adjuster | 9. Recoil Starter |
| 3. Cutting Angle Adjuster | 10. Fuel Shut Off |
| 4. Blade | 11. Rear Wheel Height Adjuster |
| 5. Oil Fill/Dipstick | 12. Choke |
| 6. Front Wheel Adjuster | 13. Throttle |
| 7. Oil Drain Plug | |

OPERATION



WARNING: AVOID INJURY.
Read and understand the entire Safety section before proceeding.

CONTROLS AND FEATURES

See figure 4 for all controls and features locations.

Operator Presence Control



WARNING: Safety interlock failure and improper operation of unit can result in death or serious injury. Check system before each use to make sure it is functioning properly.

Perform the following tests to ensure the safety interlock system is working properly. If the unit does not perform as stated contact your Ariens dealer for repairs.

Engine must not start with the cutting depth adjuster out of the neutral position.

With the engine running and the blade engaged, the engine must shut off when the operator presence control lever is released.
To Test:

With the engine off, set the depth adjuster for a shallow cut. Try to start the engine without holding the operator presence control against the handlebar. The engine must not start.

With the engine running, and the blades engaged, release the operator presence control. Engine must shut off.

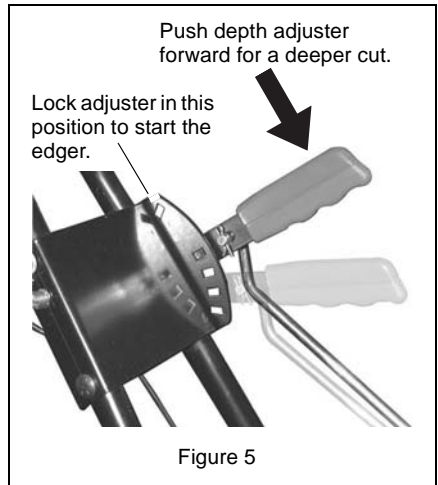
Cutting Depth Adjuster

Controls how deeply the blade cuts into grass.

1. Pull the lever slightly to disengage the lock pin from the bracket and then pull the lever back to raise the cutting head and cut a shallower groove.
2. Pull the lever slightly to disengage the lock pin from the bracket and then push the lever forward to lower the head and cut more deeply.

IMPORTANT: The depth adjuster also engages and disengages the blade. It must be in the neutral position to start the engine.

NOTE: Pull the lever all the way back to raise the blades entirely when starting the unit, traveling between work areas, transporting the unit, for storage or for maintenance.



Cutting Angle Adjuster

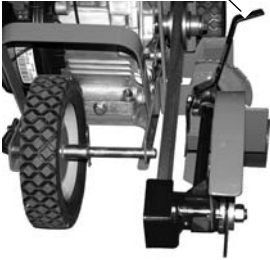
Controls the cutting angle of the blade for decorative edging.

1. Push the lever forward to unlock the head and then rotate it left or right to set the desired edging angle.

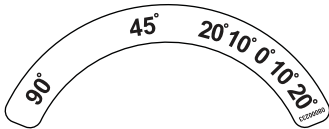
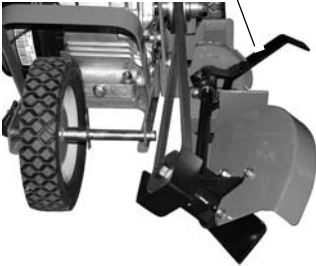
NOTE: The head pivots from about 70 degrees to 180 degrees.

IMPORTANT: Make sure the front wheel does not contact the blade when angling the blade for a beveled edge.

Push the lever forward slightly to unlock the head.



Rotate the head to the desired angle. Make sure the lever locks into place.



The head pivots from about 70 degrees to 180 degrees.

Figure 6

Rear Wheel Height Adjuster

Sets the rear wheel height to support the edger when working along curbs or other uneven terrain.

1. Loosen the knob and position the wheel so it supports the unit level when operating, and then securely tighten the knob.

NOTE: Set the wheel height before starting the engine or engaging the blades.

Loosen knob, position wheel at the desired height and replace the knob.



Figure 7

Front Wheel Adjuster

Positions the front wheel on the axle to balance the unit when working along curbs or other uneven terrain.

NOTE: Make sure the front wheel rolls on the work surface.

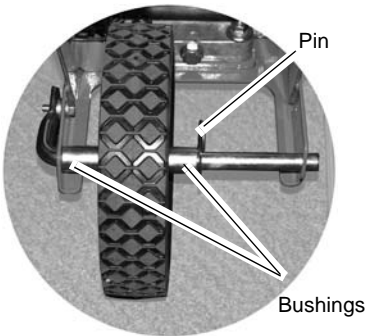
IMPORTANT: Make sure the cutting blade will not contact wheel before starting the engine.

1. With the engine shut off, remove the pin from the axle and position the front wheel on the right or left side of the axle as needed, and secure in position with the hair pin.

Position the wheel away from the blade when bevel cutting or trimming.

Position the wheel nearer the blade for edging.

Position wheel away from the blade for bevel cutting or trimming.



Position wheel nearer the blade for edging.

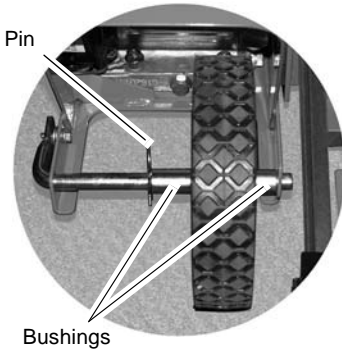


Figure 8

Engine Controls

Throttle

Throttle controls engine speed.

1. Set the throttle to slow (turtle) to start the unit and when traveling between work areas.
2. Set the throttle to fast (rabbit) when edging.

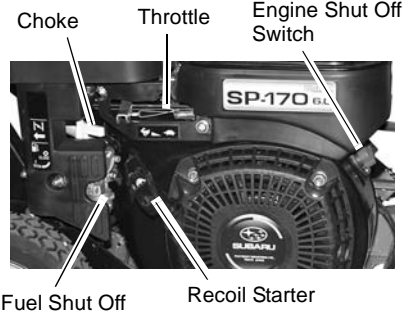


Figure 9

Choke

Controls the air-fuel mixture in the carburetor.



1. Close the choke when starting a cold engine.
2. Once the engine starts and begins to warm, open the choke for operation.

NOTE: Do not choke a warm engine.

Fuel Shut Off

1. Push the lever down to close the fuel shut off valve for transporting, servicing or storing the unit.
2. Pull the lever up to open the fuel shut off valve for operating the unit.

Engine Shut Off Switch

1. Set the engine shut off switch to the On position to start and operate the engine.
2. Set the engine shut off switch to the Off position to shut off a running engine.

Recoil Starter

Start the engine with the recoil starter.

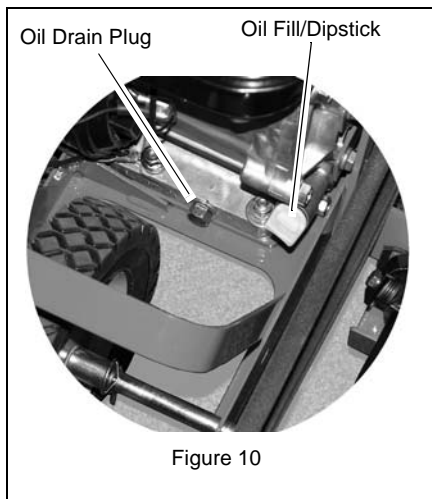
Oil Fill/Dipstick

Check the engine oil level (Figure 10).

Oil Drain Plug

Oil drain plug provides a convenient location to drain oil.

1. Place a pan under the opening in the unit frame, remove the plug, remove the oil fill cap/dipstick and allow the oil to drain completely.
2. Replace the plug and then fill engine with appropriate engine oil for your conditions. See Engine Manual for types of oil and operating ranges. Do not overfill.



FILLING FUEL TANK



WARNING: AVOID INJURY.
Read and understand the entire *Safety* section before proceeding.

1. Clean fuel cap and surrounding area to prevent dust, dirt, and debris from entering fuel tanks.
2. Remove fuel cap.

IMPORTANT: See Engine Manual for correct type and grade of fuel.

3. Fill fuel tank to 1-1/2 in. (3.5 cm) below bottom of filler neck. See *SPECIFICATIONS* on page 17 for capacity of fuel tank.
4. Replace fuel cap.

STOPPING IN AN EMERGENCY

1. Release the operator presence control lever.
2. Wait for all moving parts to stop before leaving the operator's position.

STARTING AND SHUTTING OFF ENGINE

Shutting Off the Engine

1. Stop unit.
2. Disengage blade.
3. Release the operator presence control.
4. Wait for all moving parts to stop before leaving the operator's position.
5. Turn off engine shut off switch.
6. Close the fuel shut off valve.

Starting the Engine



WARNING: AVOID INJURY.

If the cutting head is engaged, the blade will rotate when engine cranks or starts.

Always make sure the cutting head is disengaged before attempting to start the unit.

IMPORTANT: Let the engine warm up several seconds to several minutes depending on outside temperature.

1. Make sure the cutting head is disengaged.
2. Turn on the engine shut off switch.
3. Open the fuel shut off valve.
4. Set the choke to the closed position and the throttle to the fast position.
5. Slowly pull the recoil starter until engine compression makes pulling difficult. Let the starter rewind a little, and then pull smoothly and quickly to start the engine. Repeat as needed.
6. Close the choke when the engine starts and set the throttle to full fast before operating the unit.

OPERATING EDGER

1. Set the rear wheel to the appropriate height and the front wheel to appropriate location on the axle for the job.
2. Set the blade angle required for the job.
3. Start the engine with the cutting head in the disengaged (fully raised) position.
4. Slowly lower the cutting head into the turf and lock it in the desired depth.
5. Walk forward slowly and follow the desired cutting path.
6. Raise the cutting head all the way up at the end of the path.
7. Stop engine and wait for all moving parts to stop when traveling between work areas or resetting the wheel height and position.

TRANSPORTING UNIT

ALWAYS shut off engine, and close fuel shut-off valve or drain fuel when transporting unit on a truck or trailer. Tie unit down securely. Do not tie down by linkages, guards, cables or other parts that may be damaged.

FOR BEST PERFORMANCE

Whenever possible keep the wheels on a hard, flat surface.
 Edge thawed ground. Frozen or rocky ground can damage blade.
 Dry, hard surfaces will raise a lot of dust.
 When possible edge ground that is moist but not muddy or saturated.

MAINTENANCE SCHEDULE



WARNING: AVOID INJURY.
 Read and understand the entire *Safety* section before proceeding.

IMPORTANT: Proper maintenance can prolong the life of unit. The following chart shows the recommended service schedule. Refer to the maintenance instructions in the Engine Manual for additional information.

Interval	Task	Action
Each Use	Check Safety Interlock System	WARNING: Safety interlock system failure and improper operation of unit can result in death or serious injury. Test this system each time the unit is operated. If this system does not function as described, do not operate until repairs are made. See <i>Operator Presence Control</i> on page 9.
	Clean Unit	Remove all dirt, grease, leaves, etc.
	Check Tires	Make sure the tires are positioned correctly for the intended job and are securely fastened. See <i>Rear Wheel Height Adjuster</i> on page 10 and <i>Front Wheel Adjuster</i> on page 11.
	Check Edger Blade and Mounting Hardware	Make sure the blade is free of nicks, broken ends, thinned metal or other damage. Make sure the hardware is tightened to 30 – 62 lbf-ft. (40.7 – 84.0 N•m). See <i>Blade Change</i> on page 14.
	Check Guards and Mounting Hardware	Make sure all guards are securely fastened and are in good repair.
	Check Engine Oil Level	Check the engine oil level according to instructions provided in the engine owner's manual.
25 Hours or Every Season	Check Engine Air Filter	Check the engine air filter for dirt and debris according to instructions provided in the engine owner's manual. Clean or replace as needed.
	Lubrication	Apply a light oil to the pivot shaft and all sliding joints, to the front axle shaft and to the wheel bushings. Change engine oil according to instruction provided in the engine owner's manual.
50 Hours or Every Season	Check Belt	Check the belt for cuts, nicks or abrasions. Replace worn or damaged belts. See <i>Belt Change</i> on page 14.
	Check Spindle Bearings	Check the spindle bearings for wear or damage. Replace as needed.

SERVICE AND ADJUSTMENTS



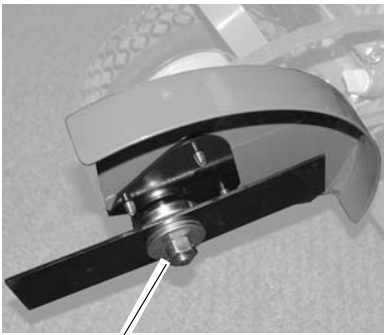
WARNING: AVOID INJURY.
Read and understand the entire
Safety section before
proceeding.

Blade Change



WARNING: Blades are sharp
and can cut you. Wear sturdy
gloves warning

1. Stop engine, wait for all moving parts to stop and hot parts to cool. Make sure the engine shut off switch is in the off position.
2. Block the blade with a wooden block.
3. Remove the mounting hardware and blade from the unit.
4. Install the new blade with the original mounting hardware, and tighten the lock nut to 30 – 62 lbf-ft. (40.7 – 84.0 N•m).



Remove blade bolt, blade,
washer and bearing cap.

Figure 11

Belt Change

1. Stop engine, wait for all moving parts to stop and hot parts to cool. Make sure the engine shut off switch is in the off position.
2. Raise the cutting head all the way up.
3. Remove the belt finger from the engine.

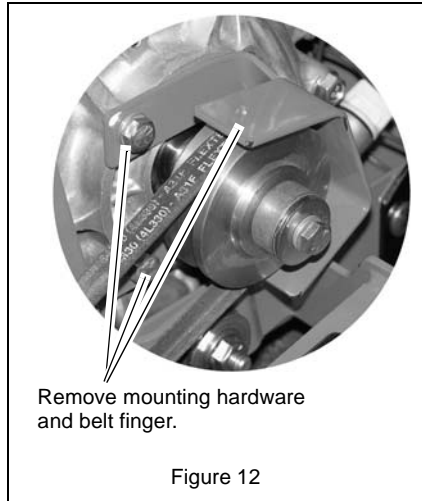


Figure 12

4. Remove the blade and mounting hardware.
5. Remove the belt from the front pulley and from the engine pulley.

Remove blade and then
remove belt from front pulley
and engine pulley.

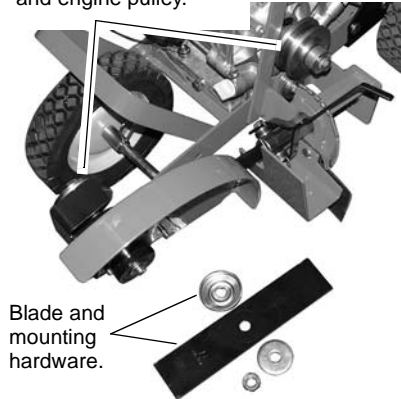


Figure 13

6. Install a new belt on the engine pulley and on the front pulley. Make sure there are no twists or kinks in the belt.
7. Replace the blade and mounting hardware and tighten the blade mounting hardware to 30 – 62 lbf-ft. (40.7 – 84.0 N•m).
8. Replace the belt finger.

Oil Change

NOTE: Follow instructions provided in the engine owner's manual.

1. Stop engine, wait for all moving parts to stop and hot parts to cool. Make sure the engine shut off switch is in the off position.
2. Place an appropriate pan under the oil drain opening, and remove oil drain plug from engine.
3. After all oil has drained, replace the drain plug.
4. Fill engine with appropriate engine oil for your conditions. See Engine Manual for types of oil and operating ranges. Do not overfill.

STORAGE

Short Term Storage

IMPORTANT: NEVER clean unit with high-pressure water or store unit outdoors.

Remove all dirt, grease, leaves, etc. Store in a clean dry area.

Inspect unit for signs of wear or damage. Ensure all fasteners are properly tightened.

Long Term Storage

Follow all instructions under *Short Term Storage*.

Store in a clean dry area.

Drain fuel from fuel tank.

Refer to Engine Manual for the proper engine storage procedures.

Touch up all scratched or chipped paint surfaces.

Fuel System

Gasoline left in the fuel system for extended periods without a stabilizer will deteriorate, resulting in gum deposits in the system. These deposits can damage the carburetor and the fuel hoses, filter and tank. Prevent deposits from forming in the fuel system during storage by adding a quality fuel stabilizer to the fuel. Follow the recommended mix ratio found on the fuel stabilizer container.

To treat the fuel system for storage:

1. Add fuel stabilizer according to manufacturers's instructions.
2. Run engine for at least 10 minutes after adding stabilizer to allow it to reach the carburetor.

NEVER store the engine with fuel in the fuel tank inside of a building with potential sources of ignition.

TROUBLESHOOTING

PROBLEM	PROBABLE CAUSE	CORRECTION
Engine Won't Start	<ol style="list-style-type: none"> 1. Engine start switch turned off. 2. Fuel tank empty. 3. Blade engaged. 	<ol style="list-style-type: none"> 1. Turn switch on. See <i>Starting the Engine</i> on page 12. 2. Fill engine with appropriate fuel. See engine owner's manual for fuel type and capacity. 3. The cutting depth adjuster is out of the neutral position. See <i>Cutting Depth Adjuster</i> on page 9.
Blade Won't Rotate	<ol style="list-style-type: none"> 1. Loose or damaged belt. 2. Seized bearings. 3. Sliding shaft seized. 	<ol style="list-style-type: none"> 1. Replace belt. 2. Replace blade bearings. 3. Lubricate the sliding pivot shaft.
Wheels Squeak	<ol style="list-style-type: none"> 1. Bushings dry. 	<ol style="list-style-type: none"> 1. Lubricate the wheel bushings with a light oil.
Front Wheel Does Not Slide	<ol style="list-style-type: none"> 1. Front wheel bushings dry. 	<ol style="list-style-type: none"> 1. Lubricate the wheel bushings with a light oil.

SERVICE PARTS

See your authorized Ariens dealer for Genuine OEM service parts.

Part No.	Qty	Description
03789800	1	Blade
07200507	1	Belt
20020001	1	Spark Plug
20020002	1	Air Filter
00592900	1	Gas Stabilizer (4 oz.)
07100739	1	Front/Rear Wheel

SPECIFICATIONS

Model	986101
Description	Edger
Engine	Subaru OHC SP170
Displacement - in³ (cc)	10 (169)
Fuel Capacity - gal. (L)	.90 (3.4)
Engine Oil - oz. (L)	20 (0.60) See Engine Manual for Type
Blade	9" Blade
Cutting Positions	4
Cutting Angle	70 - 180 degrees
Length- in. (cm)	44.75 (113.7)
Width- in. (cm)	19.75 (50.2)
Height - in. (cm)	38.0 (96.5)
Weight - lbs (kg)	72.0 (32.7)
Warranty	Two-Year Consumer



Two-Year Limited Lawn and Garden Walk Behind Warranty

This warranty statement applies only to 21-Inch Walk Behind Lawn Mowers, Wide Area Walks, Super Striper Mowers, Tillers, String Trimmers, Log Splitters, Edgers and Power Brushes

Ariens Company (Ariens) warrants to the **original purchaser** that Ariens and Gravely brand consumer products manufactured and sold by Ariens after December 31, 2007 will be free from defects in material and workmanship for a period of two years after the date of purchase. An authorized Ariens dealer (Ariens brand products) or Gravely dealer (Gravely brand products) will repair any defect in material or workmanship, and repair or replace any defective part, subject to the conditions, limitations and exclusions set forth herein. Such repair or replacement will be free of charge (labor and parts) to the original purchaser except as noted below.

One-Year Limited Warranty on Professional/Commercial 21-inch Walk-Behind Lawn Mowers

21-inch walk-behind lawn mowers labeled or designated by Ariens as a Professional/Commercial product put to any business use, agricultural, commercial, or industrial, are warranted to the **original purchaser** to be free from defects in material and workmanship for a period of one year after the date of purchase.

90-Day Limited Warranty on Service Parts and Accessories

Genuine Ariens or Gravely brand service parts and accessories are warranted to be free from defects in material and workmanship for a period of 90 days after the date of purchase. An authorized Ariens or Gravely dealer will repair or replace any such part or accessory free of charge, except for labor, during that period.

Except for 21-inch walk-behind lawn mowers labeled or designated by Ariens as a Professional/Commercial product, the duration of all warranties herein applies only if the product is put to personal use around a household or residence. If the product is put to any business use, agricultural, commercial, or industrial, then the duration of these warranties shall be 90 days after the date of purchase. If any product is rented or leased, then the duration of these warranties shall be 90 days after the date of purchase.

Exceptions, Limitations, Exclusions

Customer Responsibilities

Register the product immediately at the time of sale. If the dealer does not register the product, the customer must complete the product registration card in the literature package and return it to the Ariens Company, or register the unit online at www.ariens.com or www.gravely.com.

To obtain warranty service, the **original purchaser** must:

- Perform the maintenance and minor adjustments explained in the owner's manual.
- Promptly notify Ariens or an authorized Ariens or Gravely service representative of the need for warranty service.
- Transport the product to and from the place of warranty service.
- Have the warranty service performed by an authorized Ariens or Gravely service representative.

To find an Ariens or Gravely authorized service representative, contact Ariens at:

655 W. Ryan Street
Brillion, WI 54110
(920) 756 - 2141
www.ariens.com
www.gravely.com

Exceptions and Limitations

- Batteries are warranted only for a period of 12 months after date of purchase, on a prorated basis. For the first 90 days of the warranty period, a defective battery will be replaced free of charge. If the applicable warranty period is more than 90 days, Ariens will cover the prorated cost of any defective battery, for up to 12 months after the date of purchase.

Exclusions – Items Not Covered by This Warranty

- Engines and engine accessories are covered only by the engine manufacturer's warranty and are not covered by this warranty.
- Parts that are not genuine Ariens or Gravely service parts are not covered by this warranty.
- The following maintenance, service and replacement items are not covered by this warranty unless they are noted in the Limitations section above: lubricants, spark plugs, oil, oil filters, air filters, fuel filters, brake linings, brake arms, shoes, runners, scraper blades, shear bolts, mower blades, mower vanes, tines, brushes, headlights, light bulbs, knives, cutters.
- Any misuse, alteration, improper assembly, improper adjustment, neglect, or accident which requires repair is not covered by this warranty.
- This warranty applies only to products purchased in the United States (including Puerto Rico) and Canada. In all other countries, contact place of purchase for warranty information.

Disclaimer

Ariens may from time to time change the design of its products. Nothing contained in this warranty shall be construed as obligating Ariens to incorporate such design changes into previously manufactured products, nor shall such changes be construed as an admission that previous designs were defective.

LIMITATION OF REMEDY AND DAMAGES

Ariens Company's liability under this warranty, and under any implied warranty that may exist, is limited to repair of any defect in workmanship, and repair or replacement of any defective part. Ariens shall not be liable for incidental, special, or consequential damages (including lost profits). Some states do not allow the exclusion of incidental or consequential damages, so the above limitation or exclusion may not apply to you.

DISCLAIMER OF FURTHER WARRANTY

Ariens Company makes no warranty, express or implied, other than what is expressly made in this warranty. If the law of your state provides that an implied warranty of merchantability, or an implied warranty of fitness for particular purpose, or any other implied warranty, applies to Ariens Company, then any such implied warranty is limited to the duration of this warranty. Some states do not allow limitations on how long an implied warranty lasts, so the above limitation may not apply to you.

This warranty gives you specific legal rights, and you may also have other rights which vary from state to state.



Ariens Company
655 West Ryan Street
Brillion, WI 54110-1072
920-756-2141
Fax 920-756-2407
www.ariens.com

 **WARNING** 

The engine exhaust from this product contains chemicals known to the State of California to cause cancer, birth defects or other reproductive harm.