

# Instruction Sheet

## Kit Number: 71514100

### HEADLIGHT KIT



**WARNING: FAILURE TO FOLLOW INSTRUCTIONS** could result in personal injury and/or damage to unit. Read, understand, and follow all safety practices in Operator's Manual before beginning.

### Package Contents

Check the contents of your kit for the parts listed below. Also see Figure 1.

Item	Description	Qty	Ariens P/N
1	6-LED Light Fixture	1	04821100
2	Headlight Mounting Bracket (Ariens models only)	1	04853351
3	Light Kit Harness	1	04853500
4	3A Mini ATC Fuse	1	21200001

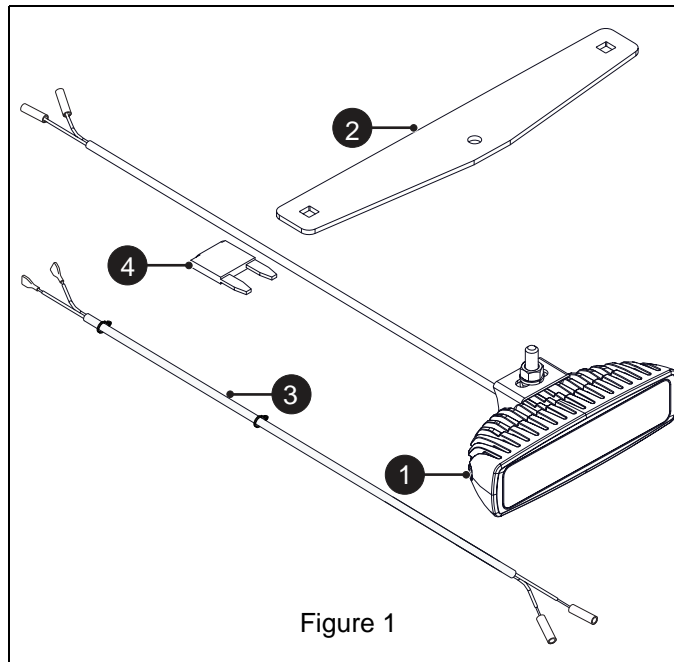


Figure 1

### Installation

1. Stop engine, remove key, and engage parking brake.
2. Wait for all moving parts to stop and for hot parts to cool.
3. Disconnect spark plug wire.

4. Ariens models: Mount light fixture (item 1) to headlight mounting bracket (item 2). See Figure 2.

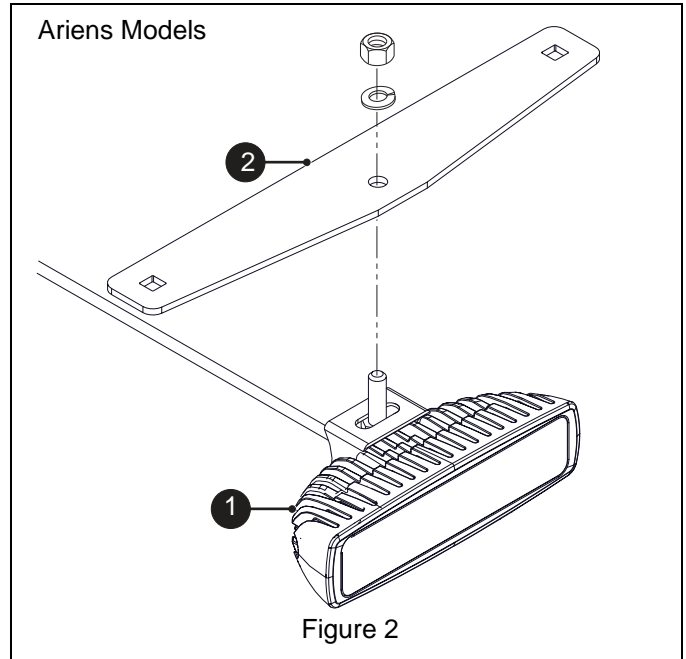


Figure 2

5. Ariens models: Remove and retain two 5/16" locking top flange nuts from bumper mounting brackets. Install headlight assembly (items 1 and 2) on two 5/16 x 3/4" round head square neck bolts and retain with locking top flange nuts just removed. See Figure 3.

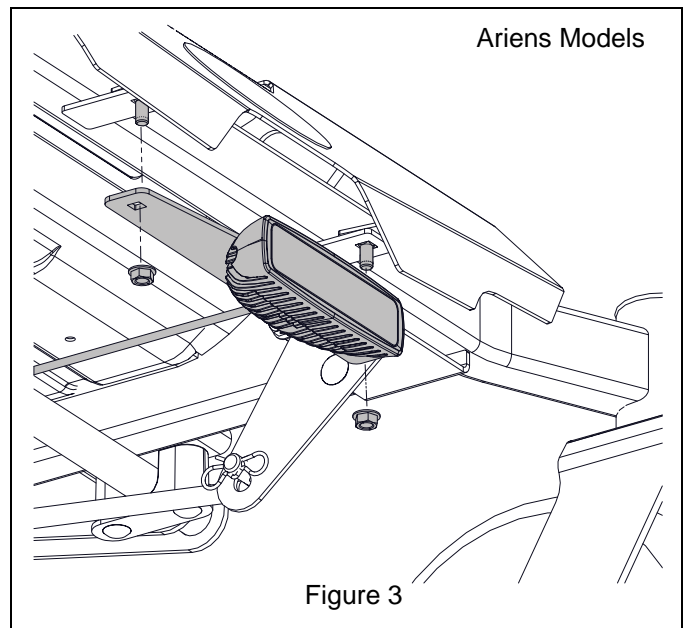
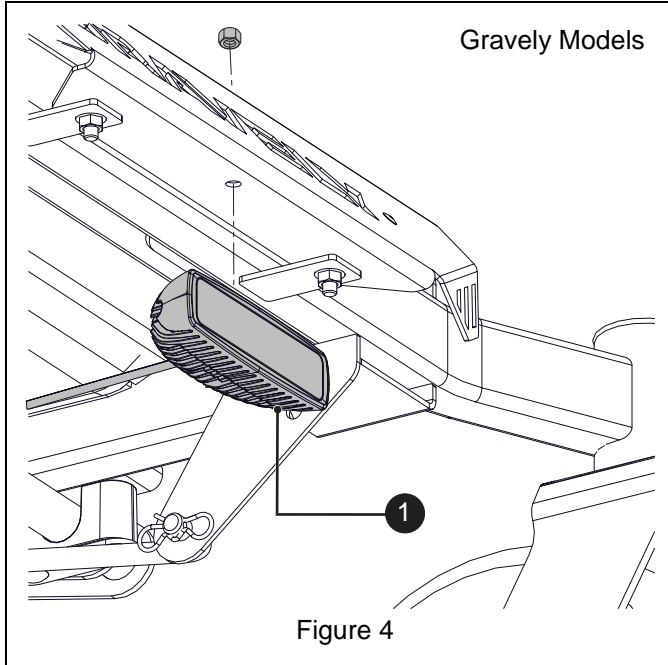
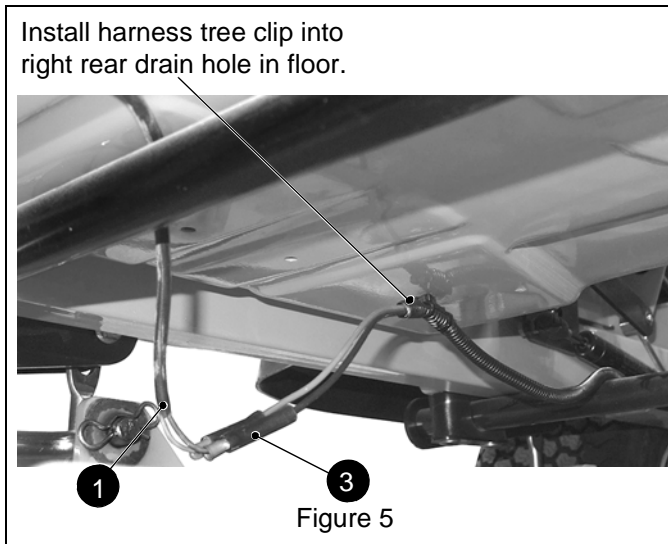


Figure 3

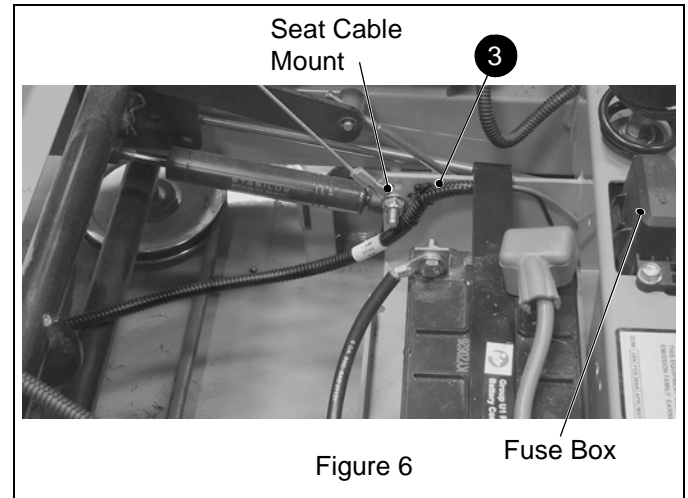
6. Gravely models: Locate hole in bottom center of front bumper and mount light fixture (item 1). See Figure 4.



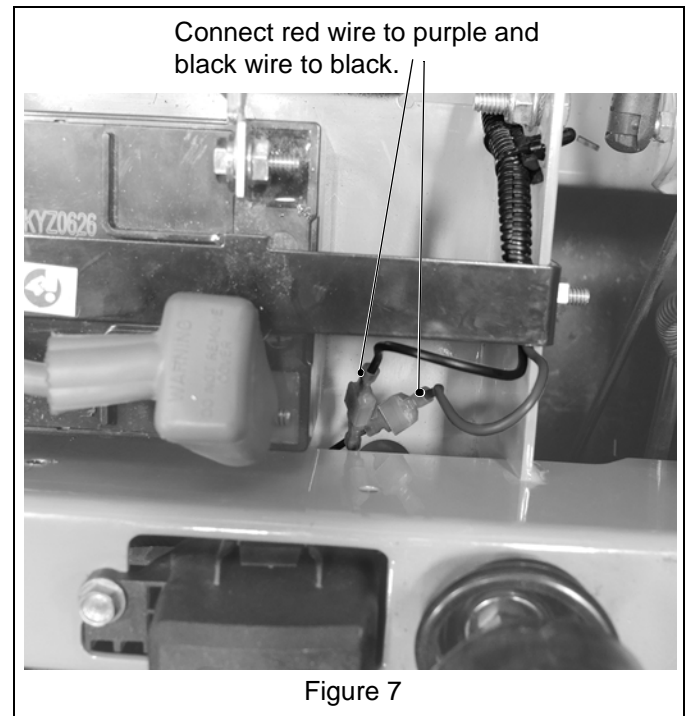
7. Connect harness bullet connectors (item 3) to light fixture wires. Attach red wire to red wire and black wire to black wire. Route harness over front deck lift tube back to right rear of unit.
8. Insert front tree clip on harness into right rear drain hole in floor. See Figure 5.



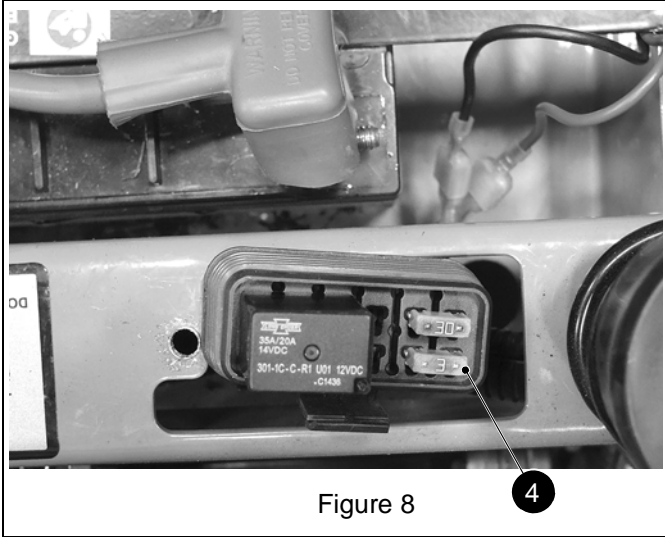
9. Tip seat forward. Route harness between brake lever tube and deck-lift tube and back to fuse box.
10. Insert rear tree clip on harness into hole in bracket behind seat cable mount. See Figure 6.



11. Locate purple and black auxiliary wires on unit wire harness under fuse box. Connect red harness wire to purple auxiliary wire. Connect black harness wire to black auxiliary wire. See Figure 7.



12. Remove taptite screw retaining fuse box to frame and remove fuse box cover. Install 3-Amp fuse (item 4) in open fuse box slot. See Figure 8.



13. Reinstall cover on fusebox and install fusebox in frame.
14. Reconnect spark plug wire