



FORCE 5/6 Front Air Diverter Kit




**BILLY GOAT FORCE BLOWER
Front Air Director Kit**

Replacement parts

FRONT AIR DIRECTOR
<i>Simple to attach, allowing air to be directed forward.</i>

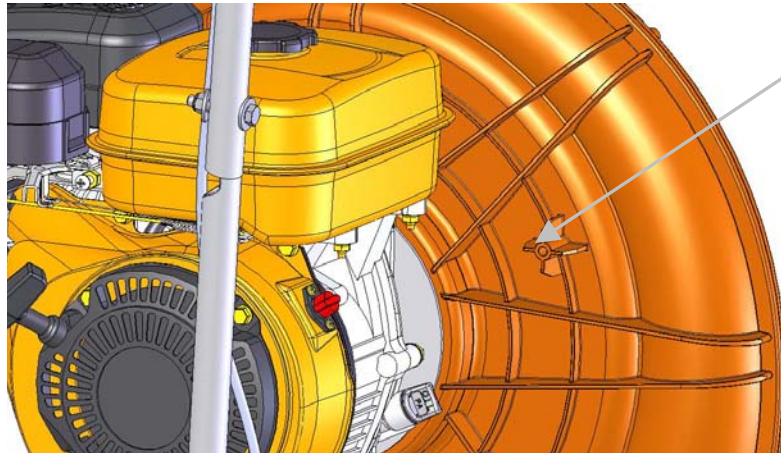
PN# 441127

AIR DIRECTOR BRACKET
<i>Attaches to the housing to allow the front air director to be transported with the unit at all times.</i>

PN# 441128



FORCE 5/6 Front Air Diverter Kit

To install the front air director bracket, attach the bracket with one screw (item 2) to the back of the impeller housing using a 3/8" socket and ratchet, the loop should be away from the engine. **Note: An exhaust deflector must be in place on the Honda model to prevent heat damage to the director when stored in the bracket.**



Parts List			
	Part No.	Description	Qty
1	441127	DIRECTOR ELBOW 3"	1
2	840082	PLASTITE SCREW 1/4-10 X 3/4"	1
3	441128	BRACKET DIRECTOR ELBOW	1

FRONT DIRECTOR POSITIONING

The removable front director adapter can be slipped into the exhaust cone to direct the air stream forward. First turn off engine, and then simply squeeze and fold the larger end of the diverter and while folded place into the interior of the cone up to the ring on the director. Then let go and allow it to return to its normal shape, the airflow coming out of the unit will keep the director in place. To remove the director, simply squeeze around the ring and pull the director out. This air director is extremely useful for cleaning out long cracks in pavement or for cleaning under bushes, building overhangs or along curbs.

⚠ WARNING: The unit can become more difficult to handle and will be pushed backwards by the air exiting the unit. Keep your hands on the unit at all times when using the front air director. Please note that the Aim-N-Shoot™ feature will not function when the Front Diverter is installed.

