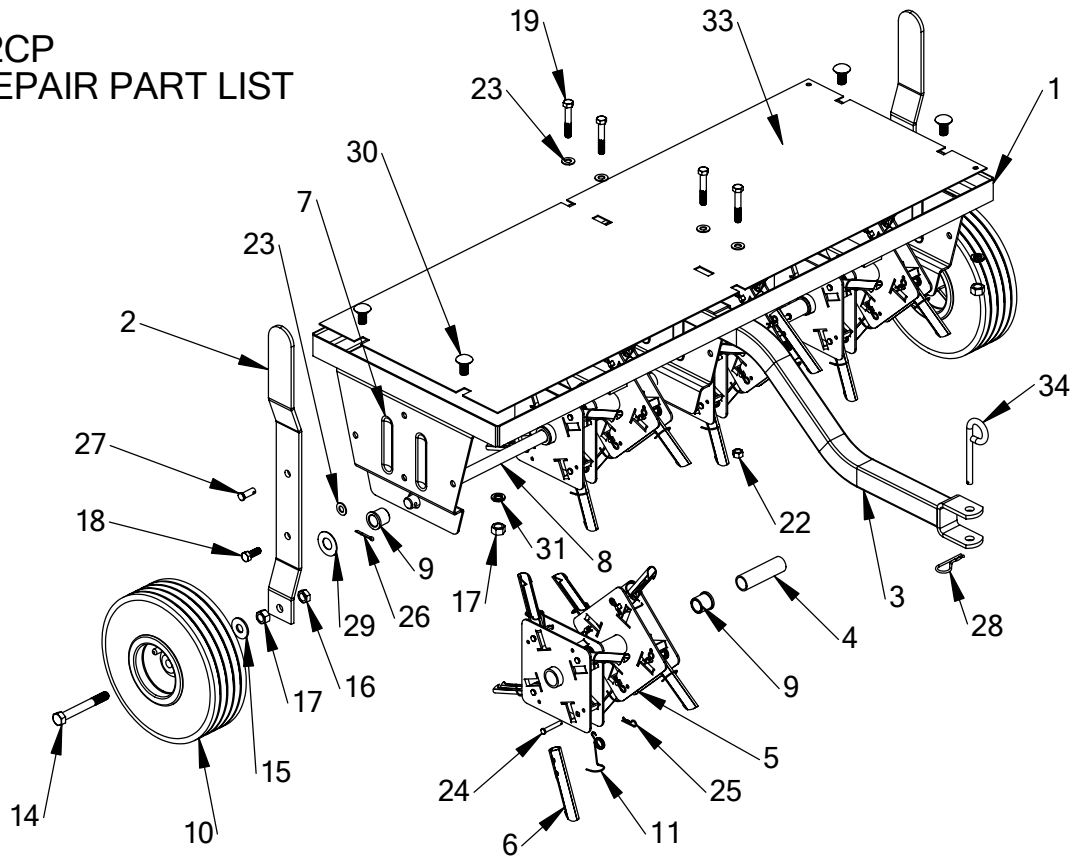
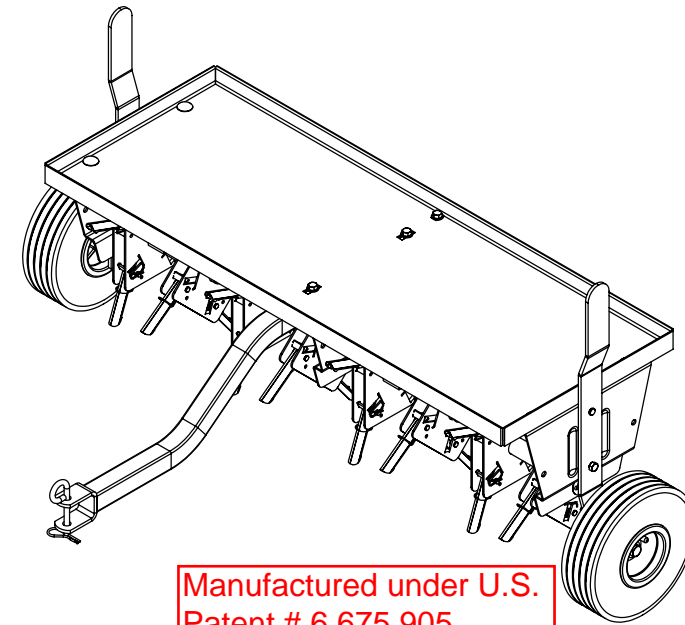


# 42CP REPAIR PART LIST



# 42CP 42" CORE PLUGGER ASSEMBLY MANUAL



Manufactured under U.S.  
Patent # 6,675,905

REF. NO.	PART NO.	AMT.	DESCRIPTION	REF. NO.	PART NO.	AMT.	DESCRIPTION
1	42-01	1	Frame assembly	17	STDNH500	6	1/2" Hex nut
2	42-02	2	Wheel mount handle	18	STDBH3751000	2	3/8" x 1" Hex bolt
3	42-03	1	Drawbar assembly	19	STDBH3752250	4	3/8" x 2 1/4" Hex bolt
4	42-04	3	Tube spacer	22	STDNC375	6	3/8" Lock nut
5	42-05	4	Plugger plate assembly	23	STDWF375	6	3/8" Flat washer
6	42-06	32	Plugger tine	24	42-24	32	1/4" Clevis pin
7	42-07	3	Support plates	25	42-25	32	Small hairpin
8	42-08	1	Axle	26	STDCP1881500	2	3/16" x 1 1/2" Cotter
9	42-09	8	Bushing	27	STDPC3751000	2	3/8" x 1" Clevis pin
10	42-10	2	Wheel	28	STDPH7	3	Large hairpin
11	42-11	32	Plugger spring	29	STDWF750	2	3/4" Flat washer
12	42-12	1	Assembly manual	30	STDBC5001000	4	1/2" x 1" Carriage bolt
13	42-13	1	Bolt bag - not shown	31	STDWSL500	4	1/2" Split lock washer
14	STDBH5004000	2	1/2" x 4" Hex bolt	32	42-32	1	Decal
15	STDWF500	2	1/2" Flat washer	33	42-33	1	Top plate
16	STDNC500	2	1/2" Lock nut	34	STDHP375	1	Hitch pin

**CAUTION:**  
READ AND FOLLOW  
ALL SAFETY RULES  
AND INSTRUCTIONS  
BEFORE USING  
THIS EQUIPMENT

## FULL ONE-YEAR WARRANTY

If this product fails due to a defect in material or workmanship within one year from the date of purchase, Ohio Steel will at its option repair or replace it free of charge. This warranty excludes Springs, Tines, Tires, and Wheels; which are expendable and become worn during normal use.

This warranty does not cover:

- Repairs necessary because of operator abuse or negligence.
- Equipment used for commercial or rental purposes.
- Paint that is worn or faded due to normal use or exposure. Please note that it is a normal occurrence during use and therefore is not covered by this limited warranty.

Contact your nearest Ohio Steel to arrange for product repair, or return this product to place of purchase for replacement.

This warranty gives you specific legal rights, and you may also have other rights, which vary from state to state. This Warranty applies only while this product is in use in the United States.

Ohio Steel Industries  
Columbus, OH 43224 U.S.A.  
Visit our website: [www.ohiosteel.com](http://www.ohiosteel.com)

For missing parts or questions  
Call 1-800-652-2321

## SAFETY INSTRUCTIONS

- Use lowest ground speed when operating on slopes.
- Operate up and down slopes, never across the face of slopes.
- Do not carry passengers on plugger.
- Avoid sudden turns or maneuvers.
- This unit has sharp points, always handle with care and wear proper footwear when operating.
- Do not tow this unit on public roadways.
- It is recommended that the soil plugs be raked because of gravel or small rocks that may be present in dirt plugs that can cause damage to lawn mower blades, especially when reel type mowers are used.
- Never let children operate tractor or plugger attachment.

## OPERATION

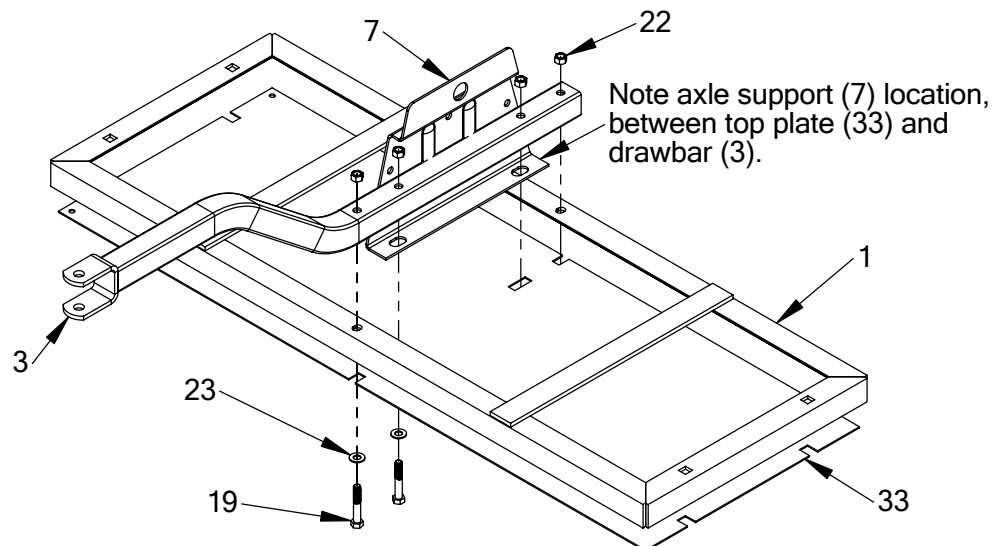
- Mow the lawn and remove loose clippings before using plugger.
- To increase plug depth, add weight to frame as required. Frame will hold up to four concrete blocks weighing 35lbs. each. Secure to frame with bungee straps not provided.
- If ground is extremely hard or dry, it should be watered down for one to two hours prior to plugging.
- DO NOT cross over walks or driveways without first raising the transport wheels. With plugger attached to tractor, remove hairpin cotter and pin wheel mount handle in forward position to operate.
- When finished plugging, pin wheel mount handle in upright position to transport. Follow all operating instructions in your tractor's owner's manual.

## MAINTENANCE / STORAGE

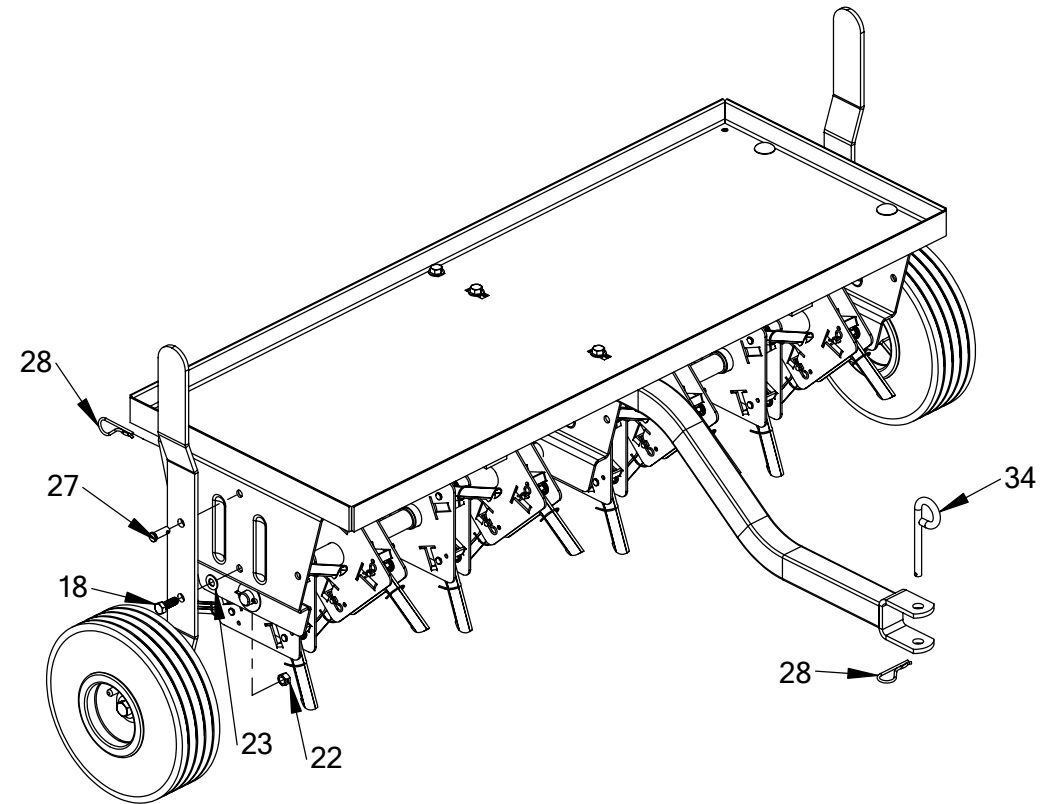
- Periodically check all nuts and bolts for tightness.
- Check tires pressure regularly.
- Lightly oil all exposed metal parts to prevent rust.
- Keep Unit clean and dry to prevent rust and corrosion.
- Store inside a clean, dry area when not in use.

## TOOLS REQUIRED

3/8" Wrench and / or Socket  
7/16" Wrench and / or Socket.  
9/16" Wrench and / or Socket.  
3/4" Wrench and / or Socket.  
Adjustable Wrench.



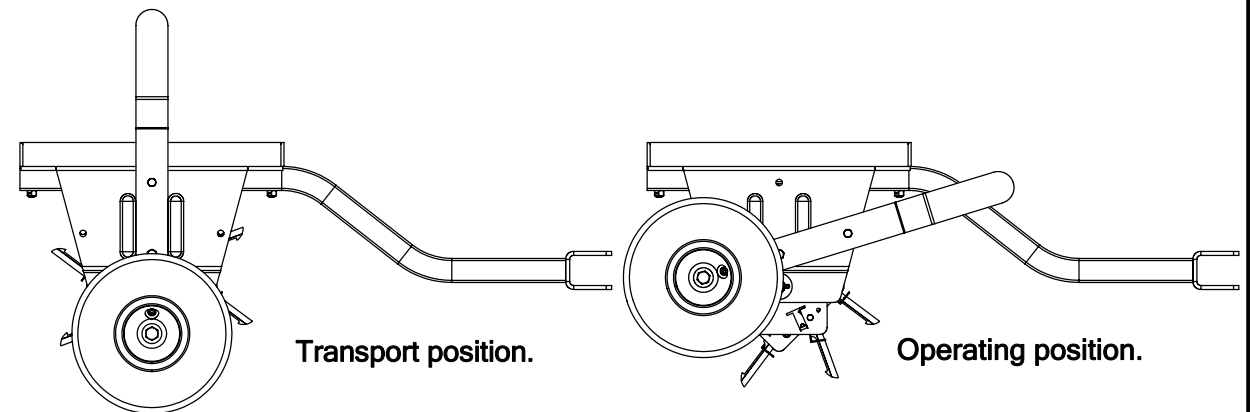
**Step 1.** Attach top plate (33) to frame assembly (1), axle support plate (7), and drawbar assembly (3) with 3/8" x 2 1/4" hex head bolts (19) and 3/8" lock nuts (22), as shown.



**Step 6.** Attach wheel assembly to frame with 3/8" x 1" bolt (18) in bottom hole as shown, add 3/8" flat washer between handle and side plate and secure with 3/8" lock nut. Adjust lock nut so handle moves freely.

Add clevis pin (27) thru top hole and secure with large hairpin (28).

Insert hitch pin (34) through draw bar (3) and attach with hairpin (28).



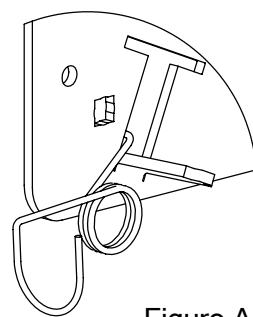
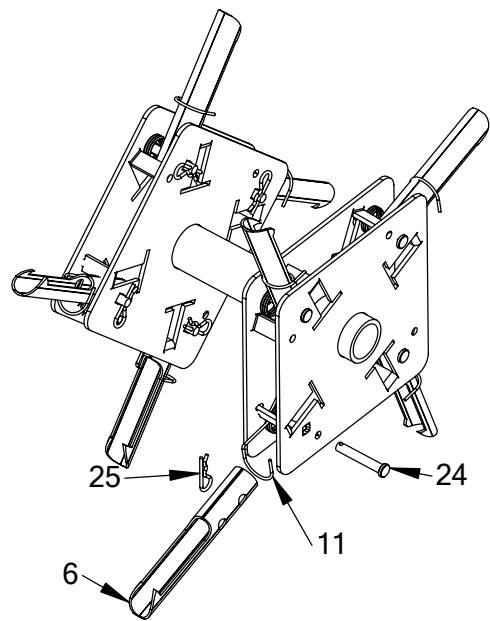


Figure A.

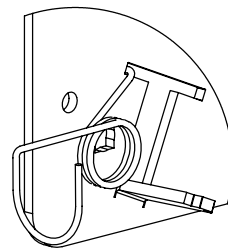


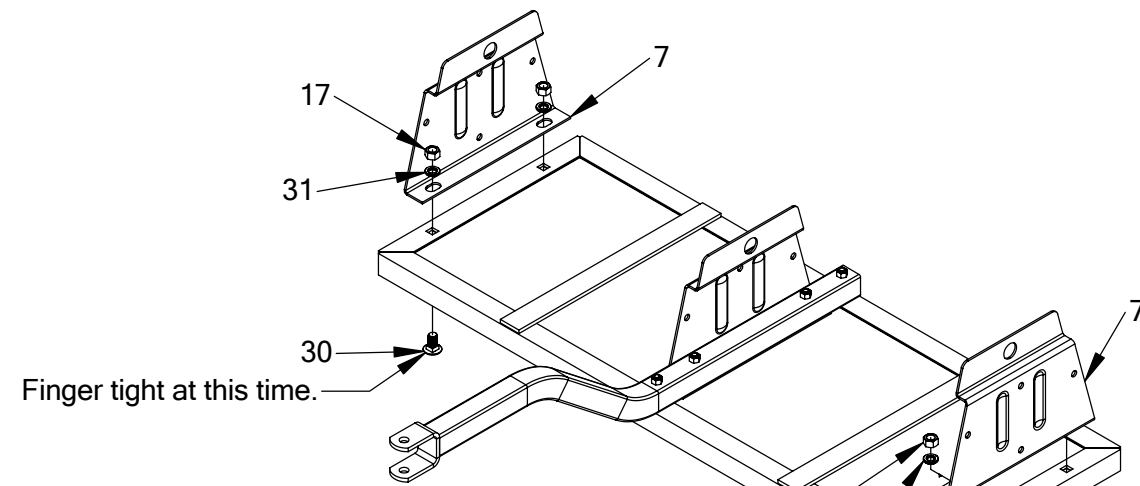
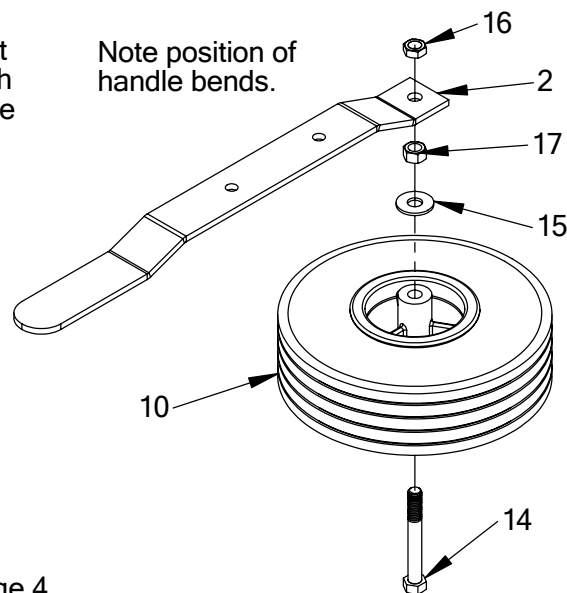
Figure B.

**Step 4.** Installing springs and tines. One tine has been installed as a guide for the rest. Hook the curled end of the spring into the cut out as shown in Figure A. Push on spring coils. The hooked end will slide along edge until locked in the slot as shown in Figure B.

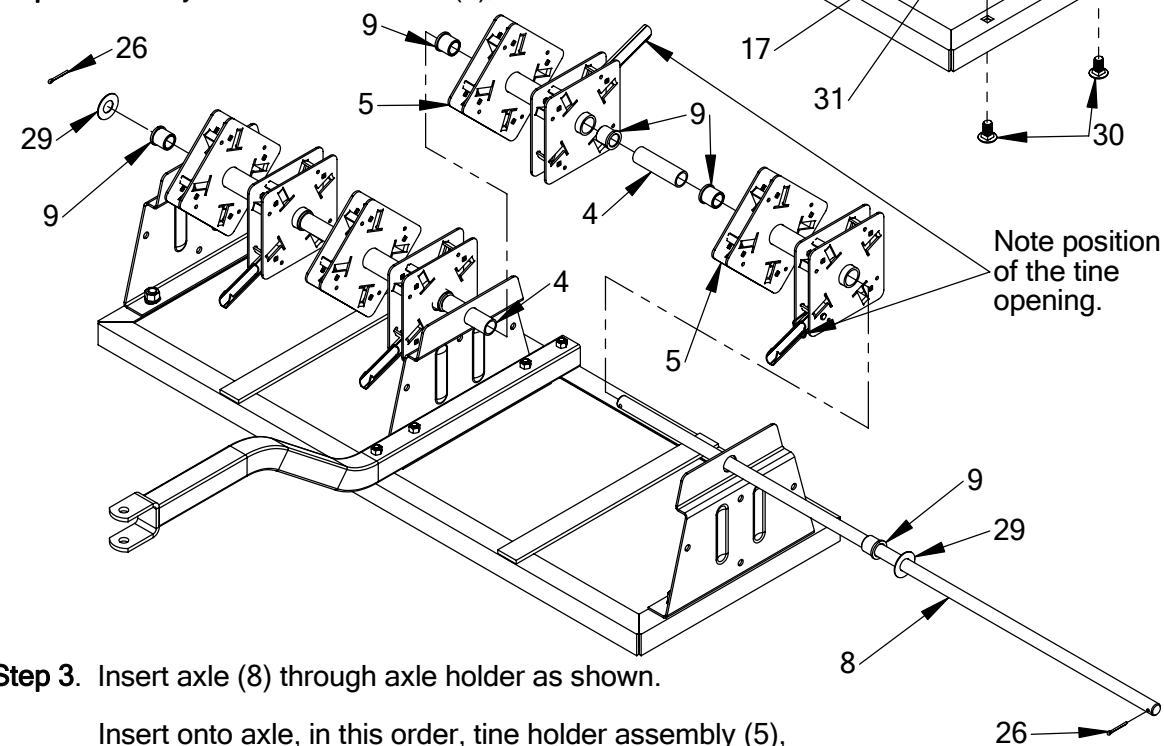
Add tine (6) between plates and through half loop in spring, align back hole in tine with hole in plate and insert clevis pin (24), lock in place with small hair pin (25).

**Step 5.** Insert bolt (14) through wheel (10), flat washer (15) and tighten hex nut (17) with fingers. Add wheel handle (2) and secure with lock nut (16).

Make appropriate adjustment so that wheel moves freely without any wobble. May need to loosen or tighten hex nut and / or lock nut.



**Step 2.** Loosely attach axle holders (7), to frame as shown.



**Step 3.** Insert axle (8) through axle holder as shown.

Insert onto axle, in this order, tine holder assembly (5), flanged bushing (9), tube spacer (4), flanged bushing (9), tine holder assembly (5), flanged bushing (9), tube spacer (4), repeat for other half.

Insert flanged bushing (9) through axle holder (7) and add axle washer (29).

Insert cotter pin (26) into axle. Lock in place by spreading ends of cotter pin.

Tighten all bolts.