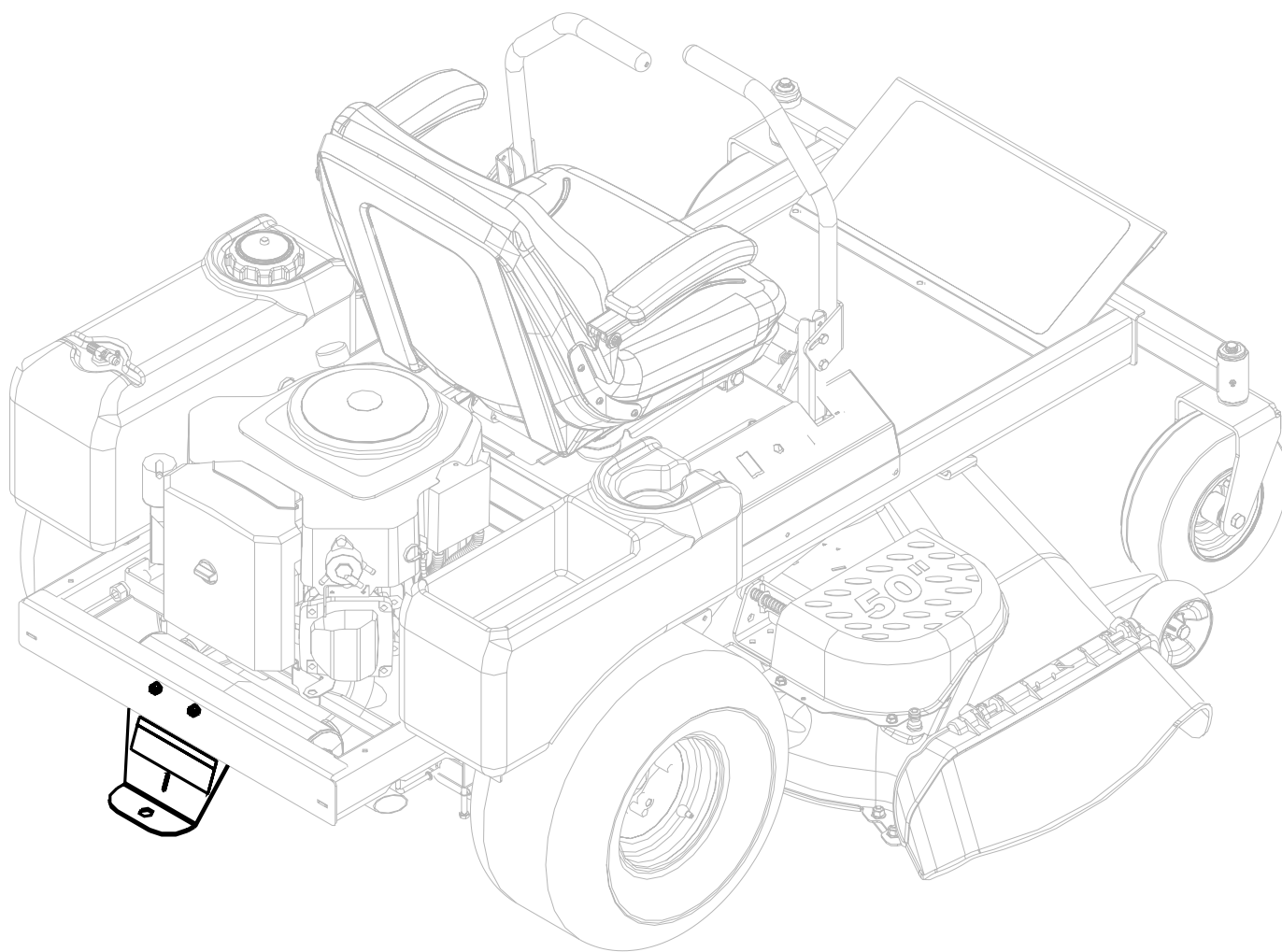




Z-Force Tow Hitch Kit

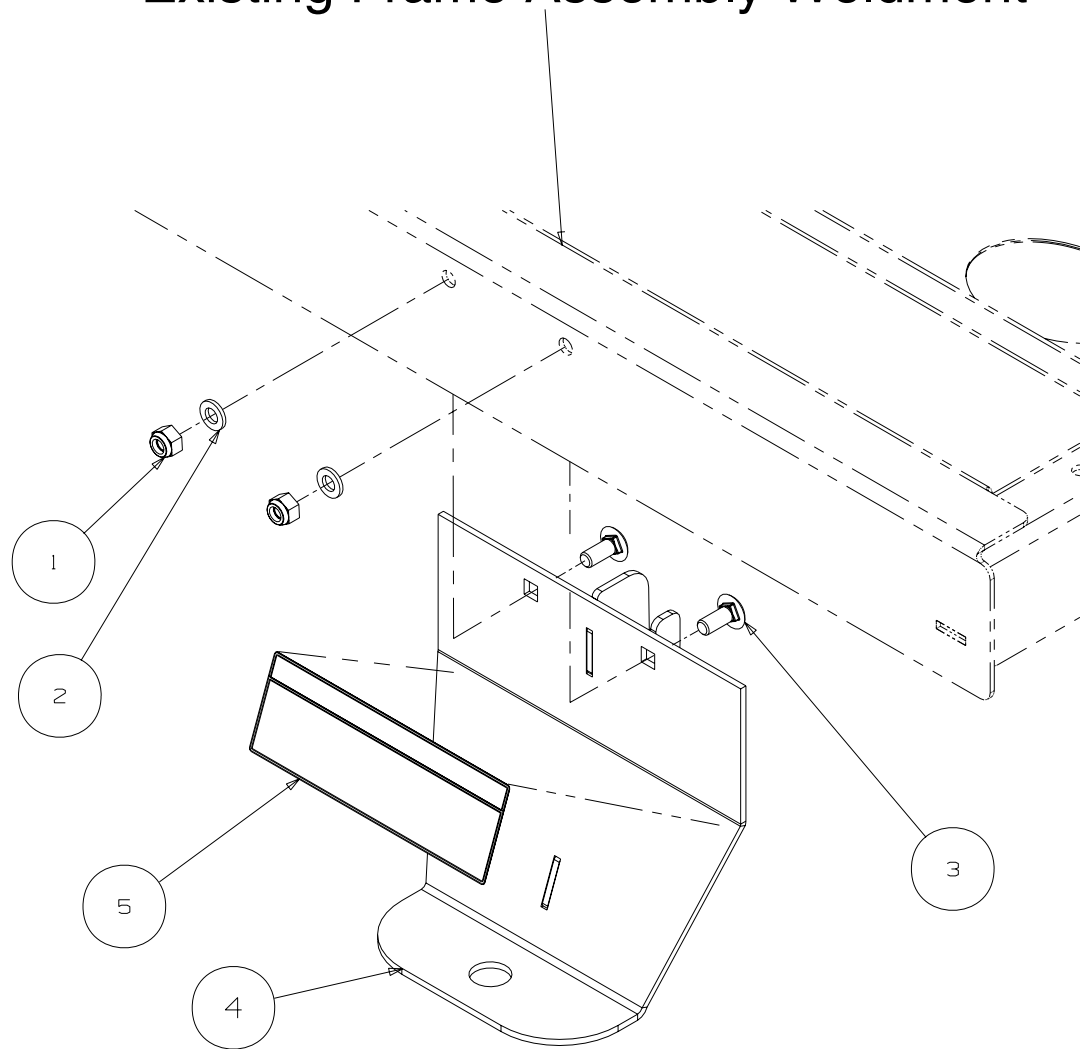
590-863-100



INSTRUCTION SHEET

Figure 1 and Parts List

Existing Frame Assembly Weldment



Ref. No.	Part No.	Description	Qty.
1	00012165	Nylock Nut, 5/16-18	2
2	00012169	Flat Washer, .320 ID x .591 OD x .078	2
3	00020508	Carriage Bolt, 5/16-18 x .75	2
4	02002579	Hitch	1
5	02002693	Decal, Hitch Warning	1

Installation Instructions

1. Before working on machine, make sure engine is stopped and the machine has cooled. Remove the ignition key and disconnect both spark plugs.
2. Fasten Hitch Ref. 4 (02002579) to existing Frame Assembly using carriage bolts 5/16-18 x .75, washers and 5/16-18 nylock nuts. See Figure 1 below.

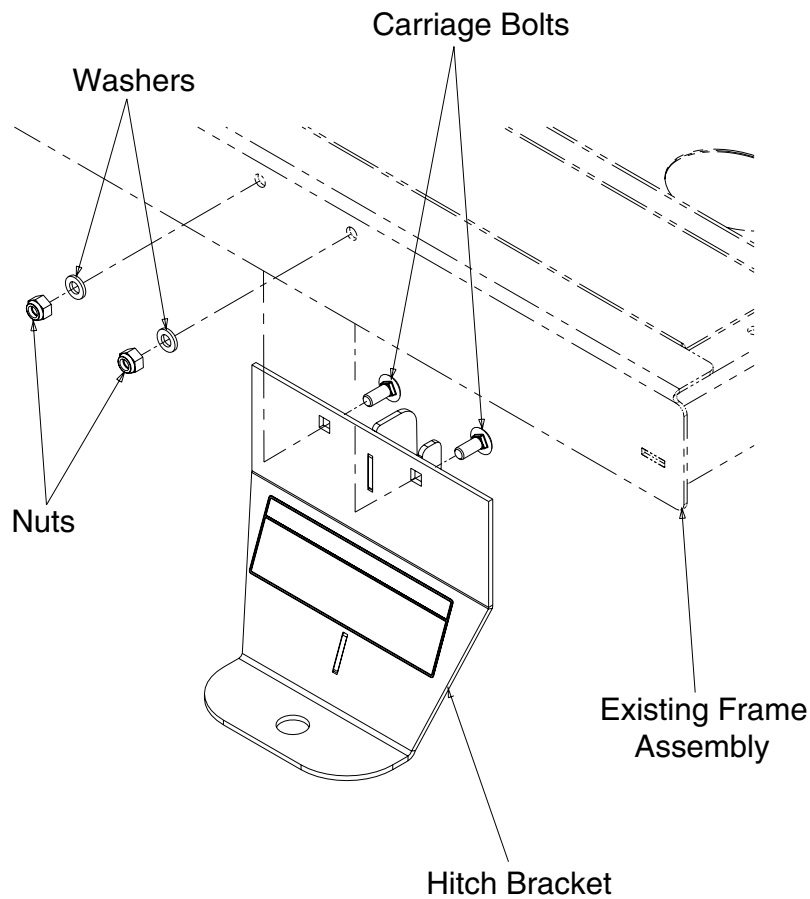


Figure 1

3. Review all printed warnings before proceeding with towing.

⚠ WARNING!

- Maximum weight on hitch is 50 lbs.
- Maximum towed load is 500 lbs.
- Never allow passengers on towed equipment.
- Loss of traction can occur on slopes, 5° (9%) maximum grade.
- Travel slowly and allow extra distance to stop.
- Use caution during turns to avoid jack-knifing.
- Use extra caution when operating in reverse.
- Do not modify hitch or repair hitch. Replace hitch if damaged.

Note: A standard 1-7/8 dia ball hitch can be mounted to the hitch through the center hole.

Cub Cadet LLC
P.O. Box 361131
Cleveland, Ohio 44136-0119

Form No. 02002697 Rev. 06-0 06/19/2006